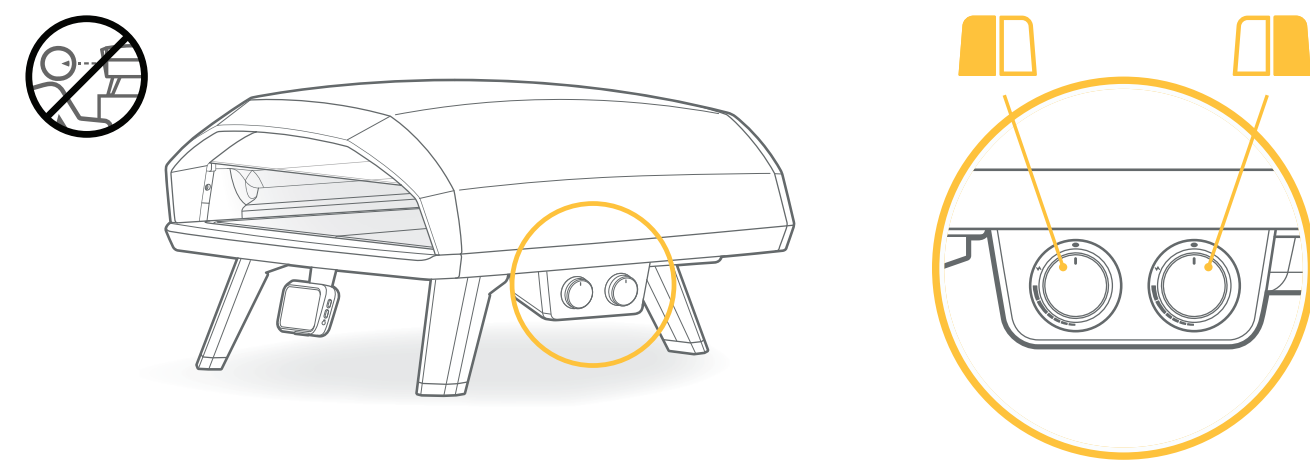




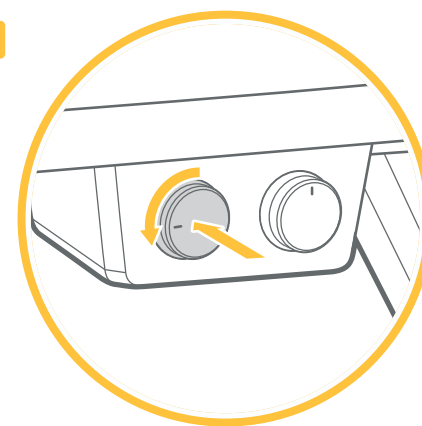
Koda 2 Max

30mbar EU

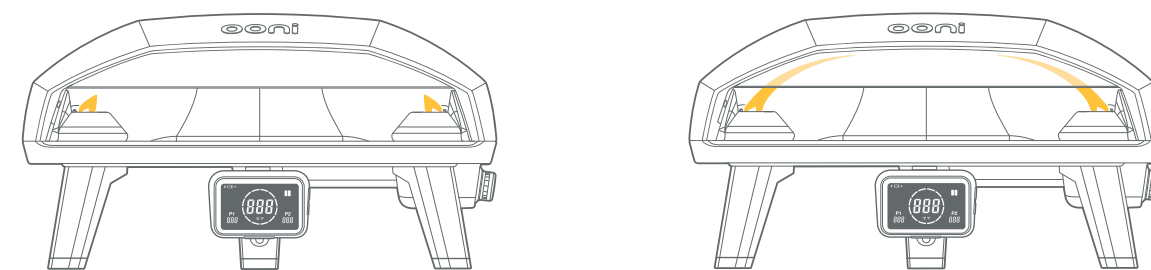
4.1



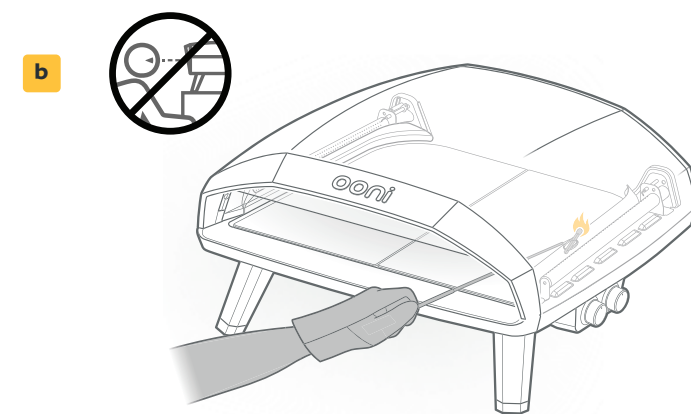
a



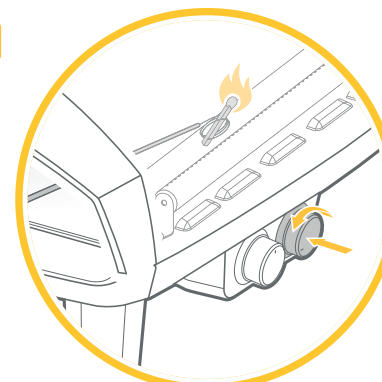
c



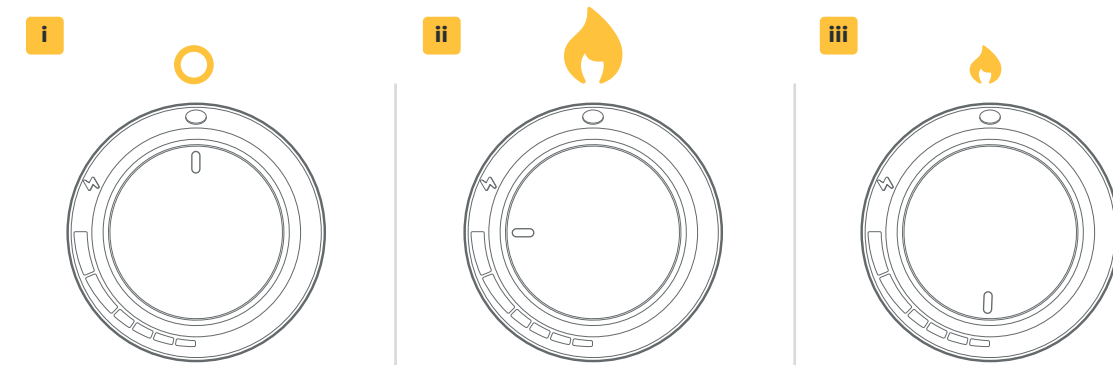
4.2



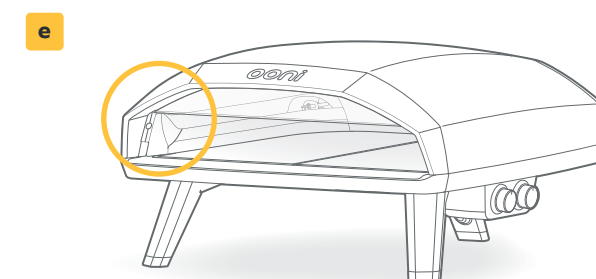
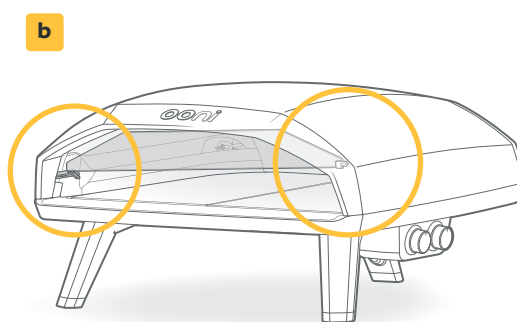
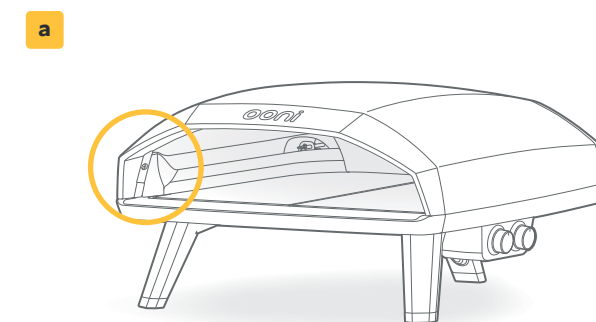
c



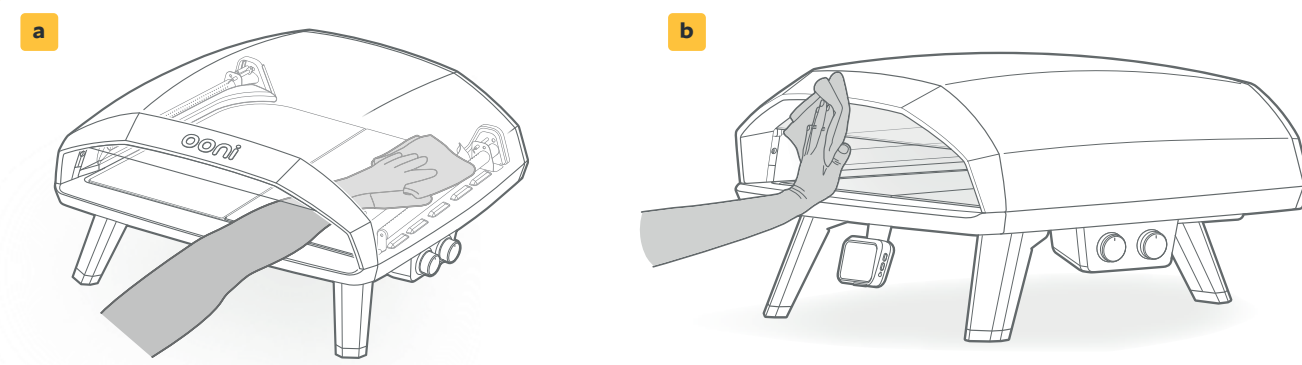
4.3



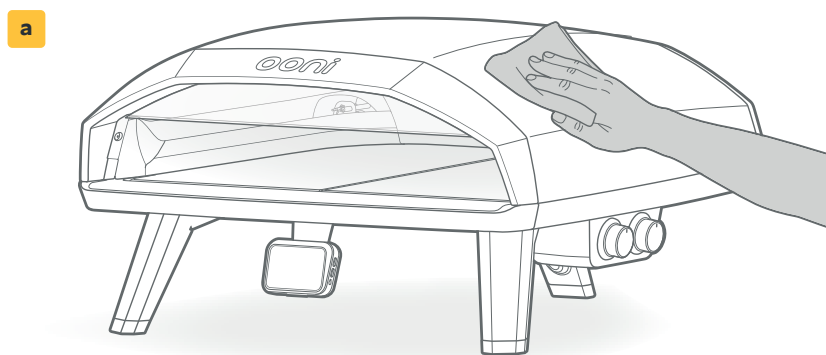
5



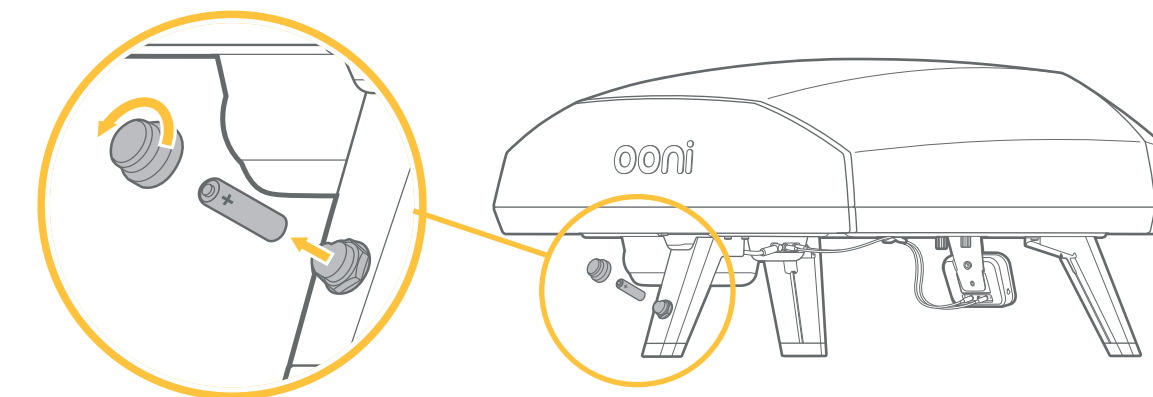
6.1

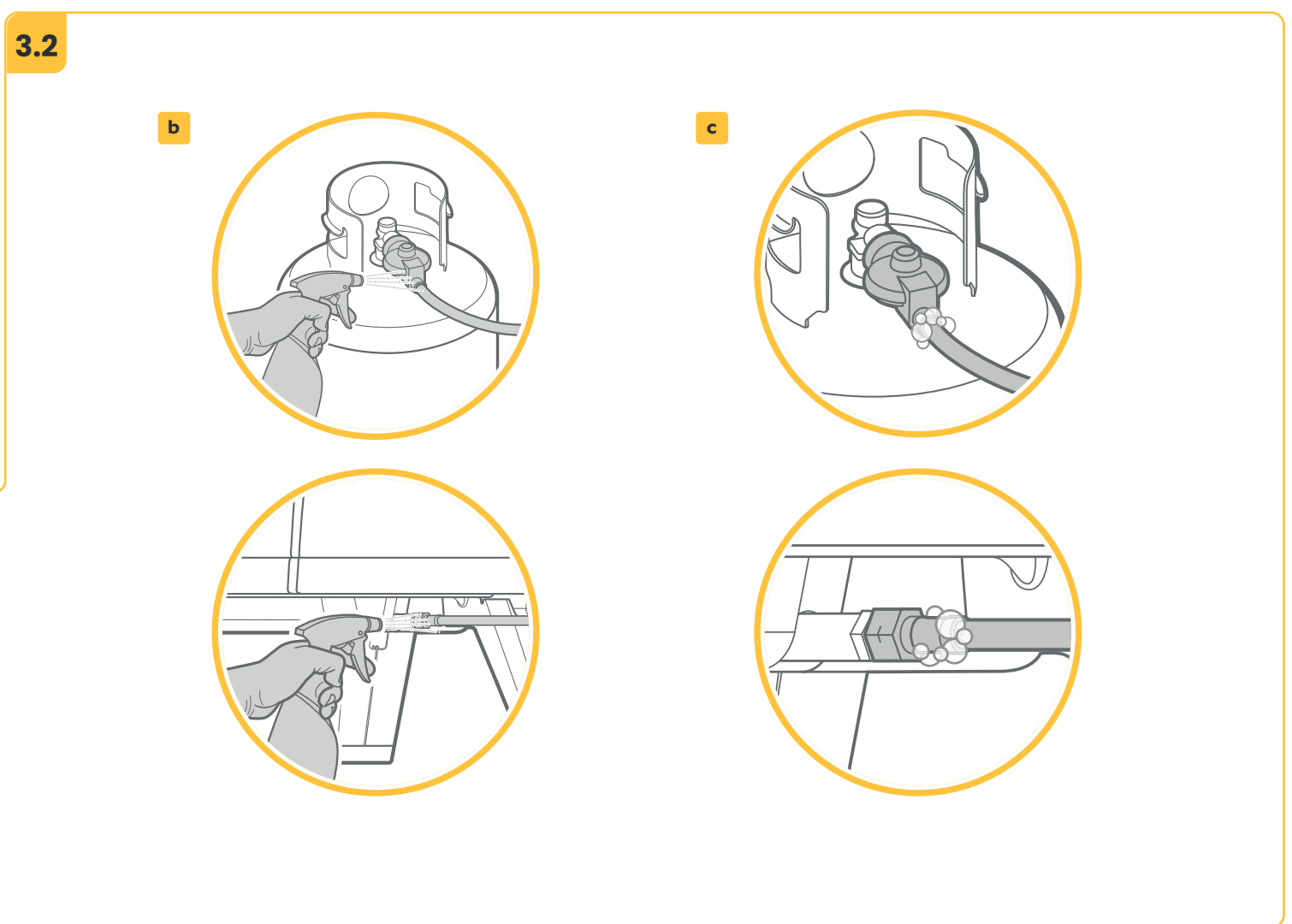
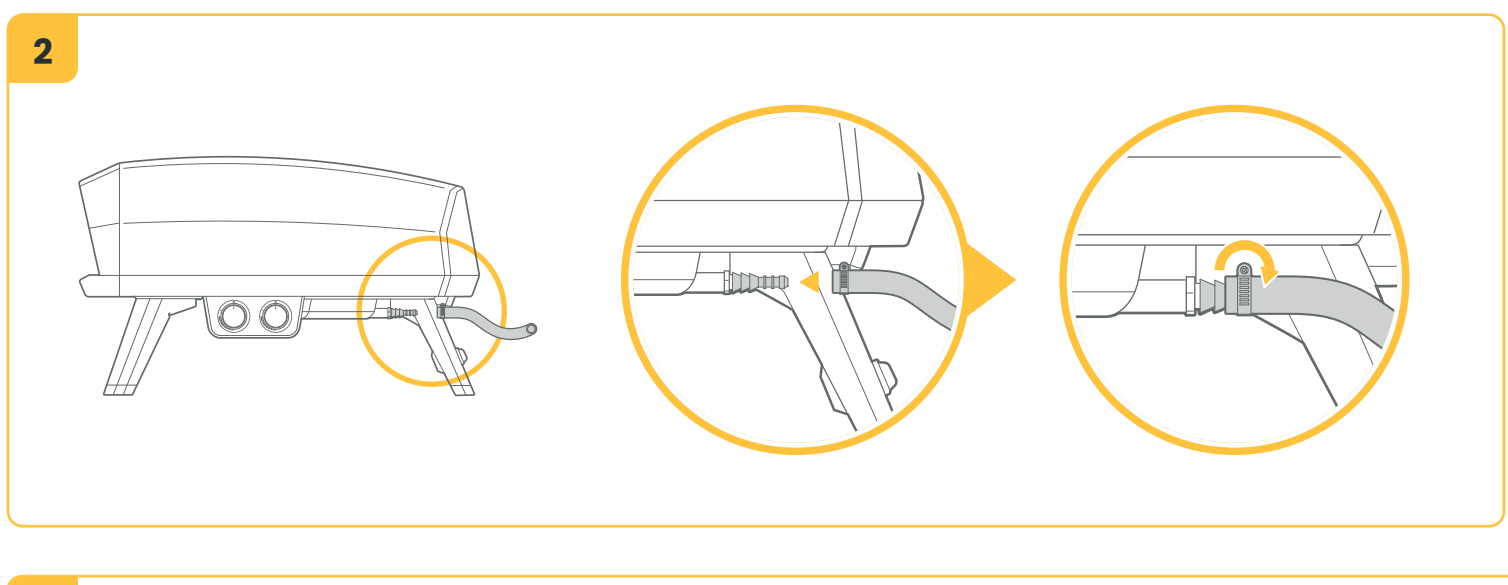
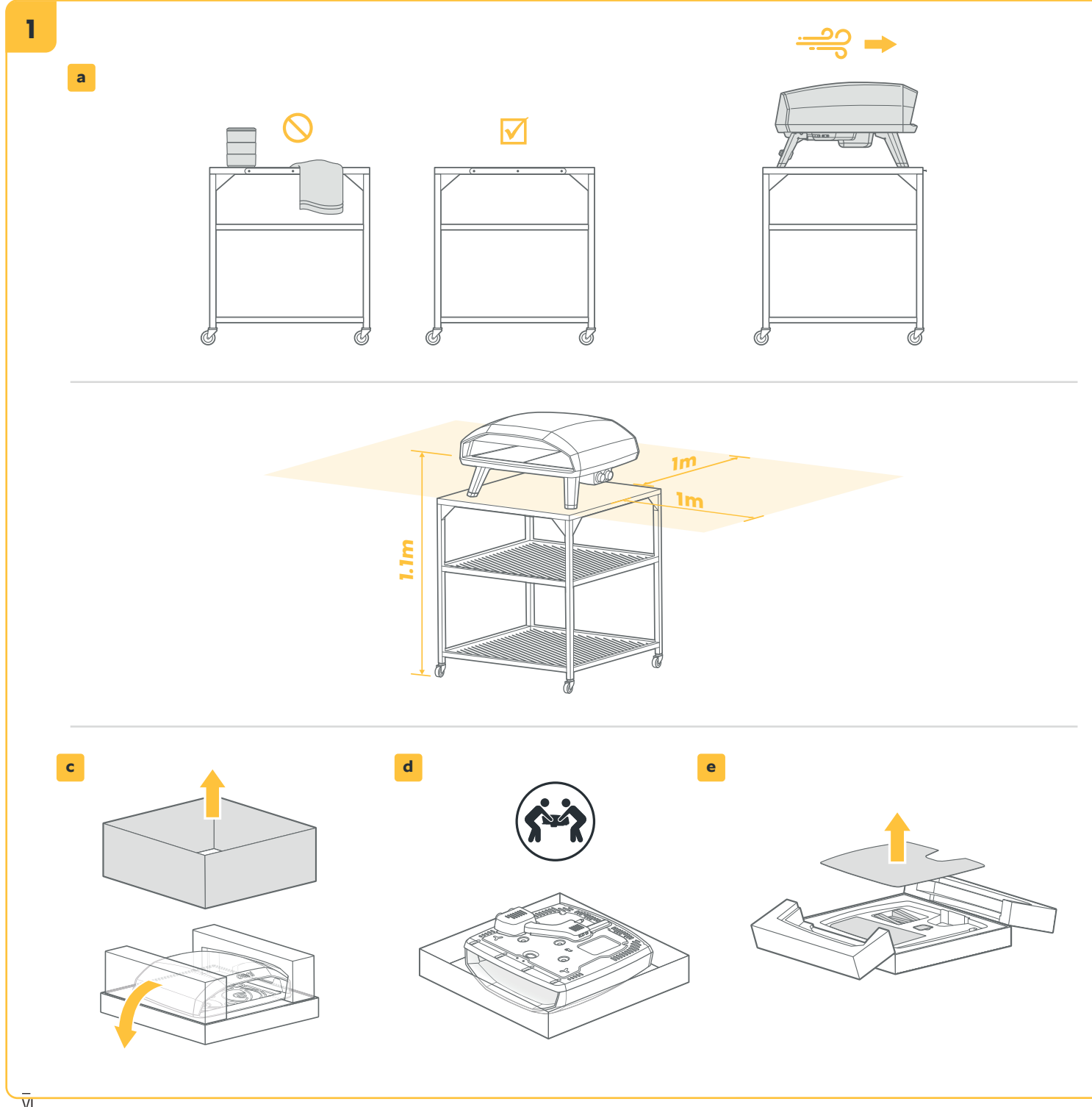
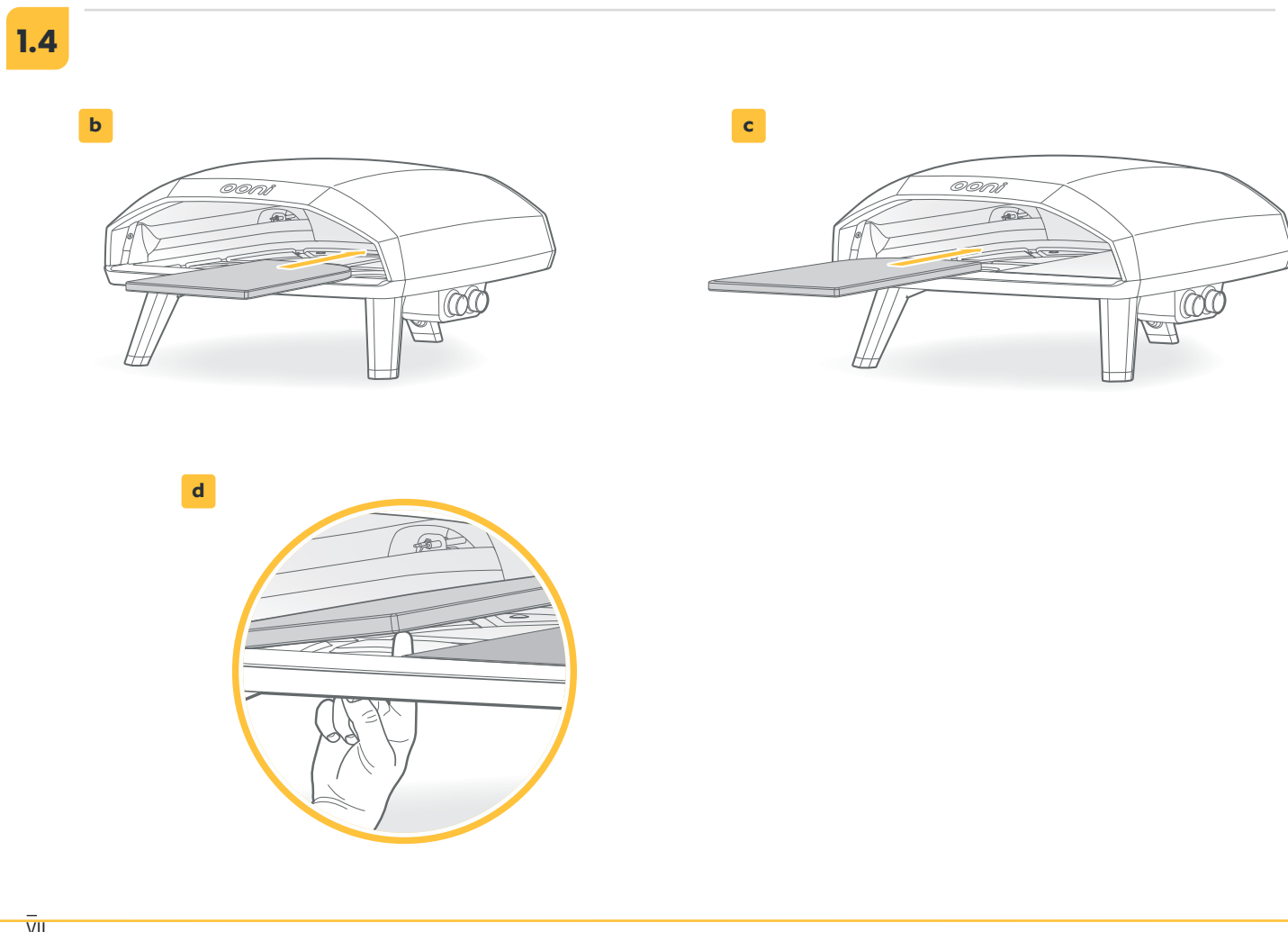
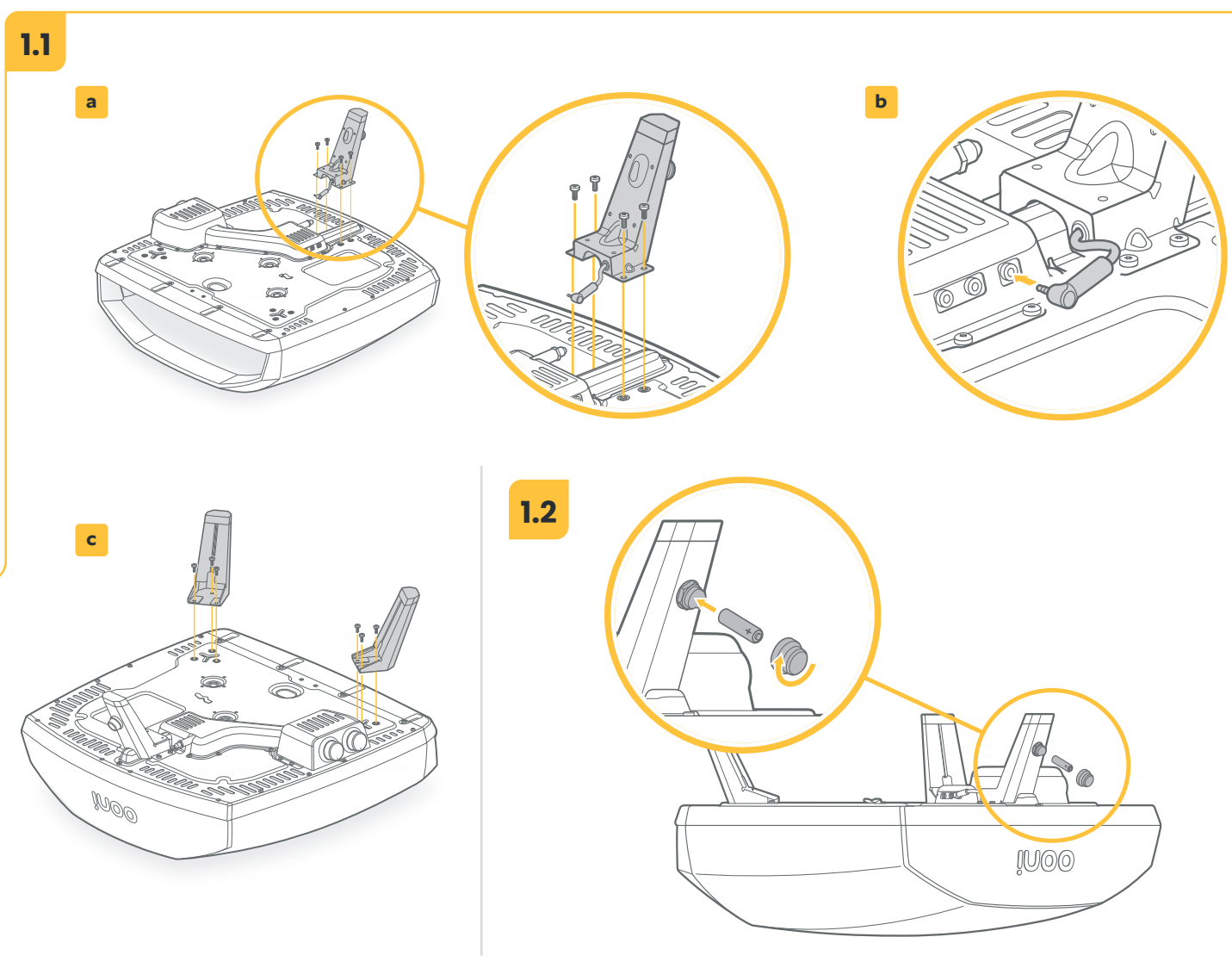
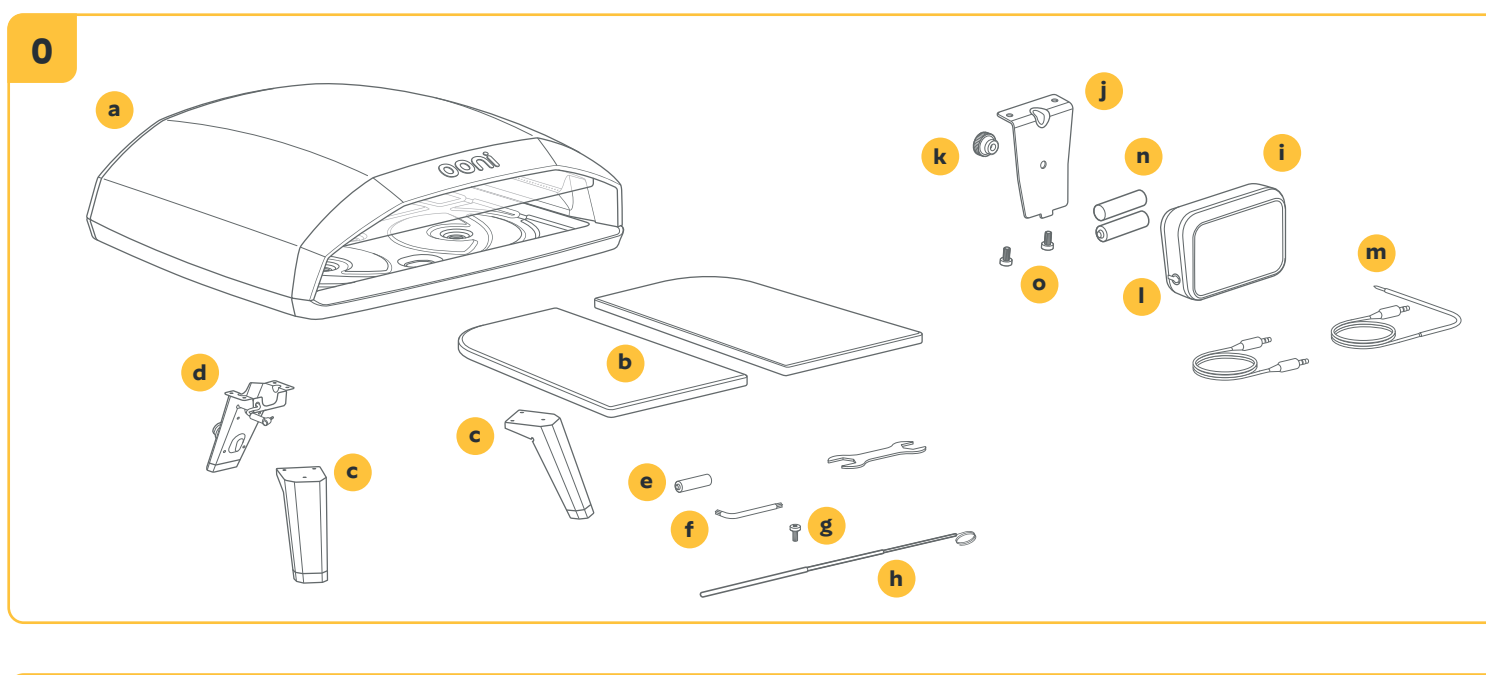


6.2



6.4





All references to "Ooni" in this manual include Ooni Limited and its relevant subsidiaries and holding companies as defined in section 1159 of the Companies Act 2006.

OONI DOES NOT ACCEPT ANY RESPONSIBILITY, LEGAL OR OTHERWISE, FOR THE INCIDENTAL OR CONSEQUENTIAL DAMAGE TO PROPERTY OR PERSONS RESULTING FROM THE USE OF YOUR OONI OVEN WHICH DOES/DID NOT COMPLY WITH ANY OF THE PROVISIONS OF THIS MANUAL.

OONI SHALL IN NO EVENT BE LIABLE FOR ANY SPECIAL, INDIRECT, CONSEQUENTIAL OR OTHER DAMAGES OF ANY NATURE WHATSOEVER IN EXCESS OF THE ORIGINAL PURCHASE PRICE OF YOUR OONI OVEN.

Some states or countries do not allow the exclusion or limitation of incidental or consequential damages, therefore such limitations or exclusions may not apply to you.

Contents

ENGLISH	2
DANSK	10
DEUTCH	18
ESPAÑOL	26
SUOMEN KIELI	34
FRANÇAIS	42
ITALIANO	50
SVENSKA	58
NORSK	66
NEDERLANDS	74
ةيزي لجن إلة غللا	82
АНГЛИЙСКИ	90
CZECHOSLOVAKZ	98
ΕΛΛΗΝΙΚΑ	106
EESTI	114
תילנג	122
HRVATSKI	130
MAGYAR	138
ÍSLENSKA	146
LIETUVIŲ	154
LATVIEŠU VALODA	162
POLSKI	170
PORTUGUÊSE	178
ROMÂNĂ	186
SLOVENSKY	194
SLOVENŠČINA	202
TÜRKÇE	210

This manual contains important information essential to the safe operation of your oven. Read this manual in full before assembling, installing, using or servicing your Ooni Koda 2 Max oven. Failure to follow these instructions could result in property damage, fire, serious bodily injury or even death.

Please keep this manual for future reference.

⚠ WARNING

Read the instructions before using the appliance and retain them for future reference.

Use outdoors only.

Accessible parts may be very hot. Keep young children away.

This appliance must be kept away from flammable materials during use.

Do not use the appliance on combustible surfaces.

Do not move the appliance during use.

Turn off the gas supply at the gas cylinder after use.

Take care when attaching or changing the gas cylinder and do so away from any source of ignition.

Do not modify the appliance.

This appliance is extremely hot during use.

Allow the oven to cool completely before covering or moving it.

Operate using the control dials only; never touch the outer metal surfaces, pizza stone or glass while the oven is on.

When setting up, make sure the mouth of the oven faces away from the wind. Place the oven at least one meter away from any structure or combustible material. Do not use in stormy weather or heavy snow.

Turn both control dials to the OFF position before connecting the gas cylinder.

Only connect the gases listed on the rating plate.

Use only with cylinders under 13kg, with a maximum diameter of 315 mm and a maximum height of 580 mm.

Gas hose must be certified to EN16436 with a maximum length of 1.5m.

If at any time you smell gas, close the gas cylinder or regulator valve, turn the control dials on the oven to the OFF position, and extinguish any open flames.

Do not wear loose clothing when operating or standing near the oven.

Never store spare gas cylinders under or near the oven.

Never check for leaks with a naked flame or attempt to ignite the burners while testing.

Stand to the side when lighting. Never look directly into the mouth of the oven or at the flame.

Never use chemical cleaners or soaps on the pizza stone surface.

Never pour water onto the pizza stone, as this may cause it to crack.

Wear heat protective gloves when using the oven and when handling particularly hot cooking apparatus.

Never attempt cleaning or maintenance while the oven is hot or in use.

Do not use abrasive cleaners or scouring pads to clean any part of the oven.

Use only Ooni-approved or official accessories and spare parts. Failure to do so may cause injury or damage to your oven or property

If the oven is operating abnormally, turn the oven off and contact Ooni support.

Replace gas hose if damaged, or when national conditions require it.

Sealed systems of the appliance shall not be manipulated.

Take care when using or cleaning the oven because sharp edges may be present.

Getting started

o What's in the box:

- a** Ooni Koda 2 Max oven
- b** Pizza stone (x2)
- c** Front leg (x2)
- d** Rear leg
- e** AA battery for ignition
- f** Torx key
- g** M5 screws (x10)
- h** Matchstick holder

- i** Digital Temperature Hub
- j** Mounting bracket
- k** Thumb nut
- l** Ambient temperature cable (x2)
- m** Food Probe (x2)
- n** AA Batteries (x2)
- o** Bracket screws

Koda 2 Max assembly instructions

Digital Temperature Hub assembly instructions

ⓘ CAUTION: your oven is very heavy and will require two people to lift, assemble and position.

DO NOT lift the oven with pizza stones in place.

ALWAYS hold the oven from the underside of the base, **NEVER** from the inside of the upper shell.

1 Setup and assembly

- a. Choose a suitable position and surface for setup.
 - i. The Ooni Large Modular Table or another sturdy metal or wood surface is ideal for oven support. Do not set your oven on plastic or glass tables. Always ensure the table can withstand the weight of the oven.
 - ii. The surface should allow for the mouth of the oven to face away from the wind and must be one meter away from any structure or combustible material.
 - iii. We recommend positioning the oven so the pizza stone sits at a height of 1.1m from the ground.
- b. Lift the lid off the box and place the lid upside down nearby.
- c. Lift the central outer box section up and away allowing the packaging protecting the sides of the oven to fall open.
- d. With help from another person, carefully lift the oven out and place it upside down on the lid of the box to protect the top. Make sure all packaging is removed from the oven.
- e. Lift the cardboard divider inside the box to reveal the oven legs, Digital Temperature Hub, pizza stones and other parts for assembly.

1.1 Attaching the legs

- a. Attach rear leg to the base with 4x M5 screws using the included screwdriver.
- b. Plug the ignition battery cable into the socket on the base of the oven next to the leg.
- c. Attach the two front legs using 3x M5 screws each.

1.2 Installing the ignition battery

- ⓘ** The ignition battery compartment is located inside the rear leg.
 - a. Unscrew cap anti-clockwise and install the supplied AA battery, paying attention to the +/- directions.
 - b. Screw cap back on clockwise.



1.3 **Follow the Digital Temperature Hub assembly instructions to install.**

1.4 Inserting the pizza stones

- ⓘ** The pizza stones are heavy; be careful not to pinch your fingers.
 - a. If your oven is upside down: With help from another person, carefully turn the oven upright and then position in its intended location.
 - b. Using both hands, carefully lift the first pizza stone and position so its rounded corner faces the back corner of the oven. Slide the pizza stone into position, taking care not to scratch the pizza ledge.
 - c. Using both hands, pick up the second pizza stone and repeat the process on the other side.
 - d. To remove either pizza stone, use one hand to push up through the hole in the base of the oven until the front of the pizza stone tips high enough to grab and slide out using your other hand. **Never** attempt to remove the pizza stones while they are hot.

2 Installing the gas hose pipe (if required)

- ⓘ** Your oven is supplied with the gas hose and regulator most suited to the gas supply found in your region of purchase. If you have an alternative gas cylinder then contact Ooni support.
 - a. Push hose onto the barb.
 - b. Slide jubilee clip over the hose.
 - c. Tighten clip with suitable screwdriver.

3 Connecting to gas

- Turn both control dials to the OFF position before connecting the gas cylinder.

⚠ WARNING

Use only with cylinders under 13kg, with a maximum diameter of 315 mm and a maximum height of 580 mm.

Take care when attaching or changing the gas cylinder and do so away from any ignition sources.

The appliance and the gas cylinder should be a minimum of 635mm apart.

Connect only gases that are listed on the rating plate.

Patio gas regulator

This is a push-on gas fitting. Ensure that the black switch is in the horizontal position, then press the button located below the black switch. Push the regulator onto the gas cylinder valve until it locks into place.

POL gas regulator

This is an anti-clockwise threaded gas fitting. Ensure the gas cylinder valve is shut completely OFF, then screw the regulator onto the gas cylinder valve fitting until tight.

3.1 Connecting the gas cylinder

- The gas cylinder valve should be in the OFF position.
- Make sure the oven control dials are also in the OFF position.
- Inspect the valve connections, port and regulator assembly. Remove any debris and inspect the hose for damage.
- Connect the regulator assembly to the valve, by pushing the regulator onto the valve by rotating the hand nut counterclockwise.
- Completely open the cylinder valve by turning the black switch on the regulator anti-clockwise.

3.2 Testing for leaks

- Using a leak detector spray or a solution of dish soap and water, check for gas leaks every time you reconnect a fitting or replace the gas cylinder.
 - Use a brush or spray bottle to apply the solution to the connections and regulator. Inspect the gas hose and apply the solution to any cracks you find.
 - If a leak is present, the solution will bubble. If you observe a leak in the hose fitting, tighten the fitting and recheck for leaks. If the leak persists or a crack in the hose is leaking, **do not** operate the oven. Contact Ooni support for assistance.
 - If you find a leak, **do not** operate the oven; remove the gas cylinder. If the leak is found in the oven or hose, contact Ooni support. If the leak is found in the gas cylinder valve, contact your gas supplier.
- Replacement regulators must be certified to EN16129 and hoses to EN16436, with a maximum length of 1.5m.

3.3 Disconnecting the gas cylinder

- Turn the gas burner control dials to the OFF position.
- Turn the black switch on the regulator clockwise.
- Push the button on the regulator to release it from the top of the gas cylinder.
- Place the dust cap on the exposed gas cylinder valve when not in use.

⚠ WARNING

If at any time you smell gas, close the gas cylinder or regulator valve, turn the control dials on the oven to the OFF position, and extinguish any open flames.

Never check for leaks with a naked flame or attempt to ignite the burners while testing.

4 Lighting Koda 2 Max

⚠ WARNING

Stand to the side when lighting. Never look directly into the mouth of the oven or at the flame.

If either burner fails to ignite as expected, refer to the troubleshooting guide. Turn the gas off and wait 5



minutes before attempting to light again. Operate using the control dials only; never touch the outer metal surfaces, pizza stone or glass while the oven is on.

Wear heat protective gloves when using the oven and when handling particularly hot cooking apparatus.

4.1 Ignition

- The left dial controls the left burner; the right dial controls the right burner.
- Push and hold either control dial in while slowly rotating anti-clockwise to spark and light the gas. Once lit, continue holding for 5 seconds to maintain the flame.
 - Verify the gas has ignited.
 - If yes, go to 4.3.
 - If the burner does not ignite, switch to the OFF position, wait 5 minutes, then try again.
 - If the burner does not ignite after the second attempt, switch to the OFF position, wait 5 minutes, then follow step 4.2.
 - If flames are ignited correctly, they should look like the illustration.
 - If either or both burners are accidentally extinguished, please refer to troubleshooting.

4.2 Lighting the oven with the matchstick holder

- Never look directly into the oven when lighting; always stand to the side and wear gloves throughout.
 - If burners will not light after several attempts using the control dials, you may light them with a match. The supplied matchstick holder is attached to the base on the opposite side of the control panel.
- If you have already attempted to light the burners using the control dials, switch to the OFF position and wait 5 minutes for any gas to dissipate.
 - Insert a match into the matchstick holder, ignite the match and touch it to one of the burners through the mouth of the oven.
 - Push in the control dial that corresponds to the burner and slowly turn it to maximum. The burner should ignite immediately.
 - Continue pushing the control dial in for 5 seconds after ignition, then release.
 - If the burner does not light within seconds, turn the control dial OFF, wait 5 minutes, and then try again.

4.3 Using the gas burners

- Turn the control dial to adjust the corresponding flame and temperature as needed.
 - The gas burner is OFF.
 - The gas burner is set to **maximum** flame.
 - The gas burner is set to **minimum** flame.
- Repeat the process (starting at 4.1) to light the second burner.
- To turn off, push **in the control dial** and rotate clockwise until it stops and the corresponding flame extinguishes.

4.4 Seasoning your oven

- You must season your oven before cooking in it for the first time.
 - Always wear gloves when putting your hand inside the oven.
- To do this, run the oven at top temperature for 30 minutes.
 - Turn off the oven and allow it to cool completely, then wipe down the inside with dry paper towels.

4.5 Shutting off the oven

- To turn off after seasoning or cooking, push in the control dial and rotate clockwise until it stops and the corresponding flame extinguishes. Repeat for both burners.
- Shut off the gas supply and disconnect the regulator.

4.6 Cooking in your oven

- Turn both burners on at full power to preheat the oven and pizza stones for at least 30 minutes.
 - Only cook pizza and other dry, bread-based dishes directly on the pizza stone. To cook meat, vegetables or other dishes, use the range of Ooni Cast Iron and Ooni Pans or other Ooni-approved cooking accessories.
 - The oven is equipped with two independent burners, enabling you to cook on just one side of the oven, on both sides at the same temperature, or on both sides at varying temperatures to accommodate different pizza styles.
- !** **Never** reach into the oven to clear away food debris that has fallen onto the pizza stone. Leave it to burn out, then remove it once the oven has cooled. Refer to the pizza stone cleaning procedure in the maintenance section of this manual for additional tips.
 - i** We strongly recommend using an Ooni Digital Infrared Thermometer to accurately measure the pizza stone temperature. Your pizza stone will heat up slower than the air inside the oven. (To cook great pizza, you need a balance of both.) That's why it's important to use an Ooni Digital Infrared Thermometer as well as the Digital Temperature Hub to ensure your pizza stone and air temperatures are within a close range.
 - i** For everything you need to know about cooking with Koda 2 Max, download the Ooni app.

5 Installing the visor (if required)



Scan for video instructions

- !** Wear protective gloves and make sure your oven is cool.
- Open the hinge by using the torx key to loosen the screw counterclockwise.
 - Using both hands, guide the right-hand side of the visor into the U-shaped bracket at the top right of the oven mouth.
 - Place the left-hand side of the visor into the recess on the left hinge.
 - Place your left thumb under the hinge and gently push it upward until it lies flat against the oven body. Hold the hinge in this position.
 - Use the torx key to tighten the screw clockwise, locking the hinge.
 - Ensure the hinge is locked into place.

5.1 Removing the visor

For deep cleaning or cooking larger items in the oven, follow these steps to remove the visor:

- !** Wear protective gloves and make sure your oven is cool.
- Place your left thumb above the screw to support the hinge.
 - Use the torx key to loosen the screw counterclockwise, unlocking the hinge.
 - Gently lower the hinge using your left thumb, which will allow the visor to lower.
 - Use both hands to carefully lift the left-hand side of the visor and pull forward to release the visor from the right bracket.
 - To close the hinge, place your left thumb under the hinge and gently push it upward until it lies flat against the oven body. Hold the hinge in position and rotate the screw clockwise to lock.
 - Ensure the hinge is locked into place.

6 Care and maintenance instructions

⚠ WARNING

Never attempt cleaning or maintenance while the oven is hot or in use.

Always wear gloves when cleaning the oven.

Do not use abrasive cleaners or scouring pads to clean any part of the oven.

Do not use chemical cleaners on painted surfaces.

Take care when cleaning inside the oven because sharp edges may be present.

Always cover oven when storing outdoors.

6.1 Cleaning the interior

- After each use, switch off the oven and allow it to cool completely before wiping down the inside surfaces and along the burner tubes with dry paper towels.
- If the glass visor is dirty, you can clean it carefully using a damp cloth or dry paper towel. For stubborn stains, remove the visor according to the included instructions (Step 5.1).

6.2 Cleaning the exterior

- The outer shell of Koda 2 Max can be wiped down with warm, soapy water and dried immediately. Avoid abrasive cleaning products or those with harsh chemicals.
- Dry immediately and cover with the Koda 2 Max Cover.

6.3 Cleaning the pizza stones

- !** **Never** use chemical cleaners or soaps on the pizza stones. **Never** expose your pizza stones to water.

There is no need to wash the pizza stones; it is perfectly normal for their appearance to change over time.


- Turn the oven on at full power for 45 minutes without cooking in it. The pizza stone will self-clean at high temperatures, and any food residue or debris will turn to ash.
- Allow the oven to cool completely, then brush the ash away with an Ooni Pizza Oven Brush.
Note: Your oven pizza stones are symmetrical and double-sided, so you can turn them over between uses (once cool) and burn off any stubborn residue from underneath the next time you cook.

6.4 Replacing the ignition battery


- The ignition battery compartment is located inside the rear leg.
 - Unscrew the cap anti-clockwise to remove the old battery and replace it with a new one, paying attention to the +/- directions.
 - Screw the cap back on clockwise.
 - Safely dispose of the old battery.
- i** If you are storing the oven for more than a month, remove the battery.

Extend your 1 year warranty to 5 years*, for free when you register your product at ooni.com/warranty within 60 days of purchase.*

*Terms and conditions apply

Issue	Possible Cause	Solution
My oven won't ignite	<ol style="list-style-type: none"> 1. Improper setup. 2. Insufficient gas flow. 3. Regulator attached incorrectly. 4. No spark from ignition. 5. There's a spark or audible click, but the gas doesn't ignite. 	<ol style="list-style-type: none"> 1. Make sure the oven is set up according to step 1. 2. Make sure the gas cylinder contains fuel and is in an upright position; an empty or nearly empty cylinder could affect performance. Check for any kinks in the gas hose. 3. Make sure the regulator is properly attached to the gas cylinder. 4. Check that the ignition battery is present, inserted correctly and has a charge (step 1.2). Ensure that the sparker cable is inserted properly (step 1.1). 5. Please contact Ooni customer support. You can also light with a match and the matchstick holder (step 4.2) if necessary.
My oven burners ignite, but won't stay lit.	<ol style="list-style-type: none"> 1. The Flame Supervision Device (FSD) is not engaged. 2. The FSD thermocouple is dirty. 3. The FSD thermocouple is faulty. 	<ol style="list-style-type: none"> 1. Closely follow the lighting steps (step 4). Make sure to push and hold the control dial for at least 5 seconds after ignition in order to engage the Flame Supervision Device (FSD). 2. Turn off the gas supply, wait for the oven to cool, gently clean the FSD thermocouple with a damp cloth, and leave it to dry fully before relighting. (You may need to remove the visor for easier access.) 3. If steps 1 and 2 don't fix the problem, contact Ooni customer support.
My oven isn't getting hot enough.	<ol style="list-style-type: none"> 1. Insufficient gas flow. 2. Gas cylinder/ regulator pressure. 3. Oven setup and positioning. 4. Weather conditions. 5. Gas burner is backlighting (typically accompanied by a roaring sound). 6. The visor has been removed. 	<ol style="list-style-type: none"> 1. Make sure the gas cylinder contains fuel and is in an upright position; an empty or nearly empty can could affect performance. Check for any kinks in the gas hose. 2. Select a suitable gas cylinder (step 3) and regulator pressure (as per the rating plate). 3. See setup instructions (step 1). Use the oven in an area sheltered from wind, or at least position it so the mouth faces away from any wind. 4. Preheat time and maximum temperature can be affected by location and weather conditions. Adjust the expected preheat time to account for varying ambient conditions. If your oven has been exposed to moisture or cold, it may take longer to preheat. Store underneath a waterproof cover and bring the pizza stones indoors during extended periods without use. 5. Follow the steps to turn off the gas burner, wait 5 minutes, then reignite the oven (step 4.1). 6. Preheat time and maximum temperature can be affected when cooking without the visor. Re-install to ensure to temperatures can be reached.
Excessively sooty flame/ soot on oven interior and visor.	<ol style="list-style-type: none"> 1. Burning food debris. 2. Incorrect setup or incompatible gas cylinder or regulator. 3. Blocked gas venturi. 	<ol style="list-style-type: none"> 1. Refer to the Ooni app for cooking guidelines. Avoid using too much flour to launch your pizza, and remove any food scraps that fall onto the pizza stone. Use an Ooni Pizza Oven Brush to clean the pizza stone between cooks. 2. Ensure your oven is assembled correctly and that you are using the correct gas cylinder (step 3) and regulator (as per the rating plate). 3. Contact Ooni customer support.
Cooking Issues		 <p>Scan to download the Ooni app for pizza tips, recipes and troubleshooting.</p> <p>You can also contact our Ooni customer support at support.ooni.com</p>

If a problem persists, please contact Ooni customer support at support.ooni.com.

Model: UU-P2B800 Ooni Koda 2 Max	I3+ (28-30/37)	I3B/P(30)
Ooni Limited, Unit 5, Ooni Park, 189 West Main Street, Broxburn, EH52 5LH, UK	Butane	Propane
	28-30 mbar	37 mbar
Read the instructions before using this appliance. Use outdoors only. WARNING: Accessible parts may be very hot, keep young children away.	11kw (801 g/h)	11kw (801 g/h)
	Injector size/Marking: 1.2mm x 2 / 1.20	
	A (outdoors use only)	
	CY, GR, ES, TR	BG, CZ, DK, EE, GR, ES, FI, HR, HU, IL, IS, IT, LT, LV, NL, NO, PL, PT, RO, SA, SE, SI, SK, TR
Pizza oven PIN: 2575DP40644	 2575-24	

Denne vejledning indeholder vigtige oplysninger, som er vigtige for sikker betjening af din ovn. Læs hele denne vejledning, før du samler, installerer, bruger eller servicerer din Ooni Koda 2 Max-ovn. Manglende overholdelse af disse instruktioner kan resultere i materiel skade, brand, alvorlig personskade eller endda død.

Husk at gemme denne vejledning til senere brug.

⚠ ADVARSEL

Læs instruktionerne, før du tager apparatet i brug, og gem dem til senere brug.

Kun til udendørs brug.

Tilgængelige dele kan være meget varme. Hold små børn væk.

Under brug skal dette apparat holdes væk fra brændbare materialer.

Apparatet må ikke flyttes under brug.

Sluk for gasforsyningen ved gasflasken efter brug.

Vær forsigtig, når du monterer eller skifter gasflasken, og gør det væk fra enhver antændelseskilde.

Der må ikke foretages ændringer på apparatet.

Dette apparat er ekstremt varmt under brug.

Lad ovnen køle helt af, før du dækker den til eller flytter den.

Brug kun betjeningsknapperne; rør aldrig ved de ydre metaloverflader, pizzastenen eller glasset, mens ovnen er tændt.

Sørg for, at ovnens munding vender væk fra vinden, når du sætter den op. Placér ovnen mindst en meter væk fra genstande eller brændbart materiale. Må ikke bruges i stormvejr eller kraftig snevejr.

Drej begge kontrolknapper til OFF-position, før gasflasken tilsluttes.

Tilslut kun de gasser, der er angivet på typeskiltet.

Brug kun med cylindre under 13 kg, med en maksimal diameter på 315 mm og en maksimal højde på 580 mm.

Gaslangen skal være certificeret efter EN16436 med en maksimal længde på 1,5 m.

Hvis du på noget tidspunkt kan lugte gas, skal du lukke gasflasken eller reguleringsventilen, dreje ovnens kontrolknapper til positionen OFF og slukke for åbne flammer.

Du må ikke have løstsiddende tøj på, når du betjener eller opholder dig i nærheden af ovnen.

Der må aldrig opbevares ekstra gasflasker under eller i nærheden af ovnen.

Tjek aldrig for lækager med en åben flamme, og forsøg aldrig at antænde brænderne under testen.

Stå til siden, når du tænder apparatet. Kig aldrig direkte ind i ovnens åbning eller på flammen.

Brug aldrig kemiske rengøringsmidler eller sæbe på pizzastenens overflade.

Hæld aldrig vand på pizzastenen, da det kan få den til at revne.

Brug varmebeskyttende handsker, når du bruger ovnen, og når du håndterer særligt varme kogeapparater.

Forsøg aldrig at rense eller vedligeholde ovnen, mens den er varm eller i brug.

Du må ikke bruge slibende rengøringsmidler eller skuresvampe til at rense nogen del af ovnen.

Brug kun Ooni-godkendt eller officielt tilbehør og reservedele. Manglende overholdelse kan forårsage personskade eller skade på din ovn eller ejendom.

Hvis ovnen fungerer unormalt, så skal du slukke for ovnen og kontakte Ooni-kundeservice.

Udskift gaslangen, hvis den er beskadiget, eller når nationale regler kræver det.

Apparatets forseglede systemer må ikke berøres.

Vær forsigtig, når du bruger eller rengør ovnen, da der kan være skarpe kanter.

1 Opsætning og montering

- Vælg en passende position og overflade til opsætningen.
 - Ooni Large Modulært bord eller en anden robust metal- eller træoverflade er ideel som ovnstøtte. Du må ikke stille din ovn på plastikborde eller glasborde. Sørg altid for, at bordet kan holde til ovnens vægt.
 - Overfladen skal gøre det muligt for ovnens munding at vende væk fra vinden og skal være en meter væk fra enhver struktur eller brændbart materiale.
 - Vi anbefaler, at ovnen placeres, så pizzastenen sidder i en højde på 1,1 m fra gulvet.
- Løft låget af kassen, og læg det på hovedet i nærheden.
- Løft den midterste del af den ydre kasse op og væk, så emballagen, der beskytter ovnens sider, falder op.
- Løft forsigtigt ovnen ved hjælp af en anden person, og placér den med bunden i vejret på låget af kassen for at beskytte toppen. Sørg for, at al emballage fjernes fra ovnen.
- Løft papskillevæggen inde i æsken for at se ovnbenene, det digitale temperatursystem, pizzastenene og andre dele til samling.

1.1 Fastgørelse af benene

- Fastgør det bageste ben til basen med 4x M5 skruer ved hjælp af den medfølgende skruetrækker.
- Sæt tændingsbatterikablet i stikkontakten i bunden af ovnen ved siden af benet.
- Fastgør de to forreste ben med 3x M5-skruer hver.

1.2 Installation af tændingsbatteriet

- ⓘ Batterirummet til tændingen er placeret inde i det bageste ben.
 - Skrue hættens af mod uret, og sæt det medfølgende AA-batteri i. Vær opmærksom på +/- retningen.
 - Skrue hættens på igen i urets retning.

1.3



Følg monteringsvejledningen til den digitale temperatursystem for at installere den.

1.4 Indsætning af pizzasten

- ⓘ Pizzastenene er tunge; pas på ikke at klemme fingrene.
 - Hvis din ovn er vendt på hovedet: Vend forsigtigt ovnen på højkant med hjælp fra en anden person, og placér den derefter på den tiltænkte plads.
 - Løft forsigtigt den første pizzasten med begge hænder, og positionér den på en sådan måde, at dens afrundede hjørne vender mod ovnens bageste hjørne. Skub pizzastenen på plads, og pas på ikke at ridse pizzakanten.
 - Tag den anden pizzasten op med begge hænder, og gentag processen på den anden side.
 - For at fjerne en af pizzastenene skal du bruge den ene hånd til at skubbe den op gennem hullet i ovnens bund, indtil forsiden af pizzastenen tipper højt nok op til, at du kan gribe fat i den og skubbe den ud med den anden hånd. **Forsøg aldrig** at fjerne pizzastenene, mens de er varme.

2 Installation af gaslangens rør (hvis nødvendigt)

- ⓘ Din ovn leveres med den gaslange og regulator, der passer bedst til den gasforsyning, der findes i det område, hvor du har købt den. Hvis du har en alternativ gasflaske, så kontakt Ooni support.
 - Skub slangen på modhagerøret.
 - Skub jubilæumsclipsen over slangen.
 - Skrue klemmen fast med en egnet skruetrækker.

Kom godt i gang

○ Hvad er der i kassen?

a	Ooni Koda 2 Max ovn	i	Digitalt temperatursystem
b	Pizzasten (x2)	j	Monteringsbeslag
c	Forreste ben (x2)	k	Riflet møtrik
d	Bageste ben	l	Kabel til omgivelsestemperatur (x2)
e	AA-batteri til tænding	m	Madsonde (x2)
f	Unbrako-nøgle	n	AA-batterier (x2)
g	M5-skruer (x10)	o	Beslagskruer
h	Tændstikholder		
	Koda 2 Max samlevejledning		Monteringsvejledning til digitalt temperatursystem

⚠ **FORSIGTIG:** din ovn er meget tung og vil kræve to personer til at løfte, samle og placere den.

Løft IKKE ovnen med pizzastenene i ovnen.

HOLD ALTID ovnen fra undersiden af bunden, **ALDRIG** fra indersiden af den øverste del.

3 Tilslutning til gas

- ! Drej begge kontrolknapper til OFF-position, før gasflasken tilsluttes.

⚠ ADVARSEL

Brug kun med cylindre under 13 kg, med en maksimal diameter på 315 mm og en maksimal højde på 580 mm.

Pas på, når du monterer eller skifter gasflasken, og gør det i god afstand fra antændelseskilder.

Apparatet og gasflasken skal være mindst 635 mm fra hinanden.

Tilslut kun gasser, der er angivet på typeskiltet.

Gasregulator til terrassen

Denne gastilslutning skal trykkes på. Sørg for, at den sorte kontakt er i vandret position, og tryk derefter på knappen, der er placeret under den sorte kontakt. Tryk på regulatoren på gasflaskens ventil, indtil den låser på plads.

POL-gasregulator

Denne gastilslutning har gevind mod uret. Sørg for, at gasflaskens ventil er lukket helt af, og skru derefter regulatoren på gasflaskens ventilfitting, indtil den er stram.

3.1 Tilslutning af gasflasken

- Gasflaskens ventil skal være i OFF-positionen.
- Sørg for, at ovnsens drejeknapper også er i OFF-positionen.
- Tjek ventiltilslutningerne, porten og regulatorenheden. Fjern eventuelt snavs, og undersøg slangen for skader.
- Tilslut regulatoren til ventilen ved at trykke på regulatoren på ventilen og drej håndmøtrikken mod uret.
- Åbn flaskeventilen helt ved at dreje den sorte kontakt på regulatoren mod uret.

3.2 Testning for lækager

- Brug en lækagesøgerspray eller en opløsning af opvaskemiddel og vand til at tjekke for gaslækager, hver gang du tilslutter gas igen eller udskifter gasflasken.
- Brug en pensel eller sprayflaske til at påføre opløsningen på forbindelserne og regulatoren. Tjek gasslangen, og påfør opløsningen på de revner, du opdager.
- Hvis der er en lækage, vil opløsningen boble. Hvis du opdager en lækage i slangefittingen, skal du stramme fittingen og kontrollere for lækager igen. Hvis problemet med lækager vedvarer, eller hvis der er en revne i slangen, skal du **ikke** bruge ovnen. Kontakt Ooni kundeservice for at få hjælp.
- Hvis du opdager en lækage, skal du **ikke** bruge ovnen; fjern gasflasken. Hvis du opdager en lækage i ovnen eller slangen, skal du kontakte Ooni support. Hvis lækagen findes i gasflaskens ventil, så skal du kontakte din gasleverandør.

- ! Erstatningsregulatorer skal være certificeret i henhold til EN16129 og slanger i henhold til EN16436, med en maksimal længde på 1,5 m.

3.3 Frakobling af gasflasken

- Drej gasbrænderens kontrolknapper til OFF-positionen.
- Drej den sorte kontakt på regulatoren med uret.
- Tryk på knappen på regulatoren for at frigøre den fra toppen af gasflasken.
- Sæt støvhætten på den synlige gasflaskeventil, når den ikke er i brug.

⚠ ADVARSEL

Hvis du på noget tidspunkt kan lugte gas, skal du lukke gasflasken eller reguleringsventilen, dreje ovnsens kontrolknapper til positionen OFF og slukke for

åbne flammer. Tjek aldrig for lækager med en åben flamme, og forsøg aldrig at antænde brænderne under testen.

4 Belysning Koda 2 Max

⚠ ADVARSEL

Stå til siden, når du tænder apparatet. Kig aldrig direkte ind i ovnsens åbning eller på flammen.



Betjen kun ved hjælp af drejeknapperne; rør aldrig ved de ydre metaloverflader, pizzasten eller glas, mens ovnen er tændt.

Hvis en af brænderne ikke tænder som forventet, bedes du læse fejlfindingsvejledningen. Sluk for gassen, og vent 5 minutter, før du forsøger at tænde igen.

Brug varmebeskyttende handsker, når du bruger ovnen, og når du håndterer særligt varme kogeapparater.

4.1 Tænding

- i Den venstre drejeknap styrer den venstre brænder, den højre drejeknap styrer den højre brænder.
 - Tryk og hold en af drejeknapperne inde, mens du langsomt drejer den mod uret for at tænde gassen. Når den er tændt, holdes den inde i 5 sekunder for at bevare flammen.
 - Kontrollér, om gassen er tændt.
 - Hvis ja, så gå til 4.3.
 - Hvis brænderen ikke tændes, skal du skifte til OFF-positionen, vente 5 minutter og derefter prøve igen.
 - Hvis brænderen ikke tændes efter andet forsøg, skal du skifte til OFF-positionen, vente 5 minutter og derefter følge trin 4.2.
 - Hvis flammerne antændes korrekt, skal de se ud som på illustrationen.
 - Hvis en eller begge brændere slukkes ved et uheld, henvises der til fejlfinding.

4.2 Tænd ovnen med tændstikholderen

- ! Kig aldrig direkte ind i ovnen, når du tænder den; stå altid til siden og brug handsker hele vejen igennem.
- i Hvis brænderne ikke tænder efter flere forsøg med drejeknapperne, kan du tænde dem med en tændstik. Den medfølgende tændstikholder er fastgjort til basen på den modsatte side af kontrolpanelet.
 - Hvis du allerede har forsøgt at tænde brænderne ved hjælp af drejeknapperne, skal du skifte til OFF-positionen og vente 5 minutter på, at gassen forsvinder.
 - Sæt en tændstik i tændstikholderen, tænd tændstikken, og rør den ved en af brænderne gennem ovnsens åbning.
 - Tryk på den drejeknap, der hører til brænderen, og drej den langsomt til maksimum. Brænderen bør antændes straks.
 - Fortsæt med at trykke drejeknappen ind i 5 sekunder efter tænding, og slip den derefter.
 - Hvis brænderen ikke tændes inden for få sekunder, skal du dreje kontrolknappen til OFF-positionen, vente 5 minutter og derefter prøve igen.

4.3 Brug af gasbrændere

- Drej på kontrolhjulet for at justere den tilsvarende flamme og temperatur efter behov.
 - Gasbrænderen er slukket.
 - Gasbrænderen er indstillet til **maksimal** flamme.
 - Gasbrænderen er indstillet til **minimal** flamme.
- Gentag processen (start ved 4.1) for at tænde den anden brænder.
- For at slukke skal du trykke på **i drejeknappen** og dreje i urets retning, indtil den stopper, og den pågældende flamme slukkes.

4.4 Tilberedelse af din ovn

- i Du skal tilberede din ovn, før du laver mad i den første gang.
- ! Brug altid handsker, når du stikker hånden ind i ovnen.
 - For at gøre dette skal du lade ovnen køre på højeste temperatur i 30 minutter.
 - Slå ovnen fra, og lad den køle helt af. Tør derefter indersiden af med tørt køkkenrulle.

4.5 Slukning af ovnen

- For at slukke ovnen efter tilberedning skal du trykke drejeknappen ind og dreje den med uret, indtil den stopper, og den tilsvarende flamme slukkes. Gentag for begge brændere.
- Luk for gastilførslen, og frakobl regulatoren.

4.6 Bagning i din ovn

- Tænd begge brændere på fuld styrke for at forvarme ovnen og pizzastenen i mindst 30 minutter.
 - Lav kun pizza og andre tørre, brødbaserede retter direkte på pizzastenen. Til tilberedning af kød, grøntsager eller andre retter kan du bruge udvalget af Ooni-støbejern og Ooni-pander eller andet Ooni-godkendt madlavningstilbehør.
 - Ovnen er udstyret med to uafhængige brændere, så du kan lave mad på kun den ene side af ovnen, på begge sider ved samme temperatur eller på begge sider ved forskellige temperaturer for at imødekomme forskellige slags pizzaer.
- !** **Stik aldrig** hånden ind i ovnen for at fjerne madrester, der er faldet ned på pizzastenen. Lad den brænde ud, og fjern den, når ovnen er kølet af. Se rengøringsproceduren for pizzasten i vedligeholdelsesafsnittet i denne vejledning for yderligere tips.
- i** Vi anbefaler på det kraftigste at bruge et digitalt infrarødt termometer fra Ooni til at måle pizzastenens temperatur nøjagtigt. Din pizzasten varmes langsomt op end luften inde i ovnen. (For at lave god pizza skal man have en balance mellem begge dele). Derfor er det vigtigt at bruge et digitalt infrarødt termometer fra Ooni samt den digitale temperaturhub for at sikre, at temperaturen på din pizzasten og luft er inden for rækkevidde.
- i** For alt, hvad du har brug for at vide om madlavning med Koda 2 Max, kan du downloade appen Ooni.

5 Montering af visir (hvis påkrævet)



Scan for at få videoinstruktioner

- !** Brug beskyttelseshandsker, og sørg for, at ovnen er kold.
- Åbn hængslet ved at bruge unbrako-nøglen til at løsne skruen mod uret.
 - Brug begge hænder til at føre højre side af visiret ind i det U-formede beslag øverst til højre i ovnmunden.
 - Placér den venstre side af visiret i fordybningen på venstre hængsel.
 - Placér din venstre tommelfinger under hængslet, og skub det forsigtigt opad, indtil det ligger fladt mod ovnens hoveddel. Hold hængslet i denne position.
 - Brug unbrako-nøglen til at spænde skruen med uret, så hængslet låses.
 - Sørg for, at hængslet er låst på plads.

5.1 Fjernelse af visiret

Følg disse trin for at fjerne visiret ved dybderengøring eller tilberedning af større fødevarer i ovnen:

- !** Brug beskyttelseshandsker, og sørg for, at ovnen er kold.
- Placér din venstre tommelfinger over skruen for at støtte hængslet.
 - Brug unbrako-nøglen til at løsne skruen mod uret, så hængslet låses op.
 - Sænk forsigtigt hængslet med din venstre tommelfinger, så at visiret kan sænkes.
 - Brug begge hænder til forsigtigt at løfte venstre side af visiret, og træk fremad for at frigøre visiret fra det højre beslag.
 - For at lukke hængslet skal du placere din venstre tommelfinger under hængslet og forsigtigt skubbe det opad, indtil det ligger fladt mod ovnens hoveddel. Hold hængslet på plads, og drej skruen med uret for at låse det.
 - Sørg for, at hængslet er låst på plads.

6 Instruktioner til pleje og vedligeholdelse

▲ ADVARSEL

Forsøg aldrig at rense eller vedligeholde ovnen, mens den er varm eller i brug.

Brug altid handsker, når du renser ovnen.

Du må ikke bruge slibende rengøringsmidler eller skuresvampe til at rense nogen del af ovnen.

Brug ikke kemiske rengøringsmidler på malede overflader.

Pas på, når du gør rent inde i ovnen, da der kan være skarpe kanter.

Dæk altid ovnen til, når den opbevares udendørs.

6.1 Rensning af interiøret

- Efter hver brug skal du slukke for ovnen og lade den køle helt af, før du tørrer de indvendige overflader og langs brænderrørene af med tørt køkkenrullepapir.
- Hvis glasvisiret er snavset, så kan du rengøre det forsigtigt med en fugtig klud eller tørt køkkenrulle. Ved genstridige pletter skal du fjerne visiret i henhold til de medfølgende instruktioner (trin 5.1).

6.2 Rensning af ydersiden

- Ydersiden af Koda 2 Max kan tørres af med varmt sæbevand og tørres med det samme. Undgå slibende rengøringsprodukter eller produkter med stærke kemikalier.
- Tør ovnen straks, og dæk med Koda 2 Max Cover.

6.3 Rensning af pizzasten

- !** Brug aldrig kemiske rengøringsmidler eller sæbe på pizzastenen. **Udsæt aldrig** dine pizzasten for vand. Det er ikke nødvendigt at vaske pizzastenen; det er helt normalt, at de ændrer udseende med tiden.
- Tænd ovnen på fuld styrke i 45 minutter uden at lave mad i den. Pizzastenen renser sig selv ved høje temperaturer, og eventuelle madrester eller snavs bliver til aske.
 - Lad ovnen køle helt af, og børst derefter asken væk med en Ooni-pizzaovnbørste. Bemærk: Dine ovnpizzasten er symmetriske og dobbeltsidede, så du kan vende dem mellem brug (når de er kølet af) og brænde eventuelle genstridige rester af nedenunder, næste gang du laver mad.


6.4 Udskiftning af tændingsbatteriet

- Batterirummet til tændingen er placeret inde i det bageste ben.
 - Skrub dækslet af mod uret for at fjerne det gamle batteri og udskifte det med et nyt, og vær opmærksom på +/- anvisningerne.
 - Skrub hættens på igen i urets retning.
 - Bortskaf det gamle batteri på en sikker måde.
- i** Hvis du stiller ovnen til side i længere tid end en måned, skal du fjerne batteriet.

Forlæng din 1 års garanti til 5 år* gratis, når du registrerer dit produkt på ooni.com/warranty inden for 60 dage efter købet*.

*Gældende vilkår og betingelser

Fejlfinding

Problem	Mulig årsag	Løsning
Min ovn tændes ikke	<ol style="list-style-type: none"> 1. Forkert opsætning. 2. Utilstrækkelig gaskennemstrømning. 3. Regulatoren er monteret forkert. 4. Ingen gnist fra tændingen. 5. Der er en gnist eller et hørbart klik, men gassen antændes ikke. 	<ol style="list-style-type: none"> 1. Sørg for, at ovnen er indstillet i henhold til trin 1. 2. Sørg for, at gasflasken indeholder brændstof og står oprejst; en tom eller næsten tom flaske kan påvirke ydeevnen. Tjek for eventuelle knæk i gasslangen. 3. Sørg for, at regulatoren er ordentligt fastgjort til gasflasken. 4. Kontrollér, at tændingsbatteriet er til stede, sat korrekt i og er opladet (trin 1.2). Sørg for, at gnistkablet er sat korrekt i (trin 1.1). 5. Kontakt venligst Ooni-kundeservice. Du kan også tænde med en tændstik og tændstikholderen (trin 4.2), hvis det er nødvendigt.
Mine ovnbrændere tændes, men forbliver ikke tændt.	<ol style="list-style-type: none"> 1. Enheden til flammeovervågning (FSD) er ikke aktiveret. 2. FSD-termoelementet er snavset. 3. FSD-termoelementet er defekt. 	<ol style="list-style-type: none"> 1. Følg nøje trinene for belysning (trin 4). Sørg for at holde drejeknappen nede i mindst 5 sekunder efter tænding for at aktivere enheden til flammeovervågning (FSD). 2. Sluk for gasforsyningen, vent til ovnen er kølet af, rens forsigtigt FSD-termoelementet med en fugtig klud, og lad det tørre helt, før du tænder igen. (Det kan være nødvendigt at fjerne visiret for at få lettere adgang). 3. Hvis trin 1 og 2 ikke løser problemet, skal du kontakte Ooni-kundeservice.
Min ovn bliver ikke varm nok.	<ol style="list-style-type: none"> 1. Utilstrækkelig gaskennemstrømning. 2. Tryk på gasflaske/regulator. 3. Opsætning og placering af ovn. 4. Vejrforhold. 5. Gasbrænderen er baggrundsbelyst (typisk ledsaget af en brølende lyd). 6. Visiret er blevet fjernet. 	<ol style="list-style-type: none"> 1. Sørg for, at gasflasken indeholder brændstof og står oprejst; en tom eller næsten tom dunk kan påvirke ydeevnen. Tjek for eventuelle knæk i gasslangen. 2. Vælg en passende gasflaske (trin 3) og regulatortryk (i henhold til typeskiltet). 3. Se installationsvejledningen (trin 1). Brug ovnen i et vindbeskyttet område, eller placer den i det mindste, så åbningen vender bort fra vinden. 4. Forvarmningstid og maksimal temperatur kan påvirkes af placering og vejrforhold. Justér den forventede forvarmningstid for at tage højde for varierende omgivelserforhold. Hvis din ovn har været udsat for fugt eller kulde, kan det tage længere tid at forvarme den. Opbevar pizzastenene under et vandtæt låg, og tag dem indendørs, hvis de ikke skal bruges i længere tid. 5. Følg trinene for at slukke for gasbrænderen, vent 5 minutter, og tænd derefter ovnen igen (trin 4.1). 6. Forvarmningstiden og den maksimale temperatur kan blive påvirket, når du laver mad uden visir. Installér igen for at sikre, at temperaturerne kan nås.
Overdrevent sodede flammer/sod på ovnens indre og visir.	<ol style="list-style-type: none"> 1. Brændende madrester. 2. Forkert opsætning eller inkompatibel gasflaske eller regulator. 3. Blokeret gasventil. 	<ol style="list-style-type: none"> 1. Se Ooni-appen for instruktioner til madlavning. Undgå at bruge for meget mel til at lave din pizza, og fjern alle madrester, der falder ned på pizzastenen. Brug en Ooni-pizzaovnbørste til at rengøre pizzastenen mellem tilberedningerne. 2. Sørg for, at din ovn er samlet korrekt, og at du bruger den korrekte gasflaske (trin 3) og regulator (i henhold til målepladen). 3. Kontakt Ooni-kundeservice.
Problemer med bagning		 <p>Scan for at downloade Ooni-appen med pizzatips, opskrifter og fejlfinding.</p> <p>Du kan også kontakte vores Ooni-kundeservice på support.ooni.com</p>

Hvis problemet vedvarer, bedes du kontakte Ooni-kundeservice på support.ooni.com.

Model: UU-P2B800 Ooni Koda 2 Max	I3+ (28-30/37)	I3B/P(30)	
Ooni Limited, Unit 5, Ooni Park, 189 West Main Street, Broxburn, EH52 5LH, UK	Butane	Propane	Butane, propane or their mixture
	28-30 mbar	37 mbar	28-30 mbar
Read the instructions before using this appliance. Use outdoors only. WARNING: Accessible parts may be very hot, keep young children away. Pizza oven PIN: 2575DP40644	11kw (801 g/h)	11kw (801 g/h)	
	Injector size/Marking: 1.2mm x 2 / 1.20		
	A (outdoors use only)		
	CY, GR, ES, TR	BG, CZ, DK, EE, GR, ES, FI, HR, HU, IL, IS, IT, LT, LV, NL, NO, PL, PT, RO, SA, SE, SI, SK, TR	

Dieses Handbuch enthält wichtige Informationen, die für den sicheren Betrieb Ihres Backofens unerlässlich sind. Lesen Sie dieses Handbuch vollständig durch, bevor Sie Ihren Ooni Koda 2 Max Backofen zusammenbauen, installieren, benutzen oder warten.

Die Nichtbeachtung dieser Anweisungen kann zu Sachschäden, Feuer, schweren Körperverletzungen oder sogar zum Tod führen.

⚠️ WARNUNG

Lesen Sie die Anleitung vor der Benutzung des Geräts und bewahren Sie sie zum späteren Nachschlagen auf.

Nur im Freien verwenden.

Zugängliche Teile können sehr heiß sein. Halten Sie kleine Kinder fern.

Dieses Gerät muss während des Gebrauchs von brennbaren Materialien ferngehalten werden.

Bewegen Sie das Gerät während des Gebrauchs nicht.

Drehen Sie nach dem Gebrauch die Gaszufuhr an der Gas Zylinder ab.

Seien Sie vorsichtig, wenn Sie die Gas Zylinder anbringen oder wechseln, und halten Sie sich dabei von Zündung quellen fern.

Nehmen Sie keine Änderungen am Gerät vor.

Dieses Gerät ist während des Gebrauchs sehr heiß.

Lassen Sie den Ofen vollständig abkühlen, bevor Sie ihn abdecken oder bewegen.

Berühren Sie niemals die äußeren Metallflächen, den Pizzastein oder das Glas, wenn der Ofen eingeschaltet ist.

Achten Sie beim Aufstellen darauf, dass die Öffnung des Ofens windabgewandt ist. Stellen Sie den Ofen mindestens einen Meter von einem Gebäude oder brennbarem Material entfernt auf. Nicht bei stürmischem Wetter oder starkem schwerfall verwenden.

Drehen Sie vor dem Anschließen der Gas Zylinder beide Drehregler auf die Position OFF.

Schließen Sie nur die auf dem Typenschild aufgeführten Gase an.

Nur für Flaschen unter 13 kg, mit einem maximalen Durchmesser von 315 mm und einer maximalen Höhe von 580 mm.

Der Gasschlauch muss nach EN16436 mit einer maximalen Länge von 1,5 m zertifiziert sein.

Wenn Sie zu irgendeinem Zeitpunkt Gas riechen, schließen Sie die Gas Zylinder oder das Regulierventil, drehen Sie die

Drehregler am Backofen auf die Position OFF und löschen Sie alle offenen Flammen.

Tragen Sie keine weite Kleidung, wenn Sie den Ofen bedienen oder sich in seiner Nähe aufhalten.

Bewahren Sie niemals Ersatz Gas Zylindern unter oder in der Nähe des Ofens auf.

Prüfen Sie niemals mit einer offenen Flamme auf Undichtigkeiten und versuchen Sie nicht, die Brenner während der Prüfung zu entzünden.

Stellen Sie sich beim Anzünden zur Seite. Schauen Sie niemals direkt in die Öffnung des Ofens oder in die Flamme.

Verwenden Sie niemals chemische Reinigungsmittel oder Seifen auf der Oberfläche des Pizzasteins.

Gießen Sie niemals Wasser auf den Pizzastein, da er dadurch Risse bekommen kann.

Tragen Sie Hitzeschutzhandschuhe bei der Benutzung des Ofens und beim Umgang mit besonders heißem Kochgeschirr.

Versuchen Sie niemals, den Backofen zu reinigen oder zu warten, während er heiß ist oder in Betrieb ist.

Verwenden Sie keine Scheuermittel oder Scheuerschwämme, um den Backofen zu reinigen.

Verwenden Sie nur von Ooni genehmigtes oder offizielles Zubehör und Ersatzteile. Nichtbeachtung kann zu Verletzungen oder Schäden an Ihrem Gerät oder Eigentum führen.

Wenn der Ofen nicht ordnungsgemäß funktioniert, schalten Sie den Ofen aus und wenden Sie sich an den Ooni-unterstützen.

Ersetzen Sie den Gasschlauch, wenn er beschädigt ist oder wenn die nationalen Bedingungen dies erfordern.

Abgedichtete Systeme des Geräts dürfen nicht manipuliert werden.

Seien Sie bei der Benutzung oder Reinigung des Backofens vorsichtig, da scharfe Kanten vorhanden sein können.

Erste Schritte

o Was ist in der Schachtel:

- | | | | |
|---|-----------------------------|---|--|
| a | Ooni Koda 2 Max Ofen | i | Digitaler Temperatur-Hub |
| b | Pizzastein (x2) | j | Montagewinkel |
| c | Vorderes Bein (x2) | k | Flügelmutter |
| d | Hinteres Bein | l | Seilzug für die Umgebungstemperatur (x2) |
| e | AA-Batterie für die Zündung | m | Lebensmittel-Sonde (x2) |
| f | Torx-Schlüssel | n | AA-Batterien (x2) |
| g | M5-Schrauben (x10) | o | Schrauben der Halterung |
| h | Streichholzhalter | | |

Koda 2 Max Montageanleitung

Digital Temperature Hub Montageanleitung

⚠️ **VORSICHT:** Ihr Ofen ist sehr schwer und erfordert zwei Personen zum Anheben, Zusammenbauen und Aufstellen.

NICHT den Ofen mit eingelegeten Pizzasteinen anheben.

IMMER Halten Sie den Backofen an der Unterseite des Sockels, **NIE** von der Innenseite der Oberschale.

1 Einrichtung und Montage

- Wählen Sie eine geeignete Position und Oberfläche für die Aufstellung.
 - Der große modulare Ooni-Tisch oder eine andere stabile Metall- oder Holzfläche ist ideal für den Backofen unterstützen. Stellen Sie Ihren Backofen nicht auf Plastik- oder Glastische. Achten Sie immer darauf, dass der Tisch das Gewicht des Ofens tragen kann.
 - Die Oberfläche sollte so beschaffen sein, dass die Öffnung des Ofens dem Wind abgewandt ist, und muss einen Meter von jeder Struktur oder brennbarem Material entfernt sein.
 - Wir empfehlen, den Ofen so aufzustellen, dass sich der Pizzastein in einer Höhe von 1,1 m über dem Boden befindet.
- Heben Sie den Deckel der Schachtel ab und legen Sie ihn umgedreht daneben.
- Heben Sie den mittleren äußeren Kastenprofil nach oben und weg, so dass die Verpackung, die die Seiten des Backofens schützt, herausfällt.
- Heben Sie den Ofen mit Hilfe einer anderen Person vorsichtig heraus und legen Sie ihn umgedreht auf den Deckel des Kartons, um die Oberseite zu schützen. Vergewissern Sie sich, dass alle Verpackungen aus dem Backofen entfernt wurden.
- Heben Sie die Papptrennwand im Inneren des Kartons an, um die Ofenfüße, die digitale Temperaturnabe, die Pizzasteine und andere Teile für die Montage freizulegen.

1.1 Anbringen der Beine

- Befestigen Sie das hintere Bein mit 4x M5-Schrauben und dem mitgelieferten Schraubendreher an der Basis.
- Stecken Sie das Kabel der Batteriekabel in die Buchse an der Unterseite des Ofens neben dem Fuß.
- Befestigen Sie die beiden vorderen Beine mit je 3x M5 Schrauben.

1.2 Einsetzen der Zündung batterie

- ⓘ Das Batteriefach für die Zündung befindet sich im hinteren Bein.
- Schrauben Sie die Kappe gegen den Uhrzeigersinn ab und legen Sie die mitgelieferte AA-Batterie ein, Achtung Sie dabei auf die +/- Richtungen.
 - Schrauben Sie die Kappe im Uhrzeigersinn wieder auf.

1.3 Folgen Sie der Montageanleitung für die digitale Temperaturnabe.

1.4 Einsetzen der Pizzasteine

- ⓘ Die Pizzasteine sind schwer; achten Sie darauf, dass Sie sich nicht die Finger einklemmen.
- Wenn Ihr Ofen auf dem Kopf steht: Drehen Sie den Backofen mit Hilfe einer anderen Person vorsichtig aufrecht und stellen Sie ihn dann an den vorgesehenen Platz.
 - Heben Sie den ersten Pizzastein mit beiden Händen vorsichtig an und positionieren Sie ihn so, dass seine abgerundete Ecke in die hintere Ecke des Ofens zeigt. Schieben Sie den Pizzastein in die richtige Position und achten Sie darauf, dass Sie die Pizzaleiste nicht Verstärkungsrippe.
 - Nehmen Sie mit beiden Händen den zweiten Pizzastein und wiederholen Sie den Vorgang auf der anderen Seite.
 - Um einen der beiden Pizzasteine herauszunehmen, drücken Sie mit einer Hand durch das Loch im Boden des Ofens, bis die Vorderseite des Pizzasteins hoch genug ist, um ihn mit der anderen Hand zu Greifer und herauszuschieben.
Niemals Versuchen Sie, die Pizzasteine zu entfernen, solange sie noch heiß sind.

2 Installation der Gasschlauchleitung (falls erforderlich)

- ⓘ Ihr Backofen wird mit einem Gasschlauch und einem Gasregler geliefert, die für die Gasversorgung in Ihrer Region geeignet sind. Wenn Sie eine alternative Gas Zylinder haben, wenden Sie sich an den Ooni-unterstützen.
- Schieben Sie den Schlauch auf das Anschlussstück.
 - Schieben Sie die Schlauchschelle über den Schlauch.
 - Ziehen Sie den Clip mit einem geeigneten Schraubendreher fest.

3 Anschluss an Gas

- ! Drehen Sie vor dem Anschließen der Gas Zylinder beide Drehregler auf die Position OFF.

⚠ WARNUNG

Nur für Flaschen unter 13 kg, mit einem maximalen Durchmesser von 315 mm und einer maximalen Höhe von 580 mm.

Seien Sie beim Anbringen oder Wechseln der Gas Zylinder vorsichtig und halten Sie sich von Zündung Quellen fern.

Zwischen dem Gerät und der Gas Zylinder sollte ein Mindestabstand von 635 mm eingehalten werden.

Schließen Sie nur Gase an, die auf dem Typenschild aufgeführt sind.

Terrassen-Gasregler

Dies ist eine Aufsteck-Gasarmatur. Vergewissern Sie sich, dass sich der schwarze Schalter in der horizontalen Position befindet, und drücken Sie dann die Taste unter dem schwarzen Schalter. Schieben Sie den Regler auf das Gas Zylinderventil, bis er einrastet.

POL-Gasregler

Dies ist eine Gasarmatur mit Gegenuhrzeigersinn-Gewinde. Vergewissern Sie sich, dass das Gas Zylinderventil vollständig geschlossen ist, und schrauben Sie dann den Regler auf den Gas Zylinderventilanschluss, bis er fest sitzt.

3.1 Anschließen der Gas Zylinder

- Das Gas Zylinderventil muss auf AUS stehen.
- Vergewissern Sie sich, dass die Drehregler des Backofens ebenfalls auf OFF gestellt sind.
- Überprüfen Sie die Ventilanschlüsse, den Anschlussöffnung und die Reglerbaugruppe. Entfernen Sie eventuelle Verschmutzungen und untersuchen Sie den Schlauch auf Schäden.
- Verbinden Sie die Reglerbaugruppe mit dem Ventil, indem Sie den Regler auf das Ventil schieben und die Handmutter gegen den Uhrzeigersinn drehen.
- Öffnen Sie das Flaschenventil vollständig, indem Sie den schwarzen Schalter am Regler gegen den Uhrzeigersinn drehen.

3.2 Prüfung auf undichte Stellen

- Prüfen Sie mit einem Lecksuchspray oder einer Lösung aus Spülmittel und Wasser jedes Mal, wenn Sie eine Armatur wieder anschließen oder die Gas Zylinder austauschen, auf Gaslecks.
- Verwenden Sie einen Pinsel oder eine Sprühflasche, um die Lösung auf die Anschlüsse und den Regler aufzutragen. Untersuchen Sie den Gasschlauch und tragen Sie die Lösung auf alle Risse auf, die Sie finden.
- Wenn ein Leck vorhanden ist, blubbert die Lösung. Wenn Sie ein Leck in der Schlaucharmatur feststellen, ziehen Sie die Verschraubung fest und prüfen Sie erneut auf Lecks. Wenn das Leck weiterhin besteht oder ein Riss im Schlauch undicht ist, **nicht** den Backofen zu bedienen. Wenden Sie sich an den Ooni-unterstützen, um Unterstützung zu erhalten.
- Wenn Sie ein Leck finden, **nicht** den Backofen in Betrieb nehmen; die Gas Zylinder entfernen. Wenn das Leck im Ofen oder im Schlauch zu finden ist, wenden Sie sich an den Ooni-unterstützen. Wenn das Leck im Gas Zylinderventil zu finden ist, wenden Sie sich an Ihren Gasversorger.

- ! Ersatzregler müssen nach EN16129 und Schläuche nach EN16436 mit einer maximalen Länge von 1,5 m zertifiziert sein.

3.3 Abklemmen der Gas Zylinder

- Drehen Sie die Drehregler der Gasbrenner auf die Position OFF.
- Drehen Sie den schwarzen Schalter am Regler im Uhrzeigersinn.
- Drücken Sie den Knopf des Reglers, um ihn von der Gas Zylinder zu lösen.
- Setzen Sie die Staubkappe auf das freiliegende Gas Zylinderventil, wenn Sie es nicht benutzen.

⚠ WARNUNG

Wenn Sie zu irgendeinem Zeitpunkt Gas riechen, schließen Sie die Gas Zylinder oder das Regulierventil, drehen Sie die Drehregler am Backofen auf die Position OFF und löschen Sie alle offenen Flammen.

Prüfen Sie niemals mit einer offenen Flamme auf Undichtigkeiten und versuchen Sie nicht, die Brenner während der Prüfung zu entzünden.

4 Beleuchtung Koda 2 Max

⚠ WARNUNG

Stellen Sie sich beim Anzünden zur Seite. Schauen Sie niemals direkt in die Öffnung des Ofens oder in die Flamme.



über die Drehregler; berühren Sie niemals die äußeren Metallflächen, den Pizzastein oder das Glas, während der Ofen eingeschaltet ist.

Wenn einer der Brenner nicht wie erwartet zündet, lesen Sie die Fehlersuchanleitung. Schalten Sie das Gas aus und warten Sie 5 Minuten, bevor Sie versuchen, den Ofen wieder anzuzünden. Bedienen Sie den Ofen nur

Tragen Sie Hitzeschutzhandschuhe bei der Benutzung des Ofens und beim Umgang mit besonders heißem Kochgeschirr.

4.1 Zündung

- i Der linke Drehknopf steuert den linken Brenner, der rechte Drehknopf steuert den rechten Brenner.
- a Halten Sie einen der beiden Drehregler gedrückt und drehen Sie ihn langsam gegen den Uhrzeigersinn, um das Gas zu entzünden. Nach dem Anzünden 5 Sekunden lang gedrückt halten, um die Flamme zu erhalten.
- b Prüfen Sie, ob sich das Gas entzündet hat.
 - Wenn ja, gehen Sie zu 4.3.
 - Wenn der Brenner nicht zündet, schalten Sie ihn aus, warten Sie 5 Minuten und versuchen Sie es dann erneut.
 - Wenn der Brenner beim zweiten Versuch nicht zündet, schalten Sie ihn aus, warten Sie 5 Minuten und folgen Sie dann Schritt 4.2.
- c Wenn die Flammen richtig gezündet werden, sollten sie wie auf der Abbildung aussehen.
- d Wenn einer oder beide Brenner versehentlich erlöschen, lesen Sie bitte unter Fehlersuche nach.

4.2 Anzünden des Ofens mit dem Streichholzhalter

- ! Schauen Sie beim Anzünden nie direkt in den Ofen; stellen Sie sich immer an die Seite und tragen Sie Handschuhe.
- i Wenn sich die Brenner auch nach mehreren Versuchen mit den Drehreglern nicht anzünden lassen, können Sie sie mit einem Streichholz anzünden. Der mitgelieferte Streichholzhalter wird an der Basis auf der gegenüberliegenden Seite des Bedienfeldes befestigt.
- a Wenn Sie bereits versucht haben, die Brenner mit den Drehreglern anzuzünden, schalten Sie das Gerät aus und warten Sie 5 Minuten, bis sich das Gas verflüchtigt hat.
- b Stecken Sie ein Streichholz in den Streichholzhalter, zünden Sie das Streichholz an und berühren Sie einen der Brenner durch die Öffnung des Ofens.
- c Drücken Sie den Drehknopf für den entsprechenden Brenner ein und drehen Sie ihn langsam auf Maximum. Der Brenner sollte sich sofort entzünden.
- d Drücken Sie den Drehregler nach der Zündung noch 5 Sekunden lang hinein und lassen Sie ihn dann los.
- e Wenn der Brenner nicht innerhalb von Sekunden zündet, drehen Sie den Drehregler auf OFF, warten Sie 5 Minuten und versuchen Sie es dann erneut.

4.3 Verwendung der Gasbrenner

- Drehen Sie den Drehregler, um die entsprechende Flamme und Temperatur nach Bedarf einzustellen.
 - Der Gasbrenner ist AUS.
 - Der Gasbrenner ist eingestellt auf **maximal** Flamme.
 - Der Gasbrenner ist eingestellt auf **Minimum** Flamme.
- Wiederholen Sie den Vorgang (beginnend bei 4.1), um den zweiten Brenner zu zünden.
- Zum Ausschalten, drücken Sie **im Einstellrad** und im Uhrzeigersinn bis zum Anschlag drehen, bis die entsprechende Flamme erloschen ist.

4.4 Würzen des Ofens

- i Sie müssen Ihren Backofen vor dem ersten Gebrauch würzen.
- ! Tragen Sie immer Handschuhe, wenn Sie Ihre Hand in den Ofen stecken.
- a Dazu den Backofen 30 Minuten lang bei höchster Temperatur laufen lassen.
- b Schalten Sie den Ofen aus und lassen Sie ihn vollständig abkühlen, dann wischen Sie das Innere mit trockenen Papiertüchern aus.

4.5 Ausschalten des Backofens

- Zum Ausschalten nach dem Würzen oder Garen drücken Sie den Drehregler ein und drehen ihn im Uhrzeigersinn, bis er stoppt und die entsprechende Flamme erlischt. Diesen Vorgang für beide Brenner wiederholen.
- Stellen Sie die Gaszufuhr ab und ziehen Sie den Regler ab.

4.6 Garen im Backofen

- Schalten Sie beide Brenner auf volle Leistung, um den Ofen und die Pizzasteine für mindestens 30 Minuten vorwärmen.
- Backen Sie nur Pizza und andere trockene, brotbasierte Gerichte direkt auf dem Pizzastein. Verwenden Sie zum Kochen von Fleisch, Gemüse oder anderen Gerichten die Ooni-Gusseisen und Ooni-Pfannen oder anderes von Ooni zugelassenes Kochzubehör.
- Der Ofen ist mit zwei unabhängigen Brennern ausgestattet, die es Ihnen ermöglichen, nur auf einer Seite des Ofens zu backen, auf beiden Seiten mit der gleichen Temperatur oder auf beiden Seiten mit unterschiedlichen Temperaturen, um verschiedene Pizzastile zu ermöglichen.

! **Niemals** in den Ofen greifen, um Speisereste, die auf den Pizzastein gefallen sind, zu entfernen. Lassen Sie es durchbrennen und nehmen Sie es heraus, sobald der Ofen abgekühlt ist. Weitere Tipps finden Sie im Abschnitt über die Reinigung des Pizzasteins im Kapitel über die Wartung dieses Handbuchs.

i Wir empfehlen dringend die Verwendung eines digitalen Ooni-Infrarotthermometers, um die Temperatur des Pizzasteins genau zu messen. Ihr Pizzastein heizt sich langsamer auf als die Luft im Ofen. (Um eine gute Pizza zu backen, braucht man ein ausgleichen aus beidem). Deshalb ist es wichtig, ein digitales Ooni-Infrarotthermometer sowie den digitalen Temperatur-Hub zu verwenden, um sicherzustellen, dass die Temperatur des Pizzasteins und der Luft sich in unmittelbarer Nähe befinden.

i Für alles, was Sie über das Kochen mit Koda 2 Max wissen müssen, laden Sie die Ooni-App herunter.

5 Anbringen des Visiers (falls erforderlich)



Scannen für Videoanleitungen

- Tragen Sie Schutzhandschuhe und achten Sie darauf, dass Ihr Ofen kühl ist.
- Öffnen Sie das schwenken mit dem Torxschlüssel, um die Schraube gegen den Uhrzeigersinn zu lösen.
- Führen Sie die rechte Seite des Visiers mit beiden Händen in die U-förmige Halterung oben rechts an der Öffnung des Ofens.
- Setzen Sie die linke Seite des Visiers in die Aussparung des linken schwenken.
- Legen Sie Ihren linken Löffelgreifer unter das schwenken und drücken Sie es vorsichtig nach oben, bis es flach am Ofengehäuse anliegt. Halten Sie das schwenken in dieser Position.
- Ziehen Sie die Schraube mit dem Torx-Schlüssel im Uhrzeigersinn an, um das schwenken zu sichern.
- Vergewissern Sie sich, dass das schwenken eingerastet ist.

5.1 Abnehmen des Visiers

Zur gründlichen Reinigung oder zum Garen größerer Speisen im Backofen gehen Sie wie folgt vor, um die Blende zu entfernen:

- Tragen Sie Schutzhandschuhe und achten Sie darauf, dass Ihr Ofen kühl ist.
- Legen Sie Ihren linken Löffelgreifer über die Schraube, um das schwenken zu stützen.
- Lösen Sie die Schraube mit dem Torx-Schlüssel gegen den Uhrzeigersinn, um das schwenken zu entriegeln.
- Senken Sie das Scharnier vorsichtig mit dem linken Löffelgreifer, damit sich das Visier absenken kann.
- Heben Sie die linke Seite des Visiers vorsichtig mit beiden Händen an und ziehen Sie es nach vorne, um es aus der rechten Halterung zu lösen.
- Um das Scharnier zu schließen, legen Sie Ihren linken Löffelgreifer unter das Scharnier und drücken es vorsichtig nach oben, bis es flach am Ofengehäuse anliegt. Halten Sie das Scharnier in Position und drehen Sie die Schraube im Uhrzeigersinn, um es zu verriegeln.
- Vergewissern Sie sich, dass das schwenken eingerastet ist.

6 Pflege- und Wartungshinweise

⚠️ WARNUNG

Versuchen Sie niemals, den Backofen zu reinigen oder zu warten, während er heiß ist oder in Betrieb ist.

Tragen Sie bei der Reinigung des Backofens immer Handschuhe.

Verwenden Sie keine Scheuermittel oder Scheuerschwämme, um den Backofen zu reinigen.

Verwenden Sie keine chemischen Reinigungsmittel für lackierte Oberflächen.

Seien Sie vorsichtig, wenn Sie das Innere des Backofens reinigen, da scharfe Kanten vorhanden sein können.

Decken Sie den Ofen immer ab, wenn Sie ihn im Freien aufbewahren.

6.1 Reinigung des Innenraums

- Schalten Sie den Backofen nach jedem Gebrauch aus, lassen Sie ihn vollständig abkühlen und wischen Sie die Innenflächen und die Brennerrohre mit trockenen Papiertüchern ab.
- Wenn das Glasvisier verschmutzt ist, können Sie es vorsichtig mit einem feuchten Tuch oder einem trockenen Papiertuch reinigen. Bei hartnäckigen Flecken entfernen Sie das Visier gemäß der beiliegenden Anleitung (Schritt 5.1).

6.2 Reinigung des Äußeren

- Die Außenhülle des Koda 2 Max kann mit warmer Seifenlauge abgewischt und sofort getrocknet werden. Vermeiden Sie scheuernde Reinigungsmittel oder solche mit scharfen Chemikalien.
- Sofort abtrocknen und mit dem Koda 2 Max Cover abdecken.

6.3 Reinigung der Pizzasteine

! **Niemals** keine chemischen Reinigungsmittel oder Seifen auf den Pizzasteinen verwenden. **Niemals** setzen Sie Ihre Pizzasteine keinem Wasser aus.

Die Pizzasteine müssen nicht gewaschen werden; es ist völlig normal, dass sich ihr Aussehen mit der Zeit verändert.

- Schalten Sie den Backofen 45 Minuten lang auf volle Leistung, ohne darin zu kochen. Der Pizzastein reinigt sich bei hohen Temperaturen selbst, und alle Speisereste oder Ablagerungen werden zu Asche.
- Lassen Sie den Ofen vollständig abkühlen und bürsten Sie dann die Asche mit einer Ooni-Pizza-Ofenbürste ab. Anmerkung: Ihre Ofenpizzasteine sind symmetrisch und doppelseitig, so dass Sie sie zwischen den Einsätzen umdrehen können (sobald sie abgekühlt sind) und beim nächsten Mal alle hartnäckigen Rückstände von unten wegbrennen können.


6.4 Auswechseln der Zündungsbatterie

- Das Batteriefach für die Zündung befindet sich im hinteren Bein.
 - Schrauben Sie den Deckel gegen den Uhrzeigersinn ab, um die alte Batterie zu entfernen, und ersetzen Sie sie durch eine neue, wobei Sie auf die Vorzeichen achten müssen.
 - Schrauben Sie die Kappe im Uhrzeigersinn wieder auf.
 - Entsorgen Sie die alte Batterie auf sichere Weise.
- i** Wenn Sie den Ofen länger als einen Monat lagern, nehmen Sie die Batterie heraus.


Verlängern Sie Ihre 1-Jahres-Garantie kostenlos auf 5 Jahre*, wenn Sie Ihr Produkt registrieren unter ooni.com/warranty innerhalb von 60 Tagen nach dem Kauf.*

*Es gelten die allgemeinen Geschäftsbedingungen

Fehlersuche

Ausgabe	Mögliche Ursache	Lösung
Mein Ofen zündet nicht	<ol style="list-style-type: none"> 1. Unsachgemäße Einrichtung. 2. Unzureichender Gas fließen. 3. Der Regler ist nicht korrekt angebracht. 4. Kein Funken aus der Zündung. 5. Es gibt einen Funken oder ein auf etwas klicken, aber das Gas entzündet sich nicht. 	<ol style="list-style-type: none"> 1. Vergewissern Sie sich, dass der Ofen wie in Schritt 1 beschrieben eingestellt ist. 2. Vergewissern Sie sich, dass die Gas Zylinder Kraftstoff enthält und sich in aufrechter Position befindet; eine leere oder fast leere Flasche könnte die Leistung beeinträchtigen. Prüfen Sie, ob der Gasschlauch geknickt ist. 3. Stellen Sie sicher, dass der Regler richtig an der Gas Zylinder befestigt ist. 4. Prüfen Sie, ob die Zündung batterie vorhanden, richtig eingesetzt und geladen ist (Schritt 1.2). Stellen Sie sicher, dass das Zündseilzug richtig eingesteckt ist (Schritt 1.1). 5. Bitte kontaktieren Sie den Ooni-Kundenservice. Bei Bedarf können Sie auch ein Streichholz und den Streichholzhalter (Schritt 4.2) zum Anzünden verwenden.
Meine Ofenbrenner zünden, bleiben aber nicht an.	<ol style="list-style-type: none"> 1. Das Flammenüberwachungsgerät (FSD) ist nicht aktiviert. 2. Das FSD-Thermoelement ist verschmutzt. 3. Das FSD-Thermoelement ist defekt. 	<ol style="list-style-type: none"> 1. Befolgen Sie die Schritte zur Beleuchtung genau (Schritt 4). Achten Sie darauf, dass Sie nach der Zündung den Drehregler mindestens 5 Sekunden lang gedrückt halten, um die Flammenüberwachungseinrichtung (FSD) zu aktivieren. 2. Schalten Sie die Gaszufuhr ab, warten Sie, bis der Ofen abgekühlt ist, reinigen Sie das FSD-Thermoelement vorsichtig mit einem feuchten Tuch und lassen Sie es vor dem erneuten Anzünden vollständig trocknen. (Eventuell müssen Sie das Visier abnehmen, um den Zugang zu erleichtern). 3. Wenn die Schritte 1 und 2 das Problem nicht beheben, wenden Sie sich an den Ooni-Kundendienst.
Mein Ofen wird nicht heiß genug.	<ol style="list-style-type: none"> 1. Unzureichender Gas fließen. 2. Gas Zylindern-/Reglerdruck. 3. Einrichtung und Positionierung des Ofens. 4. Wetterbedingungen. 5. Der Gasbrenner leuchtet zurück (typischerweise begleitet von einem röhrenden Geräusch). 6. Das Visier ist entfernt worden. 	<ol style="list-style-type: none"> 1. Vergewissern Sie sich, dass die Gas Zylinder Kraftstoff enthält und aufrecht steht; eine leere oder fast leere Dose könnte die Leistung beeinträchtigen. Prüfen Sie, ob der Gasschlauch geknickt ist. 2. Wählen Sie eine geeignete Gas Zylinder (Schritt 3) und den Reglerdruck (gemäß Typenschild). 3. Siehe Anweisungen zur Einrichtung (Schritt 1). Verwenden Sie den Backofen an einem windgeschützten Ort oder stellen Sie ihn zumindest so auf, dass die Öffnung windabgewandt ist. 4. Die Vorwärmzeit und die Höchsttemperatur können durch den Standort und die Wetterbedingungen beeinflusst werden. Passen Sie die voraussichtliche Vorwärmzeit den unterschiedlichen Umgebungsbedingungen an. Wenn Ihr Ofen Feuchtigkeit oder Kälte ausgesetzt war, kann es länger dauern, bis er vorgeheizt ist. Bewahren Sie die Pizzasteine unter einer wasserdichten Abdeckung auf und bringen Sie sie bei längerem Nichtgebrauch ins Haus. 5. Befolgen Sie die Schritte zum Ausschalten des Gasbrenners, warten Sie 5 Minuten und zünden Sie dann den Ofen erneut an (Schritt 4.1). 6. Die Vorwärmzeit und die Höchsttemperatur können beim Garen ohne Visier beeinträchtigt werden. Erneut einbauen, um sicherzustellen, dass die gewünschten Temperaturen erreicht werden können.
Übermäßig rußige Flamme/Ruß auf der Innenseite des Ofens und dem Visier.	<ol style="list-style-type: none"> 1. Brennende Essensreste. 2. Falsche Einstellung oder inkompatible Gas Zylinder oder Regler. 3. Verstopfte Gasventuri. 	<ol style="list-style-type: none"> 1. Hinweise zum Kochen finden Sie in der Ooni-App. Verwenden Sie nicht zu viel Mehl, um Ihre Pizza zu belegen, und entfernen Sie Lebensmittelreste, die auf den Pizzastein fallen. Verwenden Sie eine Ooni-Pizzaofenbürste, um den Pizzastein zwischen den Backvorgängen zu reinigen. 2. Vergewissern Sie sich, dass Ihr Ofen richtig zusammengesetzt ist und dass Sie die richtige Gas Zylinder (Schritt 3) und den richtigen Regler (gemäß Typenschild) verwenden. 3. Kontaktieren Sie den Ooni-Kundenservice.
Probleme beim Kochen		 <p>Scannen Sie, um die Ooni-App für Pizzatipps, Rezepte und Fehlerbehebung herunterzuladen.</p> <p>Sie können auch unseren Ooni-Kundenservice unter support.ooni.com kontaktieren.</p>

Sollte das Problem weiterhin bestehen, wenden Sie sich bitte an den Ooni-Kundendienst unter support.ooni.com.

Model: UU-P2B800 Ooni Koda 2 Max	I3+ (28-30/37)	I3B/P(30)	
Ooni Limited, Unit 5, Ooni Park, 189 West Main Street, Broxburn, EH52 5LH, UK	Butane	Propane	Butane, propane or their mixture
	28-30 mbar	37 mbar	28-30 mbar
Read the instructions before using this appliance. Use outdoors only. WARNING: Accessible parts may be very hot, keep young children away.	11kw (801 g/h)	11kw (801 g/h)	
	Injector size/Marking: 1.2mm x 2 / 1.20		
	A (outdoors use only)		
	CY, GR, ES, TR	BG, CZ, DK, EE, GR, ES, FI, HR, HU, IL, IS, IT, LT, LV, NL, NO, PL, PT, RO, SA, SE, SI, SK, TR	
Pizza oven PIN: 2575DP40644	 2575-24		

Este manual de instrucciones contiene información importante, necesaria para el montaje adecuado y el uso seguro del dispositivo. Lea y siga todas las advertencias e instrucciones antes de ensamblar y usar el dispositivo. Siga todas las advertencias e instrucciones cuando utilice el dispositivo.

Guarde este manual para futuras consultas.

⚠ ADVERTENCIA

Lea las instrucciones antes de utilizar el aparato y consérvelos para referencia futura.

Úselo únicamente en exteriores.

Las partes accesibles pueden estar muy calientes. Mantente joven niños lejos.

Este aparato debe mantenerse alejado de materiales inflamables. materiales durante su uso.

No mueva el aparato durante su uso.

Cierre el suministro de gas en el cilindro de gas después de su uso.

Tenga cuidado al colocar o cambiar el cilindro de gas. y hacerlo lejos de cualquier fuente de ignición.

No modifique el aparato.

Este aparato se calienta mucho durante su uso.

Deje que el horno se enfríe completamente antes de taparlo o moviéndolo.

Opere utilizando únicamente los diales de control; nunca toque las superficies metálicas exteriores, piedra para pizza o vidrio mientras el horno está encendido.

Al instalarlo, asegúrese de que la boca del horno de cara al viento. Coloque el horno al menos a un metro de cualquier estructura o combustible material. No lo utilice en climas tormentosos o con mucha nieve.

Gire ambos diales de control a la posición APAGADO antes conectando el cilindro de gas.

Conecte únicamente los gases que figuran en la placa de características.

Usar sólo con cilindros de menos de 13 kg, con un máximo diámetro de 315 mm y una altura máxima de 580 milímetros.

La manguera de gas debe estar certificada según EN16436 con un máximo longitud de 1,5 m.

Si en algún momento huele gas, cierre el cilindro de gas o válvula reguladora, gire los diales de control del horno a la posición

APAGADO y apague cualquier llama abierta.

No use ropa holgada cuando opere o esté de pie cerca del horno.

Nunca guarde cilindros de gas de repuesto debajo o cerca del horno.

Nunca utilice limpiadores químicos o jabones en la superficie de piedra.

Encienda los quemadores mientras realiza la prueba.

Párese a un lado cuando encienda. Nunca mire directamente a la boca del horno o al fuego.

Nunca utilices limpiadores químicos o jabones en la pizza. superficie de piedra.

Nunca vierta agua sobre la piedra para pizza, ya que esto puede hacer que se agriete.

Utilice guantes protectores contra el calor cuando utilice el horno y al manipular aparatos de cocina especialmente calientes.

Nunca intente realizar tareas de limpieza o mantenimiento mientras el horno está caliente o en uso.

No utilice limpiadores abrasivos ni estropajos para limpiar cualquier parte del horno.

Utilice únicamente piezas de repuesto y accesorios oficiales o aprobados por Ooni.

No hacerlo podría causar lesiones o daños a su horno o propiedad

Si el horno funciona de manera extraña, apáguelo y contacte con el soporte de Ooni.

Reemplace la manguera de gas si está dañada o cuando sea nacional. las condiciones lo requieren.

Los sistemas sellados del aparato no deberán ser manipulados.

Tenga cuidado al usar o limpiar el horno porque es posible que haya bordes afilados.

Primeros pasos

0 Contenido de la caja:

- | | |
|---------------------------------|---|
| a Horno Ooni Koda 2 Max | i Centro de temperatura digital |
| b Piedra para pizza (x2) | j Soporte de montaje |
| c Pata delantera (x2) | k Tuerca de mariposa |
| d Pata trasera | l Cable de temperatura ambiente (x2) |
| e Pila AA para encendido | m Sonda de alimentos (x2) |
| f Llave Torx | n Pilas AA (x2) |
| g Tornillos M5 (x10) | o Tornillos de soporte |
| h Sujetacerillas | |

Instrucciones de montaje del Koda 2 Max

Instrucciones de montaje del centro de temperatura digital

⚠ PRECAUCIÓN: El horno es muy pesado y serán necesarias dos personas para levantarlo, montarlo y colocarlo.

NO levante el horno con las piedras para pizza en su lugar.

SIEMPRE sostenga el horno desde la parte inferior de la base, **NUNCA** desde el interior de la carcasa superior.

1 Configuración y montaje

- Elija una posición y una superficie adecuadas para la configuración.
 - La mesa modular grande Ooni u otra superficie resistente de metal o madera son ideales como soporte del horno. No coloque el horno sobre mesas de plástico o cristal. Asegúrese siempre de que la mesa pueda soportar el peso del horno.
 - La superficie debe permitir que la boca del horno mire en dirección opuesta al viento y debe estar a un metro de distancia de cualquier estructura o material combustible.
 - Recomendamos colocar el horno de modo que la piedra para pizza se sitúe a una altura de 1,1 m del suelo.
- Levante la tapa de la caja y colóquela boca abajo cerca.
- Levante la sección central de la caja exterior hacia arriba y hacia afuera permitiendo que se abra el embalaje que protege los lados del horno.
- Con la ayuda de otra persona, levante con cuidado el horno y colóquelo boca abajo sobre la tapa de la caja para proteger la parte superior. Asegúrese de retirar todo el embalaje del horno.
- Levante el divisor de cartón dentro de la caja para extraer las patas del horno, el centro de temperatura digital, las piedras para pizza y otras piezas para el montaje.

1.1 Montaje de las patas

- Fije la pata trasera a la base con 4 tornillos M5 mediante la llave Torx incluida.
- Enchufe el cable de la pila de encendido en la toma de la base del horno junto a la pata.
- Fije las dos patas delanteras con 3 tornillos M5 cada una.

1.2 Instalación de la pila de encendido

- i** El compartimiento de la pila de encendido se encuentra dentro de la pata trasera.
- Desenrosque la tapa en sentido contrario a las agujas del reloj e instale la pila AA suministrada, prestando atención a las indicaciones +/-.
 - Vuelva a enroscar el tapón en el sentido de las agujas del reloj.

1.3



Siga las instrucciones de montaje del centro de temperatura digital para instalarlo.

1.4 Introducción de las piedras para pizza

- !** Las piedras para pizza son pesadas; tenga cuidado de no pillarse los dedos.
- Si el horno está boca abajo: con la ayuda de otra persona, gire con cuidado el horno en posición vertical y luego colóquelo en el lugar previsto.
 - Con ambas manos, levante con cuidado la primera piedra para pizza y colóquela de modo que la esquina redondeada quede orientada hacia la esquina posterior del horno. Deslice la piedra para pizza en su posición, teniendo cuidado de no rayar la repisa para la pizza.
 - Con ambas manos, coja la segunda piedra para pizza y repita el proceso en el otro lado.
 - Para extraer cualquiera de las piedras para pizza, use una mano para empujar hacia arriba a través del orificio en la base del horno hasta que la parte delantera de la piedra para pizza se incline lo suficientemente alto como para agarrarla y deslizarla hacia afuera con la otra mano. **Nunca** intente extraer las piedras para pizza mientras estén calientes.

2 Instalación y extracción de la manguera (si es necesario)

Apriete en el sentido de las agujas del reloj con una llave adecuada. Proporcione apoyo en sentido contrario a las agujas del reloj al tubo de entrada de gas con una llave adicional.

i Las conexiones del regulador y la manguera variarán según su región.

3 Conexión al gas

Compruebe que ambos diales de gas del producto estén en la posición OFF antes de conectar el suministro de gas.

3.1 Conexión al suministro de gas natural

- Inserte la manguera del horno «A» en el conector rápido «B»
 - Nota. El conector rápido tiene una rosca de tornillo NPT de 3/8" en el extremo que se ajusta al suministro de gas de su hogar. Si no lo tiene preinstalado, le recomendamos que se ponga en contacto con un técnico de gas para que le asesore.
- Si se descubre una fuga en cualquier lugar desde el horno hasta la conexión rápida, no use el horno. Desconecte la línea de gas y póngase en contacto con el servicio de atención al cliente de Ooni.
- Si se descubre una fuga en la línea de gas de la red, corte el gas en la red y póngase en contacto con un técnico de gas.

3.2 Pruebas de fugas

- Usando un aerosol detector de fugas o una solución de agua y líquido lavavajillas, verifique si hay fugas de gas cada vez que vuelva a conectar un accesorio o reemplace el suministro de gas utilizado.
 - Use una brocha o un pulverizador para aplicar la solución a las conexiones y al regulador. Inspeccione la manguera de gas y aplique la solución a las grietas que observe.
 - Si hay una fuga, la solución burbujeará. Si observa una fuga en el accesorio de la manguera, apriételo y vuelva a verificar si hay fugas. Si la fuga persiste o hay una grieta en la manguera, **no** utilice el horno. Póngase en contacto con la asistencia de Ooni para obtener ayuda.
 - Si descubre una fuga, **no** utilice el horno. Si la fuga se descubre en el horno o la manguera, póngase en contacto con la asistencia de Ooni. Si la fuga se detecta en la válvula de la bombona de gas, póngase en contacto con su proveedor de gas.
- !** Los reguladores de repuesto deben estar certificados para la EN16129 y las mangueras para la EN16436, con una longitud máxima de 5 pies (1,5 m).

3.3 Desconexión del gas

- Cierre la válvula del quemador del horno y asegúrese de que el horno esté frío.
- Desconecte el suministro de gas natural.

3.4 Comprobación de la presión

El dispositivo debe aislarse del sistema de tuberías de suministro de gas cerrando su válvula de cierre manual individual durante cualquier prueba de presión del sistema de tuberías de suministro de gas a presiones iguales o inferiores a 1/2 psi (3,5 kPa).

⚠ ADVERTENCIA

Si en algún momento huele a gas, cierre la válvula reguladora, gire los diales de control del horno a la posición OFF y apague las llamas abiertas.

Vuelva a revisar la manguera del horno y la conexión de la línea principal en busca de fugas.

Nunca verifique si hay fugas con una llama desnuda ni intente encender los quemadores durante la prueba.

4 Encendido del Koda 2 Max

⚠ ADVERTENCIA

Póngase a un lado durante el encendido. Nunca mire directamente a la boca del horno o a la llama.



Utilícelo usando solo los diales de control; nunca toque las superficies metálicas exteriores, la piedra para pizza o el cristal mientras el horno está encendido.

Use guantes protectores contra el calor cuando use el horno y cuando manipule accesorios de cocina particularmente calientes.

4.1 Ignición

- i** El dial izquierdo controla el quemador izquierdo; el dial derecho controla el quemador derecho.
- Mantenga presionado cualquiera de los diales de control mientras gira lentamente en sentido contrario a las agujas del reloj para encender el gas. Una vez encendido, continúe presionando durante 5 segundos para mantener la llama.
 - Verifique que el gas se haya encendido.
 - En caso afirmativo, vaya al paso 4.3.
 - Si el quemador no se enciende, cambie a la posición OFF, espere 5 minutos y vuelva a intentarlo.
 - Si el quemador no se enciende después del segundo intento, cambie a la posición OFF, espere 5 minutos y luego siga el paso 4.2.
 - Si las llamas se encienden correctamente, deberían parecerse a las de la ilustración.
 - Si uno o ambos quemadores se apagan accidentalmente, consulte la solución de problemas.

4.2 Encendido del horno con el sujetacerillas

- !** Nunca mire directamente al horno cuando lo encienda; póngase siempre a un lado y use guantes en todo momento.
- i** Si los quemadores no se encienden después de varios intentos con los diales de control, puede encenderlos con una cerilla. El sujetacerillas suministrado está unido a la base en el lado opuesto al panel de control.
- Si ya ha intentado encender los quemadores con los diales de control, primero cambie a la posición OFF y espere 5 minutos para que se disipe el gas.
 - Introduzca una cerilla en el sujetacerillas, enciéndala y vaya pasándola por los quemadores a través de la boca del horno.
 - Presione el dial de control que corresponda al quemador y gírelo lentamente al máximo. El quemador debe encenderse inmediatamente.
 - Continúe presionando el dial de control durante 5 segundos después del encendido y, a continuación, suéltelo.
 - Si el quemador no se enciende en cuestión de segundos, ponga el dial de control en posición OFF, espere 5 minutos y vuelva a intentarlo.

4.3 Uso de los quemadores de gas

- Gire el dial de control para ajustar la llama y la temperatura correspondientes según sea necesario.
 - El quemador de gas está apagado.
 - El quemador de gas está ajustado a la llama **máxima**.
 - El quemador de gas está ajustado a la llama **mínima**.
- Repita el proceso (a partir del paso 4.1) para encender el segundo quemador.
- Para apagarlo, **presione el dial de control** y gírelo en el sentido de las agujas del reloj hasta que se detenga y se apague la llama correspondiente.

4.4 Acondicionamiento del horno

- i** Debe acondicionar el horno antes de cocinar en él por primera vez.
- !** Use siempre guantes cuando meta la mano dentro del horno.
- Para ello, haga funcionar el horno a temperatura máxima durante 30 minutos.
 - Apague el horno y deje que se enfríe por completo; a continuación, limpie el interior con toallas de papel secas.

4.5 Apagado del horno

- Para apagarlo después de acondicionarlo o de cocinar, presione el dial de control y gírelo en el sentido de las agujas del reloj hasta que se detenga y se apague la llama correspondiente. Repítalo para ambos quemadores.
- Desconecte el suministro de gas natural.

4.6 Cocinar en el horno

- Encienda ambos quemadores a máxima potencia para precalentar el horno y las piedras para pizza durante al menos 30 minutos.
 - Cocine solo pizza y otros platos secos a base de pan directamente sobre la piedra para pizza. Para cocinar carne, verduras u otros platos, utilice la gama de sartenes de hierro fundido Ooni u otros accesorios de cocina aprobados por Ooni.
 - El horno está equipado con dos quemadores independientes, lo que le permite cocinar en un solo lado del horno, en ambos lados a la misma temperatura o en ambos lados a diferentes temperaturas, para adaptarse a diferentes estilos de pizza.
- !** **Nunca** meta la mano en el horno para limpiar los restos de comida que hayan caído sobre la piedra para pizza. Deje que se quemen y luego retírelos una vez que el horno se haya enfriado. Consulte el procedimiento de limpieza de piedras para pizza en la sección de mantenimiento de este manual para descubrir otros consejos.
- i** Recomendamos encarecidamente utilizar un termómetro infrarrojo digital Ooni para medir con precisión la temperatura de la piedra para pizza. La piedra para pizza se calentará más lentamente que el aire dentro del horno. (Para cocinar una pizza a la perfección, necesita un equilibrio entre ambos). Por ello, es importante usar un termómetro infrarrojo digital Ooni, así como el centro de temperatura digital, a fin de asegurarse de que las temperaturas de la piedra para pizza y el aire sean parecidas.
- i** Para consultar toda la información sobre cómo cocinar con el Koda 2 Max, descárguese la aplicación Ooni.

5 Instalación de la visera (si es necesario)



Escanee el código para las instrucciones en vídeo

- ! Use guantes protectores y asegúrese de que el horno esté frío.
- a. Abra la bisagra usando la llave Torx para aflojar el tornillo en sentido contrario a las agujas del reloj.
- b. Con ambas manos, guíe el lado derecho de la visera hacia el soporte en forma de U en la parte superior derecha de la boca del horno.
- c. Coloque el lado izquierdo de la visera en el hueco de la bisagra izquierda.
- d. Coloque el pulgar izquierdo debajo de la bisagra y empújelo suavemente hacia arriba hasta que quede plano contra el cuerpo del horno. Sostenga la bisagra en esta posición.
- e. Utilice la llave Torx para apretar el tornillo en el sentido de las agujas del reloj, bloqueando la bisagra.
- f. Asegúrese de que la bisagra quede bloqueada en su sitio.

5.1 Extracción de la visera

Para una limpieza profunda o cocinar productos más grandes en el horno, siga estos pasos para extraer la visera:

- ! Use guantes protectores y asegúrese de que el horno esté frío.
- a. Coloque el pulgar izquierdo sobre el tornillo para sostener la bisagra.
- b. Utilice la llave Torx para aflojar el tornillo en sentido contrario a las agujas del reloj, desbloqueando la bisagra.
- c. Baje suavemente la bisagra con el pulgar izquierdo, lo que permitirá que la visera descienda.
- d. Use ambas manos para levantar con cuidado el lado izquierdo de la visera y tire hacia adelante para liberar la visera del soporte derecho.
- e. Para cerrar la bisagra, coloque el pulgar izquierdo debajo de la bisagra y empújelo suavemente hacia arriba hasta que quede plano contra el cuerpo del horno. Mantenga la bisagra en su sitio y gire el tornillo en el sentido de las agujas del reloj para bloquearlo.
- f. Asegúrese de que la bisagra quede bloqueada en su sitio.

6 Instrucciones de cuidado y mantenimiento

! ADVERTENCIA

Nunca intente limpiar o realizar el mantenimiento del horno mientras el horno esté caliente o en uso.

Use siempre guantes cuando limpie el horno.

No utilice limpiadores abrasivos ni estropajos para limpiar

ninguna parte del horno.

No utilice limpiadores químicos en superficies pintadas.

Tenga cuidado al limpiar el interior del horno, ya que puede haber bordes afilados.

6.1 Limpieza del interior

- a. Después de cada uso, apague el horno y deje que se enfríe por completo antes de limpiar las superficies interiores y a lo largo de los tubos del quemador con toallas de papel secas.
- b. Si la visera de cristal está sucia, puede limpiarla cuidadosamente con un paño húmedo o una toalla de papel seca. En caso de manchas difíciles, retire la visera de acuerdo con las instrucciones incluidas (paso 5.1).

6.2 Limpieza del exterior

- a. La carcasa exterior del Koda 2 Max se puede limpiar con agua tibia y jabón y secar inmediatamente. Evite los productos de limpieza abrasivos o con productos químicos agresivos.
- b. Seque inmediatamente el horno y cúbralo con la funda Koda 2 Max.

6.3 Limpieza de las piedras para pizza

! **Nunca** use limpiadores químicos o jabones en las piedras para pizza. **Nunca** exponga las piedras para pizza al agua.

No es necesario lavar las piedras para pizza; es perfectamente normal que su apariencia cambie con el tiempo.


- a. Encienda el horno a máxima potencia durante 45 minutos sin cocinar en él. La piedra para pizza se limpiará sola a altas temperaturas y cualquier resto de comida o residuo se convertirán en cenizas.
- b. Deje que el horno se enfríe por completo y, a continuación, cepille la ceniza con un cepillo de horno para pizza Ooni. Nota: Las piedras para pizza del horno son simétricas y de doble cara, por lo que puede darles la vuelta entre usos (una vez que se enfríen) y quemar cualquier residuo persistente de debajo la próxima vez que cocine.

6.4 Reemplazo de la pila de encendido

- a. El compartimiento de la pila de encendido se encuentra dentro de la pata trasera.
- b. Desenrosque la tapa en sentido contrario a las agujas del reloj para extraer la pila gastada y reemplazarla por una nueva, prestando atención a las indicaciones +/-.
- c. Vuelva a enroscar el tapón en el sentido de las agujas del reloj.
- d. Deseche la pila gastada de forma segura.

i Si va a almacenar el horno durante más de un mes, extraiga la pila.

Solución de problemas

Problema	Posible causa	Solución
El horno no se enciende.	<ol style="list-style-type: none"> Configuración incorrecta. Flujo de gas insuficiente. El encendedor no genera una chispa. Se puede ver la chispa o escuchar el clic, pero el gas no se enciende. 	<ol style="list-style-type: none"> Verifique que el horno esté configurado de acuerdo con el paso 1. Asegúrese de que no haya torceduras ni dobleces en la manguera de gas. Compruebe que la pila del encendedor esté presente, insertada correctamente y no esté gastada. Asegúrese de que el cable del encendedor esté insertado correctamente. Consulte las instrucciones de montaje de la pila (paso 1.2). Póngase en contacto con el servicio de atención al cliente de Ooni. Puede encender con una cerilla y un sujetacerillas (consulte la página X para obtener instrucciones) si es necesario.
Los quemadores del horno se encienden, pero luego se apagan solos.	<ol style="list-style-type: none"> El dispositivo de supervisión de la llama (FSD) no está activado. El termopar del FSD está sucio. El termopar del FSD no funciona correctamente. 	<ol style="list-style-type: none"> Siga estrictamente los pasos de encendido (paso 4). Un paso importante es asegurarse de que el dial de control se presione durante al menos 5 segundos después del encendido para activar el dispositivo de supervisión de la llama (FSD). Asegúrese de que el suministro de gas esté apagado, espere a que el horno se enfríe, limpie suavemente el termopar del FSD con un paño húmedo y déjelo que se seque completamente antes de volver a encenderlo. Es posible que deba quitar la visera para facilitar el acceso. Si los pasos 1 y 2 no solucionan el problema, póngase en contacto con el servicio de atención al cliente de Ooni.
El horno no se calienta lo suficiente.	<ol style="list-style-type: none"> Flujo de gas insuficiente. Configuración y posicionamiento del horno. Condiciones meteorológicas. El quemador de gas presenta un retroceso de llama (generalmente acompañado de un sonido particular). El regulador se ha bloqueado con aire. 	<ol style="list-style-type: none"> Asegúrese de que no haya torceduras ni dobleces en la manguera de gas. Consulte las instrucciones de configuración en la página X. Úselo en un área protegida del viento o asegúrese de que el horno esté colocado de manera que la boca esté apartada del viento. El tiempo de precalentamiento y la temperatura máxima del horno pueden verse afectados por el lugar donde se usa y las condiciones meteorológicas. Ajuste el tiempo de precalentamiento esperado teniendo en cuenta las diferentes condiciones ambientales. Si el horno ha estado expuesto a la humedad o al frío, puede tardar más en precalentarse. Guárdelo en una funda impermeable y guarde las piedras para pizza en el interior durante períodos prolongados sin usarlas. Siga los pasos para apagar el quemador de gas, espere 5 minutos y vuelva a encender el horno (paso 4.1). Desconecte la manguera de gas y el conjunto del regulador de la línea de suministro de gas y espere 5 minutos. Esto «reinicia» el regulador, que puede haberse bloqueado con aire, lo que impide el flujo de gas.
Llama con demasiado humo / hollín en el interior del horno y la visera.	<ol style="list-style-type: none"> Quema de restos de comida. Configuración incorrecta o bombona de gas o regulador incompatibles. Venturi de gas obstruido. 	<ol style="list-style-type: none"> Consulte la aplicación Ooni para conocer las pautas de cocina. Evite usar demasiada harina para introducir la pizza y retire los restos de comida que caigan sobre la piedra para pizza. Use un cepillo de horno para pizza Ooni para limpiar la piedra para pizza entre cocciones. Asegúrese de que el horno esté montado correctamente y de que esté utilizando la bombona de gas (paso 3) y el regulador correctos (según la placa de datos de servicio). Póngase en contacto con el servicio de atención al cliente de Ooni.
Problemas al cocinar		 <p>Escanee el código para descargarse la aplicación Ooni y obtener consejos, recetas y solución de problemas con las pizzas.</p> <p>También puede ponerse en contacto con nuestro servicio de atención al cliente de Ooni en support.ooni.com</p>

Si el problema persiste, póngase en contacto con el servicio de atención al cliente de Ooni en support.ooni.com.

Model: UU-P2B800 Ooni Koda 2 Max	I3+ (28-30/37)	I3B/P(30)	
Ooni Limited, Unit 5, Ooni Park, 189 West Main Street, Broxburn, EH52 5LH, UK	Butane	Propane	Butane, propane or their mixture
	28-30 mbar	37 mbar	28-30 mbar
Read the instructions before using this appliance. Use outdoors only. WARNING: Accessible parts may be very hot, keep young children away. Pizza oven PIN: 2575DP40644	11kw (801 g/h)	11kw (801 g/h)	
	Injector size/Marking: 1.2mm x 2 / 1.20		
	A (outdoors use only)		
	CY, GR, ES, TR	BG, CZ, DK, EE, GR, ES, FI, HR, HU, IL, IS, IT, LT, LV, NL, NO, PL, PT, RO, SA, SE, SI, SK, TR	

Amplíe su garantía de 1 año a 5 años* de forma gratuita al registrar su producto en ooni.com/warranty en los 60 días posteriores a la compra.*

*Se aplican términos y condiciones

Tämä opas sisältää tärkeitä tietoja, jotka ovat välttämättömiä uunin turvallisen käytön kannalta. Lue tämä opas kokonaisuudessaan ennen Ooni Koda 2 Max -uunin kokoamista, asennusta, käyttöä tai huoltoa. Näiden ohjeiden laiminlyönti voi johtaa omaisuusvahinkoihin, tulipaloon, vakaviin henkilövahinkoihin tai jopa kuolemaan.

Säilytä tämä opas myöhempää käyttöä varten.

VAROITUS

Lue ohjeet ennen laitteen käyttöä, ja säilytä ne myöhempää tarvetta varten.

Käytä vain ulkona.

Esillä olevat osat voivat olla erittäin kuumia. Pidä pienet lapset loitolla.

Tämä laite on pidettävä etäällä syttyvistä materiaaleista käytön aikana.

Älä siirrä laitetta käytön aikana.

Katkaise kaasunsyöttö kaasupullosta käytön jälkeen.

Ole varovainen kiinnittäessäsi tai vaihtaessasi kaasupulloa, ja tee se kaukana syttymislähteistä.

Älä muokkaa laitetta.

Tämä laite on erittäin kuuma käytön aikana.

Anna uunin jäähtyä kokonaan ennen sen peittämistä tai siirtämistä.

Käytä laitetta vain säätimistä – älä koskaan koske metallisiin ulkopintoihin, pizzakiveen tai lasiin, kun uuni on päällä.

Kun asennat uunia, varmista, että uunin suuaukko ei ole tuulta kohti. Aseta uuni vähintään metrin päähän mistään rakenteesta tai syttyvästä materiaalista. Älä käytä myrskyisellä säällä tai lumisateessa.

Käännä molemmat säätimet OFF-asentoon ennen kaasupullon kytkemistä.

Käytä vain tyyppikilvessä lueteltuja kaasuja.

Käytä vain alle 13 kg painavien kaasupullojen kanssa. Kaasupullon enimmäishalkaisija on 315 mm ja enimmäiskorkeus 580 mm.

Kaasuletkulla on oltava EN16436-sertifikaatti, ja sen enimmäispituus on 1,5 m.

Jos haistat kaasua, sulje kaasupullo tai säätöventtiili, käännä uunin säätimet OFF-asentoon ja tukahduta kaikki avoliekkit.

Älä käytä löysiä vaatteita, kun käytät uunia tai seisot uunin lähellä.

Älä koskaan säilytä varakaasupulloja uunin alla tai lähellä.

Älä koskaan tarkista vuotoja avotulella tai yritä sytyttää polttimia testauksen aikana.

Seiso laitteen sivulla sytytyksen aikana. Älä koskaan katso suoraan uunin suuaukkoon tai liekkiin.

Älä koskaan puhdista pizzakiven pintaa kemiallisilla puhdistusaineilla tai saippuilla.

Älä koskaan kaada vettä pizzakiven päälle, sillä muuten kivi voi haljeta.

Käytä kuumuudelta suojaavia käsineitä, kun käytät uunia ja käsittelet erityisen kuumia välineitä.

Älä koskaan tee puhdistus- tai huoltotoimia, kun uuni on kuuma tai käytössä.

Älä käytä hiovia puhdistusaineita tai hankaustyynyjä uunin minkään osan puhdistamiseen.

Käytä vain Oonin hyväksymiä tai virallisia lisävarusteita ja varaosia. Muuten uuni tai muut tuotteet voivat vahingoittua.

Jos uuni toimii epätavallisesti, sammuta uuni ja ota yhteyttä Oonin tukeen.

Vaihda kaasuletku, jos se on vaurioitunut tai kun paikalliset määräykset sitä edellyttävät.

Laitteen suljettuja järjestelmiä ei saa käsitellä.

Ole varovainen käyttäessäsi tai puhdistaussasi uunia, koska siinä voi olla teräviä reunoja.

Käytön aloittaminen

o Pakkauksen sisältö:

- a Ooni Koda 2 Max -uuni
- b Pizzakivi (x2)
- c Etujalka (x2)
- d Takajalka
- e AA-paristo sytytystä varten
- f Torx-avain
- g M5-ruuvit (x10)
- h Tulitikkupidike

- i Digitaalinen lämpötilakeskus
- j Kiinnike
- k Siipimutteri
- l Ympäristön lämpötilan mittauskaapeli (x2)
- m Paistoanturi (x2)
- n AA-paristot (x2)
- o Kiinnikkeen ruuvit

Koda 2 Max -uunin asennusohjeet

Digitaalisen lämpötilakeskuksen asennusohjeet

! **VAROITUS:** Uuni on erittäin painava, ja sen nostamisessa, kokoamisessa ja sijoittamisessa tarvitaan kaksi henkilöä.

ÄLÄ nosta uunia, kun pizzakivet ovat uunissa.

NOSTA AINA uunia pohjasta, **EI KOSKAAN** yläkuoren sisäpuolelta.

1 Asennus ja kokoonpano

- a. Valitse sopiva sijainti ja taso asennusta varten.
 - i. Ooni Large Modular -pöytä tai muu tukeva metalli- tai puutaso sopii erinomaisesti uunin alustaksi. Älä aseta uunia muovi- tai lasipöydille. Varmista aina, että pöytä kestää uunin painon.
 - ii. Sijoita uuni tasolle niin, että uunin suuaukko osoittaa pois päin tuulesta, ja uunin on oltava metrin päässä kaikista rakenteista tai syttyvistä materiaaleista.
 - iii. Suosittelemme sijoittamaan uunin niin, että pizzakivi on 1,1 metrin korkeudella maasta.
- b. Nosta laatikon kansi ja aseta se ylösalaisin asennuspaikan lähelle.
- c. Nosta laatikon keskimäinen ulompi osa pois, jotta uunin sivuja suojaava pakkaus voidaan avata.
- d. Nosta uuni varovasti toisen henkilön avulla ulos laatikosta, ja aseta se ylösalaisin laatikon kannen päälle uunin yläosan suojaamiseksi. Varmista, että kaikki pakkausmateriaali on poistettu uunista.
- e. Nosta laatikon sisällä olevaa pahvista tilanjakajaa, jotta saat esiin uunin jalat, digitaalisen lämpötilakeskuksen, pizzakivet ja muut asennettavat osat.

1.1 Jalkojen kiinnittäminen

- a. Kiinnitä takajalka uunin pohjaan neljällä M5-ruuvilla käyttäen mukana toimitettua ruuvimeisseliä.
- b. Kytke sytytyspariston kaapeli liitäntään, joka on uunin pohjassa jalan vieressä.
- c. Kiinnitä kaksi etujalkaa kolmella M5-ruuvilla jalkaa kohti.

1.2 Sytytyspariston asentaminen

- i** Sytytysparistokotelo sijaitsee takajalan sisällä.
 - a. Kierrä korkki auki vastapäivään ja asenna mukana toimitettu AA-paristo. Huomioi pariston napaisuus (+/-).
 - b. Kierrä korkki myötäpäivään takaisin paikalleen.

1.3 **Noudata digitaalisen lämpötilakeskuksen asennusohjeita.**

1.4 Pizzakivien asettaminen uuniin

- !** Pizzakivet ovat painavia – varo, etteivät sormesi jää puristuksiin.
 - a. Jos uuni on ylösalaisin: Pyydä toinen henkilö avuksi ja kääntäkää uuni varovasti pystyasentoon. Sijoitakaa uuni sitten haluttuun paikkaan.
 - b. Nosta ensimmäistä pizzakiveä varovasti molemmin käsin ja aseta se niin, että kiven pyörästetty kulma on uunin takakulmaa kohti. Liu'uta pizzakivi paikalleen varoen naarmuttamasta pizzareunaa.
 - c. Nosta toinen pizzakivi molemmin käsin ja toista menettely toisella puolella.
 - d. Jos haluat poistaa jommankumman pizzakiven, nosta sitä uunin pohjassa olevan reiän kautta, kunnes pizzakiven etuosa kallistuu riittävän korkealle, jotta siihen voi tarttua toisella kädellä ja vetää ulos uunista.
Älä koskaan yritä poistaa pizzakiviä, kun ne ovat kuumia.

2 Kaasuletkuputken asentaminen (tarvittaessa)

- i** Uunin mukana toimitetaan kaasuletku ja -säädin, jotka sopivat parhaiten markkina-alueellasi käytettävään kaasunsyöttöön. Ota yhteyttä Oonin tukeen, jos käytät muunlaista kaasupulloa.
 - a. Työnnä letku kiinni väkeseen.
 - b. Liu'uta letkunkiristin letkun päälle.
 - c. Kiristä letkunkiristin sopivalla ruuvimeisselillä.

3 Liittäminen kaasunsyöttöön

- ❗ Käännä molemmat säätimet OFF-asentoon ennen kaasupullon kytkemistä.

VAROITUS

Käytä vain alle 13 kg painavien kaasupullojen kanssa. Kaasupullon enimmäishalkaisija on 315 mm ja enimmäiskorkeus 580 mm.

Laitteen ja kaasupullon tulee olla vähintään 635 mm:n etäisyydellä toisistaan.

Käytä vain tyyppikilvessä lueteltuja kaasuja.

Ole varovainen kiinnittäessäsi tai vaihtaessasi kaasupulloa, ja tee se kaukana syttymislähteistä.

Matalapainesäädin

Tämä on paikalleen painettava kaasusäädin. Varmista, että musta kytkin on vaaka-asennossa, ja paina sitten mustan kytkimen alapuolella olevaa painiketta. Paina säädin kaasupullon venttiiliin niin, että se lukittuu paikalleen.

POL-kaasusäädin

Tämä on vastapäivään kierteitetty kaasuliitin. Varmista, että kaasupullon venttiili on suljettu kokonaan, ja kierrä sitten säädin tiukasti kiinni kaasupullon venttiiliin.

3.1 Kaasupullon kytkeminen

- Kaasupullon venttiiliin tulee olla OFF-asennossa (pois päältä).
- Varmista, että myös uunin säätimet ovat OFF-asennossa (pois päältä).
- Tarkista venttiililiitokset, liitäntä ja säädinkokoonpano. Poista mahdolliset roskat ja tarkista letku vaurioiden varalta.
- Kytke säädinkokoonpano venttiiliin painamalla säädintä venttiiliin ja kiertämällä käsimutteria vastapäivään.
- Avaa kaasupullon venttiili kokonaan kääntämällä säätimen mustaa kytkintä vastapäivään.

3.2 Vuototestaus

- Tarkista liitokset kaasuvuotojen varalta aina, kun teet kytkennän uudelleen tai vaihdat kaasupullon. Käytä apuna vuodonilmaisuuksiin tarkoitettua suihketta tai tiskiaine-vesiliuosta.
 - Käytä harjaa tai suihkepulloa liuoksen levittämiseksi liitäntöihin ja säätimeen. Tarkista kaasuletku ja lisää liuosta mahdollisiin halkeamiin.
 - Liuoksen kupliminen on osoitus vuodosta. Jos huomaat vuodon letkun liittimessä, kiristä liitin ja tarkista vuodot uudelleen. Jos vuoto jatkuu tai letkun halkeama vuotaa, **älä** käytä uunia. Ota yhteyttä Ooni-tukeen saadaksesi apua.
 - Jos huomaat vuodon, **älä** käytä uunia, vaan irrota kaasupullo. Jos uunista tai letkusta löytyy vuoto, ota yhteyttä Ooni-tukeen. Jos kaasupullon venttiilistä löytyy vuoto, ota yhteyttä kaasun toimittajaan.
- ❗ Korvaavilla säätimillä on oltava EN16129-sertifikaatti ja letkuilla EN16436-sertifikaatti, ja letkun enimmäispituus on 1,5 m.

3.3 Kaasupullon irrottaminen

- Käännä kaasupolttimen säätimet OFF-asentoon.
- Käännä säätimen musta kytkin myötäpäivään.
- Vapauta säädin kaasupullon yläosasta painamalla säätimen painiketta.
- Aseta suojakorkki kaasupullon paljaaseen venttiiliin, kun kaasupulloa ei käytetä.

VAROITUS

Jos haistat kaasua, sulje kaasupullo tai säätöventtiili, käännä uunin säätimet OFF-asentoon ja tukahduta kaikki avoliekit.

Älä koskaan tarkista vuotoja avotulella tai yritä sytyttää polttimia testauksen aikana.

4 Koda 2 Max -uunin sytytys

VAROITUS

Seiso laitteen sivulla sytytyksen aikana. Älä koskaan katso suoraan uunin suuaukkoon tai liekkiin.



Jos jompikumpi poltin ei syty odotetulla tavalla, katso lisätietoja vianmääritysoppaasta. Katkaise kaasunsyöttö ja odota 5 minuuttia, ennen kuin yrität

sytyttää uudelleen. Käytä vain säätimiä – älä koskaan koske uunin metallisiin ulkopintoihin, pizzakiveen tai lasiin, kun uuni on päällä.

Käytä kuumuudelta suojaavia käsineitä, kun käytät uunia ja käsittelet erityisen kuumia välineitä.

4.1 Sytytys

- ❗ Vasen säädin ohjaa vasenta poltinta ja oikea säädin oikeaa poltinta.
- Pidä jompaakumpaa säädintä painettuna samalla, kun pyörität säädintä hitaasti vastapäivään kaasun sytyttämiseksi. Kun kaasu on syttynyt, pidä säädintä painettuna vielä 5 sekuntia liekin ylläpitämiseksi.
 - Varmista, että kaasu on syttynyt.
 - Jos kyllä, siirry kohtaan 4.3.
 - Jos poltin ei syty, siirrä säädin OFF-asentoon, odota 5 minuuttia ja yritä sitten uudelleen.
 - Jos poltin ei syty toisen yrityksen jälkeen, siirrä säädin OFF-asentoon, odota 5 minuuttia ja noudata sitten vaihetta 4.2.
 - Jos liekit syttyvät oikein, niiden pitäisi näyttää kuvan mukaisilta.
 - Jos jompikumpi poltin tai molemmat polttimet sammuvat tahattomasti, katso vianmääritys.

4.2 Uunin sytytys tulitikkupidikkeellä

- ❗ Älä koskaan katso suoraan uuniin sytytyksen aikana. Seiso aina sivulla ja käytä käsineitä koko sytytyksen ajan.
- ❗ Jos polttimet eivät syty säätimillä useiden yritysten jälkeen, voit sytyttää polttimet tulitikkulla. Mukana toimitettu tulitikkupidike on kiinnitetty uunin pohjaan ohjauspaneelia vastakkaisella puolella.
- Jos olet jo yrittänyt sytyttää polttimet säätimillä, siirrä säätimet OFF-asentoon ja odota 5 minuuttia, kunnes kaasu haihtuu.
 - Aseta tulitikku tulitikkupidikkeeseen, sytytä tulitikku ja kosketa sillä yhtä polttimista uunin suuaukon kautta.
 - Paina polttimen säädintä, ja käännä se hitaasti suurimpaan asentoon. Polttimen tulisi syttyä välittömästi.
 - Jatka säätimen painamista 5 sekuntia sytytyksen jälkeen ja vapauta sitten.
 - Jos poltin ei syty muutamassa sekunnissa, siirrä säädin OFF-asentoon, odota 5 minuuttia ja yritä sitten uudelleen.

4.3 Kaasupolttimien käyttö

- Säädä liekkiä ja lämpötilaa tarpeen mukaan säädintä kääntämällä.
 - Kaasupoltin on pois päältä (OFF).
 - Kaasupoltin on asetettu **suurimmalle** liekille.
 - Kaasupoltin on asetettu **pienimmälle** liekille.
- Toista menettely (alkaen kohdasta 4.1) toisen polttimen sytyttämiseksi.
- Sammuta painamalla **säädintä** ja kiertämällä myötäpäivään, kunnes säädin pysähtyy ja vastaava liekki sammuu.

4.4 Uunin esikäsittely

- ❗ Sinun on esikäsiteltävä uuni ennen ensimmäistä käyttökertaa.
- ❗ Käytä aina käsineitä, kun laitat kätesi uuniin.
- Käytä uunia suurimmalla lämpötilalla 30 minuutin ajan.
 - Sammuta uuni ja anna sen jäähtyä kokonaan. Pyyhi sitten uunin sisäpuoli kuivilla paperipyyhkeillä.

4.5 Uunin sammuttaminen

- Sammuta uuni esikäsitteilyn tai kypsennyksen jälkeen painamalla säädintä ja kiertämällä myötöpäivään, kunnes säädin pysähtyy ja vastaava liekki sammuu. Toista molemmille polttimille.
- Sulje kaasunsyöttö ja irrota kaasusäädin.

4.6 Ruoan kypsentyminen uunissa

- Kytke molemmat polttimet päälle täydellä teholla uunin ja pizzakivien esilämmittämiseksi vähintään 30 minuutin ajan.
- Kypsennä suoraan pizzakivellä vain pizzaa ja muita kuivia, leipäpohjaisia ruokia. Kypsennä lihaa, vihanneksia tai muita ruokia käyttämällä Ooni-valurautatarvikkeita, Ooni-pannuja tai muita Oonin hyväksymiä ruoanlaittarvikkeita.
- Uuni on varustettu kahdella erillisellä polttimella, joiden avulla voit kypsentää vain uunin toisella puolella, molemmilla puolilla samassa lämpötilassa tai molemmilla puolilla eri lämpötiloissa eri pizzatyöliin mukaan.

! Älä koskaan kurkota uuniin puhdistamaan pizzakivelle pudonnutta ruokaa. Anna sen palaa ja poista se vasta sitten, kun uuni on jäähtynyt. Lisävinkkejä pizzakiven puhdistukseen on tämän oppaan huolto-osiossa.

i Suosittelemme käyttämään Oonin digitaalista infrapunälämpömittaria pizzakiven lämpötilan tarkkaan mittaamiseen. Pizzakivi lämpenee hitaammin kuin uunin sisällä oleva ilma. (Molempien lämpötilojen on oltava tasapainossa hyvän paistotuloksen saamiseksi.) Siksi on tärkeää käyttää Oonin digitaalista infrapunälämpömittaria ja digitaalista lämpötilakeskusta sen varmistamiseksi, että pizzakiven ja ilman lämpötilat ovat lähellä toisiaan.

i Lataamalla Ooni-sovelluksen saat kaiken tarvitsemäsi tiedon ruoanlaitosta Koda 2 Max -uunilla.

5 Suojuksen asentaminen (tarvittaessa)



Skannaa tämä QR-koodi saadaksesi video-ohjeita

! Käytä suojakäsineitä ja varmista, että uuni on viileä.

- Avaa sarana löysäämällä ruuvia torx-avaimella vastapäivään.
- Ohjaa suojuksen oikea puoli molemmilla käsillä uunin suuaukon oikeassa yläkulmassa olevaan U-muotoiseen kiinnikkeeseen.
- Aseta suojuksen vasen puoli vasemman saranan syvennykseen.
- Aseta vasen peukalo saranan alle ja työnnä suojusta varovasti ylöspäin, kunnes se on tasaisesti uunin runkoa vasten. Pidä saranaa tässä asennossa.
- Lukitse sarana kiristämällä ruuvia myötöpäivään torx-avaimella.
- Varmista, että sarana on lukkiutunut paikalleen.

5.1 Suojuksen irrottaminen

Jos haluat puhdistaa uunin huolellisesti tai kypsentää suurempia ruokia uunissa, poista suojuksen seuraavasti:

! Käytä suojakäsineitä ja varmista, että uuni on viileä.

- Aseta vasen peukalo ruuvien yläpuolelle tukemaan saranaa.
- Avaa saranan lukitus löysäämällä ruuvia torx-avaimella vastapäivään.
- Laske saranaa varovasti vasemmalla peukalolla, niin suojuksen pääsee laskeutumaan.
- Nosta suojuksen vasenta puolta varovasti molemmilla käsillä ja vapauta suojuksen oikeasta kiinnikkeestä vetämällä eteenpäin.
- Sulje suojuksen asettamalla vasen peukalo saranan alle ja työntämällä suojusta varovasti ylöspäin, kunnes se on tasaisesti uunin runkoa vasten. Pidä sarana paikallaan ja lukitse se kiertämällä ruuvia myötöpäivään.
- Varmista, että sarana on lukkiutunut paikalleen.

6 Hoito- ja huolto-ohjeet

VAROITUS

Älä koskaan tee puhdistus- tai huoltotoimia, kun uuni on kuuma tai käytössä.

Käytä aina käsineitä, kun puhdistat uunin.

Älä käytä hiovia puhdistusaineita tai hankaustyynyjä uunin minkään osan puhdistamiseen.

Älä käytä kemiallisia puhdistusaineita maalatuille pinnoille.

Ole varovainen puhdistatessasi uunin sisäpuolta, koska siinä voi olla teräviä reunoja.

Peitä uuni aina, kun säilytät sitä ulkona.

6.1 Sisäpuolen puhdistus

- Sammuta uuni aina käytön jälkeen ja anna sen jäähtyä kokonaan ennen kuin pyyhkit sisäpinnat ja poltinputket kuivilla paperipyyhkeillä.
- Jos lasisuojuksen on likainen, voit puhdistaa sen varovasti kostealla liinalla tai kuivalla paperipyyhkeellä. Jos suojuksessa on pinttyneitä tahroja, irrota se annettujen ohjeiden mukaisesti (vaihe 5.1).

6.2 Ulkopuolen puhdistus

- Koda 2 Max -uunin ulkopinta voidaan pyyhkiä lämpimällä saippuavedellä. Kuivaa pinta välittömästi. Vältä hiovia tai voimakkaita kemikaaleja sisältäviä puhdistusaineita.
- Kuivaa pinta heti ja peitä uuni Koda 2 Max -suojapeitteellä.

6.3 Pizzakivien puhdistaminen

! Älä koskaan puhdistaa pizzakiviä kemiallisilla puhdistusaineilla tai saippuilla. Älä koskaan altista pizzakiviä vedelle.

Pizzakiviä ei tarvitse pestä. On täysin normaalia, että niiden ulkonäkö muuttuu ajan myötä.

- Anna uunin toimia tyhjänä täydellä teholla 45 minuuttia. Pizzakivi puhdistuu itsestään korkeissa lämpötiloissa, ja kaikki ruokajäämät tai roskat muuttuvat tuhaksi.
- Anna uunin jäähtyä kokonaan ja harjaa tuhka pois Ooni-pizzauuniharjalla. Huomaa: Uunin pizzakivet ovat symmetrisiä ja kaksipuolisia, joten voit kääntää jäähtyneet kivet käyttökertojen välillä ja polttaa alapuolen pinttyneet jäämät seuraavan kerran, kun valmistat ruokaa.

6.4 Sytytyspariston vaihtaminen

- Sytytysparistokotelo sijaitsee takajalan sisällä.
 - Avaa korkki kiertämällä sitä vastapäivään, niin voit vaihtaa pariston uuteen. Huomioi napaisuus (+/-).
 - Kierrä korkki myötöpäivään takaisin paikalleen.
 - Hävitä vanha paristo turvallisesti.
- i** Poista paristo, jos varastoit uunin yli kuukauden ajaksi.

Pidennä 1 vuoden takuu 5 vuoteen* ilmaiseksi rekisteröimällä tuotteesi osoitteessa ooni.com/warranty 60 päivän kuluessa ostosta.*

*Ehtoja sovelletaan

Vianmääritys

Ongelma	Mahdollinen syy	Ratkaisu
Uuni ei syty	<ol style="list-style-type: none"> Virheellinen asennus. Riittämätön kaasunvirtaus. Kaasusäädin on kiinnitetty väärin. Ei kipinää sytytyksestä. Kipinä muodostuu tai naksahdus kuuluu, mutta kaasu ei syty. 	<ol style="list-style-type: none"> Varmista, että uuni on asennettu vaiheen 1 mukaisesti. Varmista, että kaasupullo on pystyasennossa ja sisältää kaasua. Tyhjä tai lähes tyhjä kaasupullo voi vaikuttaa suorituskykyyn. Tarkista, onko kaasuletkussa taitoksia. Varmista, että kaasusäädin on kiinnitetty oikein kaasupulloon. Tarkista, että sytytysparisto on oikein paikallaan ja siinä on virtaa (vaihe 1.2). Varmista, että sytytyskaapeli on asetettu oikein (vaihe 1.1). Ota yhteyttä Ooni-asiakastukeen. Voit tarvittaessa syyttää uunin myös tulitikulla käyttäen tulitikkupidikettä (vaihe 4.2).
Uunin polttimet syttyvät, mutta niiden liekki sammuu.	<ol style="list-style-type: none"> Liekinvalvontalaite (FSD) ei ole käytössä. FSD-lämpöpari on likainen. FSD-lämpöpari on viallinen. 	<ol style="list-style-type: none"> Noudata tarkasti sytytysohjeita (vaihe 4). Varmista, että pidät säädintä painettuna vähintään 5 sekunnin ajan sytytyksen jälkeen, jotta liekinvalvontalaite (FSD) kytkeytyy päälle. Katkaise kaasunsyöttö, anna uunin jäähtyä, puhdista FSD-lämpöpari varovasti kostealla liinalla ja anna sen kuivua kokonaan ennen kuin kokeilet sytytystä uudelleen. (Suojus on ehkä irrotettava, jotta osaan on helpompi päästä käsiksi.) Jos vaiheet 1 ja 2 eivät korjaa ongelmaa, ota yhteyttä Ooni-asiakastukeen.
Uuni ei kuumene tarpeeksi.	<ol style="list-style-type: none"> Riittämätön kaasunvirtaus. Kaasupullon/-säätimen paine. Uunin asennus ja sijoitus. Sääolosuhteet. Kaasupoltin on syttynyt väärin (tyypillisesti tästä tulee myös voimakas ääni). Suojus on poistettu. 	<ol style="list-style-type: none"> Varmista, että kaasupullo on pystyasennossa ja sisältää kaasua. Tyhjä tai lähes tyhjä kaasupullo voi vaikuttaa suorituskykyyn. Tarkista, onko kaasuletkussa taitoksia. Valitse sopiva kaasupullo (vaihe 3) ja säätimen paine (tyyppikilven mukaan). Katso asennusohjeet (vaihe 1). Käytä uunia tuulensuojaisessa paikassa tai ainakin sijoita uuni niin, että sen suuaukko ei ole tuulta päin. Esilämmitysaikaan ja enimmäislämpötilaan voivat vaikuttaa sijainti ja sääolosuhteet. Säädä odotettua esilämmitysaikaa vaihtelevien olosuhteiden mukaan. Jos uuni on altistunut kosteudelle tai kylmälle, esilämmitys voi kestää kauemmin. Säilytä uunia vedenpitävän suojuksen alla ja tuo pizzakivet sisätiloihin, jos ne ovat pitkään käyttämättä. Sammuta kaasupoltin noudattamalla ohjeita, odota 5 minuuttia ja sytytä uuni uudelleen (vaihe 4.1). Esilämmitysaika ja enimmäislämpötila voivat muuttua, jos uunia käytetään ilman suojusta. Asenna suojus uudelleen varmistaaksesi, että lämpötilat saavutetaan.
Liekki tuottaa liikaa nokea / uunin sisäpuolella ja suojuksessa on nokea.	<ol style="list-style-type: none"> Ruokajäämien palaminen. Väärä asennus tai yhteensopimaton kaasupullo tai säädin. Estynyt kaasunohjain. 	<ol style="list-style-type: none"> Katso ruoanlaitto-ohjeita Ooni-sovelluksesta. Vältä käyttämästä liikaa jauhoja pizzan alla ja poista kaikki pizzakivelle putoavat ruokajätteet. Käytä Ooni-pizzauuniharjaa pizzakiven puhdistamiseen käyttökertojen välillä. Varmista, että uuni on koottu oikein ja että käytät oikeaa kaasupulloa (vaihe 3) ja säädintä (tyyppikilven mukaisesti). Ota yhteyttä Ooni-asiakastukeen.
Kypsennykseen liittyvät ongelmat		 <p>Skannaa tämä QR-koodi ja lataa Ooni-sovellus pizzavinkkejä, reseptejä ja vianmääritystä varten.</p> <p>Voit myös ottaa yhteyttä Ooni-asiakaspalveluun osoitteessa support.ooni.com</p>

Jos ongelma jatkuu, ota yhteyttä Ooni-asiakastukeen osoitteessa support.ooni.com.

Model: UU-P2B800 Ooni Koda 2 Max	I3+ (28-30/37)	I3B/P(30)
Ooni Limited, Unit 5, Ooni Park, 189 West Main Street, Broxburn, EH52 5LH, UK	Butane	Propane
	28-30 mbar	37 mbar
Read the instructions before using this appliance. Use outdoors only. WARNING: Accessible parts may be very hot, keep young children away. Pizza oven PIN: 2575DP40644	11kw (801 g/h)	11kw (801 g/h)
	Injector size/Marking: 1.2mm x 2 / 1.20	
	A (outdoors use only)	
	CY, GR, ES, TR	BG, CZ, DK, EE, GR, ES, FI, HR, HU, IL, IS, IT, LT, LV, NL, NO, PL, PT, RO, SA, SE, SI, SK, TR

Ce manuel contient des informations importantes essentielles pour utiliser votre four en toute sécurité. Lisez ce manuel dans son intégralité avant d'assembler, d'installer, d'utiliser ou d'entretenir votre four Ooni Koda 2 Max. Le non-respect de ces instructions peut entraîner des dommages matériels, un incendie, des lésions corporelles graves voire le décès.

Veillez conserver ce manuel pour pouvoir le consulter ultérieurement.

⚠ AVERTISSEMENT

Lisez le manuel d'instructions avant d'utiliser l'appareil et conservez-le pour pouvoir le consulter ultérieurement. N'utilisez l'appareil qu'en extérieur.

Les parties accessibles peuvent être très chaudes. Gardez l'appareil hors de portée des enfants.

Lorsque vous utilisez l'appareil, tenez-le à l'écart de matériaux inflammables.

Ne déplacez pas l'appareil en cours d'utilisation.

Débranchez la bonbonne de gaz après utilisation.

Raccordez ou changez la bonbonne de gaz avec prudence et à l'écart de matériaux inflammables.

Ne modifiez pas l'appareil.

Lorsque vous utilisez l'appareil, celui-ci est extrêmement chaud.

Attendez que le four ait totalement refroidi avant de le couvrir ou de le déplacer.

Ne manipulez l'appareil qu'avec les molettes de commande. Ne touchez jamais les surfaces métalliques extérieures, la pierre à pizza ou les surfaces en verre lorsque le four est allumé.

Placez l'appareil de sorte que l'ouverture du four soit dans la direction opposée à celle du vent. Placez le four à au moins un mètre de toute structure ou matériau inflammable. N'utilisez pas l'appareil par temps orageux ou en cas de fortes chutes de neige.

Avant de raccorder la bonbonne de gaz, réglez les deux molettes de commande en position « OFF ».

Raccordez uniquement des bonbonnes de gaz compatibles (voir plaque signalétique).

Ne raccordez que des bonbonnes de gaz de moins de 13 kg, d'un diamètre de 315 mm ou moins et d'une hauteur de 580 mm ou moins.

Le tuyau de gaz doit être conforme à la norme EN16436 et mesurer au maximum 1,5 m.

Si, à tout moment, vous sentez une odeur de gaz, fermez la bonbonne de gaz ou le régulateur de pression, réglez les molettes de commande du four en position OFF et éteignez toutes les flammes nues.

Ne portez pas de vêtements amples lorsque vous vous tenez à proximité du four ou l'utilisez.

Ne rangez jamais de bouteilles de gaz de rechange sous le four ou à proximité de celui-ci.

Ne vérifiez jamais s'il y a une fuite en utilisant une flamme nue. N'essayez jamais d'allumer les brûleurs pendant le test.

Lorsque vous allumez les brûleurs, tenez-vous sur l'un des côtés de l'appareil. Ne regardez jamais directement la flamme ni l'ouverture du four.

N'utilisez jamais de nettoyants ou de produits d'entretien chimiques sur la surface de la pierre à pizza.

Ne versez jamais d'eau sur la pierre à pizza : elle pourrait se fissurer.

Lorsque vous utilisez le four et des accessoires de cuisson particulièrement chauds, veillez à porter des gants de protection thermique.

N'essayez jamais de nettoyer ou d'entretenir le four en cours d'utilisation ou lorsqu'il est chaud.

N'utilisez pas de nettoyants ou de tampons abrasifs pour nettoyer le four.

Utilisez uniquement des accessoires et des pièces de rechange officiels ou approuvés par Ooni.

Dans le cas contraire, vous risquez de vous blesser ou d'endommager le four ou votre propriété.

Si le four fonctionne anormalement, éteignez-le et contactez l'assistance Ooni.

Remplacez le tuyau de gaz s'il est endommagé ou conformément aux réglementations nationales en vigueur.

Ne manipulez pas les systèmes scellés de l'appareil.

Soyez prudent lorsque vous utilisez ou nettoyez le four : certaines arêtes peuvent couper.

Démarrage

o Contenus de l'emballage :

- a Four Ooni Koda 2 Max
- b Pierre à pizza (x2)
- c Pied avant (x2)
- d Pied arrière
- e Pile AA pour l'allumeur
- f Clé Torx
- g Vis M5 (x10)
- h Porte-allumettes

- i Régulateur thermique numérique
- j Support de montage
- k Écrou à oreilles
- l Câble de température ambiante (x2)
- m Sonde alimentaire (x2)
- n Pile AA (x2)
- o Vis de support

Instructions d'assemblage du Koda 2 Max

Instructions d'assemblage du régulateur thermique numérique

⚠ **ATTENTION** : le four est très lourd et nécessite deux personnes pour le soulever, l'assembler et le positionner.

Ne soulevez **PAS** le four si une pierre à pizza est en place.

Soulevez **TOUJOURS** le four par le dessous de la base, **JAMAIS** par l'intérieur de la coque supérieure.

1 Installation et montage

- a. Choisissez une position et une surface propices à l'installation.
 - i. La grande table modulaire Ooni ou toute autre surface solide en métal ou en bois convient parfaitement pour le support du four. Ne placez pas le four sur des surfaces en plastique ou en verre. Vérifiez toujours que la surface peut supporter le poids du four.
 - ii. La surface doit permettre à l'ouverture du four d'être orientée dans la direction opposée à celle du vent. Vous devez placer la surface à un mètre de toute structure ou matériau combustible.
 - iii. Nous vous recommandons de positionner le four de sorte que la pierre à pizza repose à 1,1 m du sol.
- b. Retirez le couvercle de la boîte en le soulevant, et placez-le à l'envers à proximité.
- c. Retirez la section centrale de la boîte supérieure en la soulevant et en la plaçant vers l'extérieur, de sorte que l'emballage protégeant les côtés du four s'ouvre.
- d. Avec l'aide d'une autre personne, soulevez délicatement le four et placez-le à l'envers sur le couvercle de la boîte, afin d'en protéger la partie supérieure. Veillez à retirer tous les emballages du four.
- e. Soulevez le séparateur en carton à l'intérieur de la boîte pour en sortir les pieds du four, le régulateur thermique numérique, les pierres à pizza et les autres pièces à assembler.

1.1 Fixation des pieds

- a. Fixez le pied arrière à la base en vissant 4 vis M5 à l'aide du tournevis fourni.
- b. Branchez le câble de la pile d'allumage dans la fiche située à la base du four, près du pied.
- c. Fixez les deux pieds avant à l'aide des vis M5 restantes (3 pour chaque pied).

1.2 Installation de la pile d'allumage

- ⓘ Le compartiment de la pile d'allumage se trouve dans le pied arrière.
 - a. Dévissez le capuchon (sens inverse des aiguilles d'une montre) et installez la pile AA fournie. Veillez à respecter les pôles positif et négatif.
 - b. Replacez le capuchon en le vissant (sens des aiguilles d'une montre).

1.3



Pour installer le régulateur thermique numérique, consultez les instructions d'installation.

1.4 Insertion des pierres à pizza

- ⓘ Les pierres à pizza sont lourdes : prenez garde à ne pas vous pincer les doigts.
 - a. Si votre four est à l'envers, remettez-le délicatement à l'endroit avec l'aide d'une autre personne, puis placez-le là où vous souhaitez l'utiliser.
 - b. À l'aide des deux mains, soulevez délicatement la première pierre à pizza et positionnez-la de façon que son coin arrondi soit face au coin arrière du four. Faites glisser la pierre à pizza jusqu'à ce qu'elle soit en position, en prenant garde à ne pas rayer les bords de l'appareil.
 - c. À l'aide des deux mains, soulevez la deuxième pierre à pizza et répétez l'opération de l'autre côté.
 - d. Pour retirer l'une ou l'autre pierre à pizza, soulevez-la en passant le doigt d'une main par l'orifice à la base de l'appareil de manière à pouvoir la saisir et la faire glisser avec l'autre main. N'essayez **jamais** de retirer les pierres à pizza lorsqu'elles sont chaudes.

2 Installation du tuyau de gaz (si nécessaire)

- ⓘ Le tuyau et le régulateur de gaz sont fournis avec votre four. Ceux-ci conviennent aux bonbonnes de gaz proposées dans votre région d'achat. Si vous utilisez une autre bonbonne de gaz, veuillez contacter l'assistance Ooni.
 - a. Raccordez le tuyau à l'embout sur l'appareil.
 - b. Faites glisser le collier de serrage sur le tuyau.
 - c. Serrez-le à l'aide d'un tournevis approprié.

3 Raccordement au gaz

ⓘ Avant de raccorder la bonbonne de gaz, réglez les deux molettes de commande en position « OFF ».

⚠ AVERTISSEMENT

Ne raccordez que des bonbonnes de gaz de moins de 13 kg, d'un diamètre de 315 mm ou moins et d'une hauteur de 580 mm ou moins.

Raccordez ou changez la bonbonne de gaz avec prudence et à l'écart de matériaux inflammables.

L'appareil et la bonbonne de gaz doivent être espacés d'au moins 635 mm.

Raccordez uniquement des bonbonnes de gaz compatibles (voir plaque signalétique).

Régulateur de gaz de terrasse

Il s'agit d'un raccord de gaz enfichable. Vérifiez que l'interrupteur noir est en position horizontale, puis appuyez sur le bouton situé sous cet interrupteur. Poussez le régulateur sur le robinet de la bonbonne de gaz jusqu'à ce qu'il s'enclenche.

Régulateur de gaz POL

Il s'agit d'un raccord de gaz fileté, à actionner dans le sens inverse des aiguilles d'une montre. Vérifiez que le robinet de la bouteille de gaz est complètement fermé, puis vissez le régulateur sur le raccord du robinet de la bouteille de gaz jusqu'à ce qu'il soit bien serré.

3.1 Raccordement de la bonbonne de gaz

- Le robinet de la bonbonne de gaz doit être en position « OFF ».
- Vérifiez que les molettes de commande du four sont également en position « OFF ».
- Vérifiez les raccords du robinet, l'orifice et l'ensemble du régulateur. Retirez tout débris et inspectez le tuyau pour vérifier qu'il n'est pas endommagé.
- Raccordez l'ensemble du régulateur au robinet en le poussant dessus, puis serrez l'écrou à oreilles en le faisant tourner dans le sens inverse des aiguilles d'une montre.
- Ouvrez complètement le robinet de la bonbonne en tournant l'interrupteur noir du régulateur dans le sens inverse des aiguilles d'une montre.

3.2 Vérification des fuites

- À l'aide d'un vaporisateur détecteur de fuites ou d'une solution d'eau et de liquide vaisselle, vérifiez s'il y a des fuites de gaz à chaque raccordement au changement de bonbonne de gaz.
- Utilisez un pinceau ou un vaporisateur pour appliquer la solution sur les raccords et le régulateur. Inspectez le tuyau de gaz et appliquez la solution sur toutes les fissures que vous trouvez.
- Des bulles se forment en cas de fuite. Si vous constatez une fuite dans le raccord du tuyau, resserrez-le et vérifiez si la fuite subsiste. Si la fuite persiste ou si vous constatez une fissure dans le tuyau, n'utilisez **pas** le four. Contactez l'assistance Ooni pour obtenir de l'aide.
- Si vous constatez une fuite, n'utilisez **pas** le four et retirez la bonbonne de gaz. Si vous constatez une fuite dans le four ou le tuyau, contactez l'assistance Ooni. Si vous constatez une fuite dans le robinet de la bonbonne de gaz, contactez votre fournisseur de gaz.

ⓘ Les régulateurs de remplacement doivent être conformes à la norme EN16129. Les tuyaux doivent respecter la norme EN16436 et leur longueur ne doit pas dépasser 1,5 m.

3.3 Retrait de la bonbonne de gaz

- Réglez les molettes de commande des brûleurs en position « OFF ».
- Tournez l'interrupteur noir du régulateur dans le sens des aiguilles d'une montre.
- Appuyez sur le bouton du régulateur pour le libérer de la partie supérieure de la bouteille de gaz.
- Placez le capuchon anti-poussière sur le robinet de la bouteille de gaz exposé lorsque celui-ci n'est pas utilisé.

⚠ AVERTISSEMENT

Si, à tout moment, vous sentez une odeur de gaz, fermez la bonbonne de gaz ou le régulateur de pression, réglez les molettes de commande du four en position OFF et éteignez toutes les flammes nues.

Ne vérifiez jamais s'il y a une fuite en utilisant une flamme nue. N'essayez jamais d'allumer les brûleurs pendant le test.

4 Allumage du Koda 2 Max

⚠ AVERTISSEMENT

Lorsque vous allumez les brûleurs, tenez-vous sur l'un des côtés de l'appareil. Ne regardez jamais directement la flamme ni l'ouverture du four.



Si l'un des brûleurs ne s'allume pas comme prévu, reportez-vous au guide de dépannage. Coupez le gaz et attendez 5 minutes avant d'essayer de le rallumer.

Utilisez uniquement les molettes de commande ; ne touchez jamais les surfaces métalliques extérieures, la pierre à pizza ou le verre lorsque le four est allumé.

Lorsque vous utilisez le four et des accessoires de cuisson particulièrement chauds, veillez à porter des gants de protection thermique.

4.1 Allumage

- La molette de gauche commande le brûleur gauche ; la molette de droite commande le brûleur droit.
 - Appuyez sur l'une des deux molettes de commande et maintenez-la enfoncée tout en tournant lentement dans le sens inverse des aiguilles d'une montre pour produire une étincelle et allumer le gaz. Une fois allumé, maintenez la pression pendant 5 secondes pour conserver la flamme.
 - Vérifiez que le gaz s'est enflammé.
 - Si c'est le cas, passez à l'étape 4.3.
 - Si le brûleur ne s'allume pas, passez en position OFF, attendez 5 minutes, puis réessayez.
 - Si le brûleur ne s'allume pas après la deuxième tentative, passez en position OFF, attendez 5 minutes, puis suivez l'étape 4.2.
 - Si les flammes sont correctement allumées, elles doivent ressembler à l'illustration.
 - Si l'un ou les deux brûleurs s'éteignent accidentellement, reportez-vous au guide de dépannage.

4.2 Allumage du four à l'aide du porte-allumettes

- Ne regardez jamais directement dans le four lors de l'allumage ; tenez-vous toujours sur le côté et portez des gants.
- Si les brûleurs ne s'allument pas après plusieurs tentatives à l'aide des molettes de commande, vous pouvez les allumer à l'aide d'une allumette. Le porte-allumettes fourni est fixé à la base du côté opposé au panneau de commande.
 - Si vous avez déjà essayé d'allumer les brûleurs à l'aide des molettes, passez en position OFF et attendez 5 minutes que le gaz se dissipe.
 - Insérez une allumette dans le porte-allumettes, enflammez l'allumette et approchez-la d'un des brûleurs par l'ouverture du four.
 - Appuyez sur la molette correspondant au brûleur et tournez-la lentement au maximum. Le brûleur devrait s'allumer immédiatement.
 - Continuez à enfoncer la molette pendant 5 secondes après l'allumage, puis relâchez-la.
 - Si le brûleur ne s'allume pas en quelques secondes, placez la molette en position OFF, attendez 5 minutes, puis réessayez.

4.3 Utilisation des brûleurs à gaz

- Tournez la molette pour régler la flamme et la température correspondantes selon vos besoins.
 - Le brûleur à gaz est en position OFF.
 - Le brûleur à gaz est réglé sur la flamme **maximale**.
 - Le brûleur à gaz est réglé sur la flamme **minimale**.
- Répétez le processus (à partir de l'étape 4.1) pour allumer le deuxième brûleur.
- Pour l'éteindre, appuyez sur **la molette de commande** et tournez-la dans le sens des aiguilles d'une montre jusqu'à ce qu'elle s'arrête et que la flamme correspondante s'éteigne.

4.4 Préparation de votre four

- Vous devez préparer votre four avant de l'utiliser pour la première fois.
- Portez toujours des gants lorsque vous mettez la main à l'intérieur du four.
 - Pour ce faire, faites fonctionner le four à température maximale pendant 30 minutes.
 - Éteignez le four et laissez-le refroidir complètement, puis essuyez l'intérieur avec du papier absorbant sec.

4.5 Arrêt du four

- Pour éteindre le four après l'avoir préparé ou utilisé, appuyez sur la molette et tournez-la dans le sens des aiguilles d'une montre jusqu'à ce qu'elle s'arrête et que la flamme correspondante s'éteigne. Répétez l'opération pour les deux brûleurs.
- Coupez l'alimentation en gaz et débranchez le régulateur.

4.6 Cuisson dans le four

- Allumez les deux brûleurs à pleine puissance pour préchauffer le four et les pierres à pizza pendant au moins 30 minutes.
- Ne faites cuire que des pizzas et autres plats secs à base de pain directement sur la pierre à pizza. Pour cuire de la viande, des légumes ou d'autres plats, utilisez la gamme de poêles Ooni et de poêles en fonte Ooni ou d'autres accessoires de cuisson approuvés par Ooni.
- Le four est équipé de deux brûleurs indépendants, ce qui vous permet de cuire d'un seul côté du four, des deux côtés à la même température, ou des deux côtés à des températures variables pour s'adapter à différents styles de pizza.

! **Ne mettez jamais** la main dans le four pour enlever les restes d'aliments tombés sur la pierre à pizza. Laissez-les brûler, puis retirez-les une fois le four refroidi. Reportez-vous à la procédure de nettoyage de la pierre à pizza dans la section entretien de ce manuel pour obtenir des conseils supplémentaires.

i Nous vous recommandons fortement d'utiliser un thermomètre infrarouge numérique Ooni pour mesurer avec précision la température de la pierre à pizza. Votre pierre à pizza chauffe plus lentement que l'air à l'intérieur du four. (Pour cuire une bonne pizza, un équilibre entre les deux est nécessaire.) C'est pourquoi il est important d'utiliser un thermomètre infrarouge numérique ainsi que le concentrateur de température numérique Ooni pour vous assurer que la température de votre pierre à pizza et la température de l'air sont proches l'une de l'autre.

i Pour tout savoir sur la cuisson avec Koda 2 Max, téléchargez l'application Ooni.

5 Installation de la visière (le cas échéant)



Scannez pour obtenir des instructions vidéo

- Portez des gants de protection et assurez-vous que votre four est froid.
 - Ouvrez la charnière à l'aide de la clé Torx pour desserrer la vis dans le sens inverse des aiguilles d'une montre.
 - À l'aide des deux mains, guidez le côté droit de la visière dans le support en forme de U en haut à droite de l'ouverture du four.
 - Placez le côté gauche de la visière dans le renforcement de la charnière gauche.
 - Placez le pouce gauche sous la charnière et poussez-le doucement vers le haut jusqu'à ce qu'il repose à plat contre le corps du four. Maintenez la charnière dans cette position.
 - Utilisez la clé Torx pour serrer la vis dans le sens des aiguilles d'une montre et verrouiller ainsi la charnière.
 - Assurez-vous que la charnière est bien verrouillée.

5.1 Retrait de la visière

Pour un nettoyage en profondeur ou la cuisson de plats plus volumineux dans le four, suivez ces étapes pour retirer la visière :

- Portez des gants de protection et assurez-vous que votre four est froid.
 - Placez le pouce gauche au-dessus de la vis pour soutenir la charnière.
 - Utilisez la clé Torx pour desserrer la vis dans le sens inverse des aiguilles d'une montre et déverrouiller ainsi la charnière.
 - Abaissez doucement la charnière à l'aide du pouce gauche, ce qui permet d'abaisser la visière.
 - Utilisez les deux mains pour soulever délicatement le côté gauche de la visière et tirez-la vers l'avant pour la libérer du support droit.
 - Pour fermer la charnière, placez le pouce gauche sous la charnière et poussez-le doucement vers le haut jusqu'à ce qu'il repose à plat contre le corps du four. Maintenez la charnière en position et tournez la vis dans le sens des aiguilles d'une montre pour la verrouiller.
 - Assurez-vous que la charnière est bien verrouillée.

6 Instructions d'entretien

⚠ AVERTISSEMENT

N'essayez jamais de nettoyer ou d'entretenir le four en cours d'utilisation ou lorsqu'il est chaud.

Portez toujours des gants lors du nettoyage du four.

N'utilisez pas de nettoyeurs ou de tampons abrasifs pour nettoyer le four.

N'utilisez pas de nettoyeurs chimiques sur les surfaces peintes.

Soyez prudent lorsque vous nettoyez l'intérieur du four : certaines arêtes peuvent couper.

Couvrez toujours le four lorsque vous le rangez à l'extérieur.

6.1 Nettoyage de l'intérieur

- Après chaque utilisation, éteignez le four et laissez-le refroidir complètement avant d'essuyer les surfaces intérieures et le long des tubes des brûleurs avec du papier absorbant sec.
- Si la visière en verre est souillée, vous pouvez la nettoyer soigneusement à l'aide d'un chiffon humide ou de papier absorbant sec. Pour les taches tenaces, retirez la visière en suivant les instructions fournies à l'étape 5.1.

6.2 Nettoyage de l'extérieur

- Vous pouvez essuyer la coque extérieure du Koda 2 Max avec de l'eau chaude savonneuse et la sécher immédiatement. Évitez les produits de nettoyage abrasifs ou ceux contenant des produits chimiques agressifs.
- Séchez immédiatement et couvrez avec la housse Koda 2 Max.

6.3 Nettoyage des pierres à pizza

! N'utilisez **jamais** de nettoyeurs ou de produits d'entretien chimiques sur les pierres à pizza. N'exposez **jamais** vos pierres à pizza à l'eau.

Il n'est pas nécessaire de laver les pierres à pizza ; il est tout à fait normal que leur apparence change avec le temps.

- Allumez le four à pleine puissance pendant 45 minutes sans rien y faire cuire. La pierre à pizza s'auto-nettoie à haute température et tout résidu ou reste alimentaire se transforme en cendres.
- Laissez le four refroidir complètement, puis brossez les cendres avec une brosse pour four à pizza Ooni. Remarque : les pierres à pizza de votre four sont symétriques et à double face, ce qui vous permet de les retourner entre deux utilisations (une fois refroidies) et de brûler tout résidu tenace se trouvant dessous lors de la prochaine utilisation.


6.4 Remplacement de la pile d'allumage


- Le compartiment de la pile d'allumage se trouve dans le pied arrière.
 - Dévissez le capuchon dans le sens inverse des aiguilles d'une montre pour retirer l'ancienne pile et remplacez-la par une pile neuve, en faisant attention aux polarités +/-.
 - Revissez le capuchon (dans le sens des aiguilles d'une montre).
 - Débarrassez-vous de l'ancienne pile en toute sécurité.
- i** Si vous stockez le four pendant plus d'un mois, retirez la pile.

Prolongez gratuitement votre garantie de 1 an à 5 ans* lorsque vous enregistrez votre produit sur [ooni.com/warranty](https://www.ooni.com/warranty) dans les 60 jours suivant l'achat.*

*Les conditions générales s'appliquent

Dépannage

Problème	Cause possible	Solution
Mon four ne s'allume pas	<ol style="list-style-type: none"> 1. Installation incorrecte. 2. Débit de gaz insuffisant. 3. Le régulateur n'est pas correctement fixé. 4. Pas d'étincelle à l'allumage. 5. On entend une étincelle ou un clic, mais le gaz ne s'enflamme pas. 	<ol style="list-style-type: none"> 1. Assurez-vous que le four est installé conformément à l'étape 1. 2. Assurez-vous que la bonbonne de gaz n'est pas vide et qu'elle est en position verticale ; une bonbonne vide ou presque vide peut affecter les performances. Vérifiez que le tuyau de gaz n'est pas plié. 3. Assurez-vous que le régulateur est correctement fixé à la bonbonne de gaz. 4. Vérifiez que la pile d'allumage est présente, correctement insérée et qu'elle est n'est pas déchargée (étape 1.2). Assurez-vous que le câble d'allumage est correctement inséré (étape 1.1). 5. Veuillez contacter le support client Ooni. Le cas échéant, vous pouvez également allumer le four avec une allumette et le porte-allumettes (étape 4.2).
Les brûleurs de mon four s'enflamment, mais ne restent pas allumés.	<ol style="list-style-type: none"> 1. Le dispositif de surveillance de la flamme (FSD) n'est pas activé. 2. Le thermocouple FSD est souillé. 3. Le thermocouple FSD est défectueux. 	<ol style="list-style-type: none"> 1. Suivez attentivement les étapes d'allumage (étape 4). Assurez-vous d'appuyer sur la molette et de la maintenir enfoncée pendant au moins 5 secondes après l'allumage afin d'activer le dispositif de surveillance de la flamme (FSD). 2. Coupez l'alimentation en gaz, attendez que le four refroidisse, nettoyez délicatement le thermocouple FSD avec un chiffon humide et laissez-le sécher complètement avant de rallumer le four. (Vous devrez peut-être retirer la visière pour un accès plus facile.) 3. Si le problème n'est pas résolu en suivant les étapes 1 et 2, contactez le support client Ooni.
Mon four ne monte pas assez en température.	<ol style="list-style-type: none"> 1. Débit de gaz insuffisant. 2. Bonbonne de gaz / régulateur de pression. 3. Installation et positionnement du four. 4. Conditions météorologiques. 5. Le brûleur à gaz est rallumé (généralement accompagné d'un bruit de grondement). 6. La visière a été retirée. 	<ol style="list-style-type: none"> 1. Assurez-vous que la bonbonne de gaz n'est pas vide et qu'elle est en position verticale ; une bonbonne vide ou presque vide est susceptible d'affecter les performances. Vérifiez que le tuyau de gaz n'est pas plié. 2. Sélectionnez une bonbonne de gaz appropriée (étape 3) et une pression de régulateur (selon la plaque signalétique). 3. Voir les instructions d'installation (étape 1). Utilisez le four dans un endroit à l'abri du vent ou positionnez-le de sorte que l'ouverture soit placée sous le vent. 4. Le temps de préchauffage et la température maximale peuvent être affectés par l'emplacement et les conditions météorologiques. Ajustez le temps de préchauffage prévu pour tenir compte des conditions ambiantes variables. Si votre four a été exposé à l'humidité ou au froid, le préchauffage peut prendre plus de temps. Rangez le four sous une housse étanche et mettez les pierres à pizza à l'intérieur lorsque le four n'est pas utilisé pendant de longues périodes. 5. Suivez les étapes pour éteindre le brûleur à gaz, attendez 5 minutes, puis rallumez le four (étape 4.1). 6. Le temps de préchauffage et la température maximale peuvent être affectés lors de la cuisson sans visière. Réinstallez-la pour atteindre les températures requises.
Flamme excessivement fuligineuse / suie à l'intérieur du four et de la visière.	<ol style="list-style-type: none"> 1. Combustion de restes alimentaires. 2. Configuration incorrecte ou bonbonne de gaz ou régulateur incompatibles. 3. Venturi d'entrée de gaz bloqué. 	<ol style="list-style-type: none"> 1. Reportez-vous à l'application Ooni pour les consignes de cuisson. Évitez d'utiliser trop de farine pour lancer votre pizza et retirez les restes d'aliments qui tombent sur la pierre à pizza. Utilisez une brosse pour four à pizza Ooni pour nettoyer la pierre à pizza entre les cuissons. 2. Assurez-vous que votre four est correctement monté et que vous utilisez la bonne bonbonne de gaz (étape 3) et le bon régulateur (selon la plaque signalétique). 3. Contactez le support client Ooni.
Problèmes de cuisson		 <p>Scannez pour télécharger l'application Ooni et obtenir des conseils sur les pizzas, des recettes et des solutions de dépannage.</p> <p>Vous pouvez également contacter notre support client Ooni à l'adresse support.ooni.com</p>

Model: UU-P2B800 Ooni Koda 2 Max	I3+ (28-30/37)	I3B/P(30)
Ooni Limited, Unit 5, Ooni Park, 189 West Main Street, Broxburn, EH52 5LH, UK	Butane	Propane
	28-30 mbar	37 mbar
Read the instructions before using this appliance. Use outdoors only. WARNING: Accessible parts may be very hot, keep young children away. Pizza oven PIN: 2575DP40644	11kw (801 g/h)	11kw (801 g/h)
	Injector size/Marking: 1.2mm x 2 / 1.20	
	A (outdoors use only)	
	CY, GR, ES, TR	BG, CZ, DK, EE, GR, ES, FI, HR, HU, IL, IS, IT, LT, LV, NL, NO, PL, PT, RO, SA, SE, SI, SK, TR
	 2575-24	

Il presente manuale contiene informazioni importanti che sono essenziali per il funzionamento sicuro del forno. Leggere questo manuale per intero prima di assemblare, installare, utilizzare o riparare il forno Ooni Koda 2 Max. L'inosservanza di queste istruzioni potrebbe causare danni alla proprietà, incendi, gravi lesioni personali o persino il decesso.

Conservare questo manuale per eventuali riferimenti futuri.

⚠ AVVISI

Leggere le istruzioni prima di utilizzare l'apparecchio e conservarle per riferimenti futuri.

Utilizzare solo all'aperto.

Le parti accessibili potrebbero essere molto calde. Tenere lontani i bambini piccoli.

Questo apparecchio deve essere tenuto lontano da materiali infiammabili durante l'uso.

Non spostare l'apparecchio durante l'uso.

Chiudere l'alimentazione del gas alla bombola dopo l'uso.

Prestare attenzione quando si collega o si sostituisce la bombola del gas e farlo lontano da qualsiasi fonte di accensione.

Non modificare l'apparecchio.

Questo apparecchio è estremamente caldo durante l'uso.

Lasciare raffreddare completamente il forno prima di coprirlo o spostarlo.

Operare solo utilizzando le manopole di controllo; non toccare mai le superfici metalliche esterne, la pietra per pizza o il vetro mentre il forno è acceso.

Durante l'installazione, assicurarsi che la bocca del forno sia rivolta lontano dal vento. Posizionare il forno ad almeno un metro di distanza da qualsiasi struttura o materiale combustibile. Non utilizzare in caso di tempesta o forti neviccate.

Ruotare entrambe le manopole di controllo in posizione OFF prima di collegare la bombola del gas.

Collegare solo i gas elencati sulla targhetta identificativa.

Utilizzare solo con bombole di peso inferiore a 13 kg, diametro massimo di 315 mm e altezza massima di 580 mm.

Il tubo del gas deve essere certificato per EN16436 con una lunghezza massima di 1,5 m. Se in qualsiasi momento si avverte odore di gas, chiudere la bombola del gas o la valvola di regolazione, ruotare le manopole di controllo del forno in posizione OFF e spegnere eventuali fiamme libere.

Non indossare indumenti larghi quando si utilizza o si sta in piedi vicino al forno.

Non conservare mai bombole di gas di riserva sotto o vicino al forno.

Non verificare mai la presenza di perdite con fiamme libere o tentare di accendere i bruciatori durante il test.

Stare di lato durante l'illuminazione. Non guardare mai direttamente nella bocca del forno o nella fiamma.

Non utilizzare mai detergenti chimici o saponi sulla superficie della pietra per pizza.

Non versare mai acqua sulla pietra per pizza, poiché ciò potrebbe causarne la rottura.

Indossare guanti protettivi dal calore quando si utilizza il forno e quando si maneggiano apparecchi di cottura particolarmente caldi.

Non tentare mai la pulizia o la manutenzione mentre il forno è caldo o in uso.

Non utilizzare detergenti o spugne abrasive per pulire qualsiasi parte del forno.

Utilizzare solo accessori e pezzi di ricambio approvati o ufficiali da Ooni. La mancata osservanza di questa precauzione può causare lesioni e danni al forno o danni materiali

Se il forno funziona in modo anomalo, spegnerlo e contattare l'assistenza Ooni.

Sostituire il tubo del gas se danneggiato o quando le condizioni nazionali lo richiedono.

I sistemi sigillati dell'apparecchio non devono essere manipolati.

Prestare attenzione durante l'utilizzo o la pulizia del forno perché potrebbero essere presenti spigoli vivi.

Guida introduttiva

o Contenuto della scatola:

- | | |
|---------------------------------------|--|
| a Forno Ooni Koda 2 Max | i Hub termico digitale |
| b Pietra per pizza (x2) | j Staffa di montaggio |
| c Gamba anteriore (x2) | k Dado a testa zigrinata |
| g Gamba posteriore | l Cavo di temperatura ambiente (x2) |
| e Batteria AA per l'accensione | m Sonda per alimenti (x2) |
| f Chiave Torx | n Batterie AA (x2) |
| g Viti M5 (x10) | o Viti della staffa |
| h Porta fiammiferi | |

Istruzioni di montaggio di Koda 2 Max

Istruzioni di montaggio dell'hub termico digitale

⚠ CAUTELA: Il forno è molto pesante e richiederà due persone per sollevarlo, assemblarlo e posizionarlo.

NON sollevare il forno con le pietre per pizza in posizione.

Tenere **SEMPRE** il forno dalla parte inferiore della base, **MAI** dall'interno del guscio superiore.

1 Installazione e montaggio

- Scegliere una posizione e una superficie adatte per l'installazione.
 - Come supporto del forno è ideale l'utilizzo di un tavolo modulare grande Ooni o un'altra robusta superficie in metallo o legno. Non posizionare il forno su tavoli di plastica o vetro. Assicurarsi sempre che il tavolo sia in grado di sopportare il peso del forno.
 - La superficie deve consentire alla bocca del forno di essere rivolta lontano dal vento e deve essere a un metro di distanza da qualsiasi struttura o materiale combustibile.
 - Si consiglia di posizionare il forno in modo che la pietra per pizza si trovi a un'altezza di 1,1 m da terra.
- Sollevare il coperchio dalla scatola e posizionare il coperchio capovolto nelle vicinanze.
- Sollevare la sezione centrale della scatola esterna verso l'alto e allontanarla lasciando che l'imballaggio che protegge i lati del forno si apra.
- Con l'aiuto di un'altra persona, sollevare con cautela il forno e posizionarlo capovolto sul coperchio della scatola per proteggere la parte superiore. Assicurarsi che tutto l'imballaggio sia stato rimosso dal forno.
- Sollevare il divisorio di cartone all'interno della scatola per scoprire le gambe del forno, l'hub termico digitale, le pietre per pizza e altre parti per il montaggio.

1.1 Attaccare le gambe

- Fissare la gamba posteriore alla base con 4 viti M5 utilizzando il cacciavite incluso.
- Collegare il cavo della batteria di accensione alla presa sulla base del forno accanto alla gamba.
- Fissare le due gambe anteriori utilizzando 3 viti M5 ciascuna.

1.2 Installazione della batteria di accensione

- i** Il vano batteria di accensione si trova all'interno della gamba posteriore.
- Svitare il tappo in senso antiorario e installare la batteria AA in dotazione, prestando attenzione alle direzioni +/-.
 - Riavvitare il tappo in senso orario.

1.3



Seguire le istruzioni di montaggio dell'hub termico digitale per l'installazione.

1.4 Inserimento delle pietre per pizza

- !** Le pietre per pizza sono pesanti; Fare attenzione a non pizzicarsi le dita.
- Se il forno è capovolto: Con l'aiuto di un'altra persona, ruotare con cautela il forno in posizione verticale e quindi posizionarlo nella posizione prevista.
 - Usando entrambe le mani, sollevare con cautela la prima pietra per pizza e posizionala in modo che l'angolo arrotondato sia rivolto verso l'angolo posteriore del forno. Far scorrere la pietra per pizza in posizione, facendo attenzione a non graffiare la sporgenza della pizza.
 - Usando entrambe le mani, prendere la seconda pietra per pizza e ripetere il processo sull'altro lato.
 - Per rimuovere una delle due pietre per pizza, utilizzare una mano per spingere verso l'alto attraverso il foro nella base del forno fino a quando la parte anteriore della pietra per pizza non si inclina abbastanza in alto da poter essere afferrata e lasciata scorrere fuori usando l'altra mano. **Non tentare mai** di rimuovere le pietre per pizza mentre sono calde.

2 Installazione del tubo flessibile del gas (se necessario)

- i** Il forno viene fornito con il tubo flessibile del gas e il regolatore più adatti all'alimentazione del gas che si trova nella regione di acquisto. Se si dispone di una bombola del gas alternativa, contattare l'assistenza Ooni.
- Spingere il tubo sull'ardiglione.
 - Far scorrere la clip a giubileo sul tubo flessibile.
 - Serrare la clip con un cacciavite appropriato.

3 Collegamento al gas

- ❗ Ruotare entrambe le manopole di controllo in posizione OFF prima di collegare la bombola del gas.

⚠ AVVISI

Utilizzare solo con bombole di peso inferiore a 13 kg, diametro massimo di 315 mm e altezza massima di 580 mm.

Prestare attenzione quando si collega o si sostituisce la bombola del gas e farlo lontano da qualsiasi fonte di accensione.

L'apparecchio e la bombola del gas devono trovarsi a una distanza minima di 635 mm.

Collegare solo i gas elencati sulla targhetta identificativa.

Regolatore del gas per terrazze

Si tratta di un raccordo a pressione per gas. Assicurarsi che l'interruttore nero sia in posizione orizzontale, quindi premere il pulsante situato sotto l'interruttore nero. Spingere il regolatore sulla valvola della bombola del gas finché non si blocca in posizione.

Regolatore di gas POL

Si tratta di un raccordo filettato per gas in senso antiorario. Assicurarsi che la valvola della bombola del gas sia completamente chiusa, quindi avvitare il regolatore sul raccordo della valvola della bombola del gas fino a serrarla.

3.1 Collegamento della bombola del gas

- La valvola della bombola del gas deve essere posizionata su OFF.
- Assicurarsi che anche le manopole di controllo del forno siano posizionate su OFF.
- Ispezionare i collegamenti della valvola, la porta e il gruppo regolatore. Rimuovere eventuali detriti e ispezionare il tubo flessibile per verificare che non sia danneggiato.
- Collegare il gruppo regolatore alla valvola, spingendo il regolatore sulla valvola ruotando il dado manuale in senso antiorario.
- Aprire completamente la valvola della bombola ruotando l'interruttore nero sul regolatore in senso antiorario.

3.2 Prove di tenuta

- Utilizzando uno spray per rilevatore di perdite o una soluzione di acqua e detersivo per piatti, verificare la presenza di perdite di gas ogni volta che si ricollega un raccordo o si sostituisce la bombola del gas.
- Utilizzare un pennello o un flacone spray per applicare la soluzione alle connessioni e al regolatore. Ispezionare il tubo flessibile del gas e applicare la soluzione su tutte le crepe che vengono individuate.
- Se è presente una perdita, la soluzione bolle. Se si osserva una perdita nel raccordo del tubo flessibile, serrare il raccordo e ricontrollare la presenza di perdite. Se la perdita persiste o perde una crepa nel tubo flessibile, **non** azionare il forno. Contattare l'assistenza Ooni per ricevere assistenza.
- Se si riscontra una perdita, **non** azionare il forno; rimuovere la bombola del gas. Se la perdita viene rilevata nel forno o nel tubo, contattare l'assistenza Ooni. Se la perdita viene rilevata nella valvola della bombola del gas, contattare il fornitore del gas.

- ❗ I regolatori di ricambio devono essere certificati per EN16129 e i tubi flessibili per EN16436, con una lunghezza massima di 1,5 m.

3.3 Scollegamento della bombola del gas

- Ruotare le manopole di controllo del bruciatore a gas in posizione OFF.
- Ruotare l'interruttore nero sul regolatore in senso orario.
- Premere il pulsante sul regolatore per sganciarlo dalla parte superiore della bombola del gas.
- Posizionare il cappuccio antipolvere sulla valvola della bombola del gas esposta quando non è in uso.

⚠ AVVISI

Se in qualsiasi momento si avverte odore di gas, chiudere la bombola del gas o la valvola di regolazione, ruotare le manopole di controllo del forno in posizione OFF e

spegnere eventuali fiamme libere.

Non verificare mai la presenza di perdite con fiamme libere o tentare di accendere i bruciatori durante il test.

4 Illuminazione Koda 2 Max

⚠ AVVISI

Stare di lato durante l'illuminazione. Non guardare mai direttamente nella bocca del forno o nella fiamma.



Se uno dei bruciatori non si accende come previsto, fare riferimento alla guida per la risoluzione dei problemi. Spegnerne il gas e attendere 5 minuti prima di tentare la riaccensione. Operare solo utilizzando le

manopole di controllo; Non toccare mai le superfici metalliche esterne, la pietra per pizza o il vetro mentre il forno è acceso.

Indossare guanti protettivi dal calore quando si utilizza il forno e quando si maneggiano apparecchi di cottura particolarmente caldi.

4.1 Accensione

- ❗ La manopola sinistra controlla il bruciatore sinistro; quella a destra controlla il bruciatore destro.

 - Tenere premuta una delle manopole di controllo ruotando lentamente in senso antiorario per innescare la scintilla e accendere il gas. Una volta acceso, continuare a tenere premuto per 5 secondi per mantenere la fiamma.
 - Verificare che il gas si sia acceso.
 - In caso affermativo, passare al punto 4.3.
 - Se il bruciatore non si accende, passare in posizione OFF, attendere 5 minuti, quindi riprovare.
 - Se il bruciatore non si accende dopo il secondo tentativo, passare in posizione OFF, attendere 5 minuti, quindi seguire il passaggio 4.2.
 - Se le fiamme vengono accese correttamente, dovrebbero assumere l'aspetto della figura seguente.
 - Se uno o entrambi i bruciatori si spengono accidentalmente, fare riferimento alla risoluzione dei problemi.

4.2 Accendere il forno con il portafiammiferi

- ❗ Non guardare mai direttamente nel forno durante l'accensione; mettersi sempre di lato e indossare i guanti.
- ❗ Se i bruciatori non si accendono dopo diversi tentativi utilizzando le manopole di controllo, è possibile accenderli con un fiammifero. Il porta-fiammiferi in dotazione è fissato alla base sul lato opposto del pannello di controllo.

 - Se si è già tentato di accendere i bruciatori utilizzando le manopole di controllo, passare alla posizione OFF e attendere 5 minuti affinché il gas si dissipi.
 - Inserire un fiammifero nel porta-fiammifero, accendere il fiammifero e toccarlo a uno dei bruciatori attraverso la bocca del forno.
 - Premere l'apposita manopola di controllo al bruciatore e ruotarla lentamente al massimo. Il bruciatore dovrebbe accendersi immediatamente.
 - Continuare a premere la manopola di controllo per 5 secondi dopo l'accensione, quindi rilasciare.
 - Se il bruciatore non si accende entro pochi secondi, spegnere la manopola di controllo, attendere 5 minuti, quindi riprovare.

4.3 Utilizzo dei bruciatori a gas

- Ruotare la manopola di controllo per regolare la fiamma e la temperatura corrispondenti secondo necessità.
 - Il bruciatore a gas è spento.
 - Il bruciatore a gas è impostato alla massima **fiamma**.
 - Il bruciatore a gas è impostato alla minima **fiamma**.
- Ripetere il processo (a partire dal punto 4.1) per accendere il secondo bruciatore.
- Per spegnere, premere **la manopola di controllo** e ruotare in senso orario finché non si ferma e la fiamma corrispondente si spegne.

4.4 Condire il forno

- ❗ È necessario condire il forno prima di cuocere per la prima volta.
- ❗ Indossare sempre i guanti quando si mette la mano all'interno del forno.

 - Per fare questo, fai funzionare il forno alla massima temperatura per 30 minuti.
 - Spegnere il forno e lasciarlo raffreddare completamente, quindi pulire l'interno con carta assorbente asciutta.

4.5 Spegnimento del forno

- Per lo spegnimento dopo il condimento o la cottura, premere la manopola di controllo e ruotare in senso orario finché non si ferma e la fiamma corrispondente si spegne. Ripetere l'operazione per entrambi i bruciatori.
- Chiudere l'alimentazione del gas e scollegare il regolatore.

4.6 Cottura nel forno

- Accendere entrambi i fornelli alla massima potenza per preriscaldare il forno e le pietre per pizza per almeno 30 minuti.
- Cuocere solo pizza e altri piatti secchi a base di pane direttamente sulla pietra per pizza. Per cucinare carne, verdure o altri piatti, utilizzare la gamma di padelle in ghisa e Ooni o altri accessori da cucina approvati da Ooni.
- Il forno è dotato di due bruciatori indipendenti, che consentono di cuocere su un solo lato del forno, su entrambi i lati alla stessa temperatura o su entrambi i lati a temperature diverse per adattarsi a diversi stili di pizza.

! **Non toccare mai** il forno per rimuovere i residui di cibo caduti sulla pietra per pizza. Lasciarlo bruciare, quindi rimuoverlo una volta che il forno si è raffreddato. Fare riferimento alla procedura di pulizia della pietra per pizza nella sezione Manutenzione di questo manuale per ulteriori suggerimenti.

i Si consiglia vivamente di utilizzare un termometro digitale a infrarossi Ooni per misurare con precisione la temperatura della pietra per pizza. La pietra per pizza si riscalderà più lentamente dell'aria all'interno del forno. (Per cucinare un'ottima pizza, è necessario un equilibrio di entrambi.) Ecco perché è importante utilizzare un termometro digitale a infrarossi Ooni e l'hub termico digitale per garantire che la pietra per pizza e le temperature dell'aria si trovino a un intervallo ravvicinato.

i Per tutto quello che c'è da sapere sulla cucina con Koda 2 Max, scaricare l'app Ooni.

5 Installazione della visiera (se richiesta)



Scansionare le istruzioni video

- Indossare guanti protettivi e assicurarsi che il forno sia freddo.
 - Aprire la cerniera utilizzando la chiave torx per allentare la vite in senso antiorario.
 - Usando entrambe le mani, guidare il lato destro della visiera nella staffa a forma di U in alto a destra della bocca del forno.
 - Posizionare il lato sinistro della visiera nell'incavo sulla cerniera sinistra.
 - Posizionare il pollice sinistro sotto la cerniera e spingerlo delicatamente verso l'alto finché non si appoggia al corpo del forno. Mantenere la cerniera in questa posizione.
 - Utilizzare la chiave torx per serrare la vite in senso orario, bloccando la cerniera.
 - Assicurarsi che la cerniera sia bloccata in posizione.

5.1 Rimozione della visiera

Per una pulizia profonda o la cottura di oggetti più grandi nel forno, attenersi alla seguente procedura per rimuovere la visiera:

- Indossare guanti protettivi e assicurarsi che il forno sia freddo.
 - Posizionare il pollice sinistro sopra la vite per sostenere la cerniera.
 - Utilizzare la chiave torx per allentare la vite in senso antiorario, sbloccando la cerniera.
 - Abbassare delicatamente la cerniera usando il pollice sinistro, che consentirà alla visiera di abbassarsi.
 - Utilizzare entrambe le mani per sollevare con cautela il lato sinistro della visiera e tirare in avanti per rilasciare la visiera dalla staffa destra.
 - Per chiudere la cerniera, posizionare il pollice sinistro sotto la cerniera e spingerlo delicatamente verso l'alto finché non si appoggia al corpo del forno. Mantenere la cerniera in posizione e ruotare la vite in senso orario per bloccarla.
 - Assicurarsi che la cerniera sia bloccata in posizione.

6 Istruzioni per la cura e la manutenzione

▲ AVVISO

Non tentare mai la pulizia o la manutenzione mentre il forno è caldo o in uso.

Indossare sempre i guanti durante la pulizia del forno.

Non utilizzare detergenti o spugne abrasive per pulire qualsiasi parte del forno.

Non utilizzare detergenti chimici su superfici verniciate.

Prestare attenzione durante la pulizia all'interno del forno in quanto potrebbero essere presenti spigoli vivi.

Coprire sempre il forno quando lo si conserva all'aperto.

6.1 Pulizia dell'interno

- Dopo ogni utilizzo, spegnere il forno e lasciarlo raffreddare completamente prima di pulire le superfici interne e lungo i tubi del bruciatore con carta assorbente asciutta.
- Se la visiera in vetro è sporca, è possibile pulirla accuratamente utilizzando un panno umido o un tovagliolo di carta asciutto. Per le macchie ostinate, rimuovere la visiera secondo le istruzioni incluse (passaggio 5.1).

6.2 Pulizia dell'esterno

- Il guscio esterno di Koda 2 Max può essere pulito con acqua tiepida e sapone e asciugato immediatamente. Evitare prodotti per la pulizia abrasivi o con prodotti chimici aggressivi.
- Asciugare immediatamente e coprire con la Koda 2 Max Cover.

6.3 Pulizia delle pietre per pizza

! **Non utilizzare mai** detergenti chimici o saponi sulla superficie della pietra per pizza. **Non esporre mai** le pietre per pizza all'acqua.

Non c'è bisogno di lavare le pietre per pizza; È perfettamente normale che il loro aspetto cambi nel tempo.

- Accendere il forno alla massima potenza per 45 minuti senza cuocerlo. La pietra per pizza si pulisce da sola ad alte temperature e qualsiasi residuo o detrito di cibo si trasformerà in cenere.
- Lasciare raffreddare completamente il forno, quindi spazzolare via la cenere con una spazzola per forno per pizza Ooni. Nota: Le pietre per pizza del forno sono simmetriche e a doppia faccia, quindi è possibile girarle tra un utilizzo e l'altro (una volta fredde) e bruciare eventuali residui ostinati da sotto la prossima volta che si cucina.

6.4 Riposizionamento della batteria di accensione

- Il vano batteria di accensione si trova all'interno della gamba posteriore.
- Svitare il tappo in senso antiorario per rimuovere la batteria usata e sostituirla con una nuova, prestando attenzione alle direzioni +/-.
- Avvitare il tappo in senso orario.
- Smaltire in modo sicuro la batteria usata.


i Se si conserva il forno per più di un mese, rimuovere la batteria.

Estendere gratuitamente la garanzia da 1 anno a 5 anni*, registrando il proprio prodotto su [ooni.com/warranty](https://www.ooni.com/warranty) entro 60 giorni dall'acquisto.*

*Termini e condizioni applicabili

Risoluzione dei problemi

Problema	Possibile causa	Soluzione
Il mio forno non si accende	<ol style="list-style-type: none"> 1. Configurazione errata. 2. Flusso di gas insufficiente. 3. Regolatore collegato in modo errato. 4. Nessuna scintilla dall'accensione. 5. È presente una scintilla o un clic udibile, ma il gas non si accende. 	<ol style="list-style-type: none"> 1. Assicurarsi che il forno sia impostato secondo il passaggio 1. 2. Assicurarsi che la bombola del gas contenga carburante e sia in posizione verticale; Una bombola vuota o quasi vuota potrebbe influire sulle prestazioni. Verificare la presenza di eventuali attorcigliamenti nel tubo flessibile del gas. 3. Assicurarsi che il regolatore sia collegato correttamente alla bombola del gas. 4. Verificare che la batteria di accensione sia presente, inserita correttamente e carica (punto 1.2). Assicurarsi che il cavo dello sparker sia inserito correttamente (passaggio 1.1). 5. Contattare l'assistenza clienti Ooni. Se necessario, è possibile anche accendere con un fiammifero e il portafiammiferi (passaggio 4.2).
I bruciatori del forno si accendono, ma non rimangono accesi.	<ol style="list-style-type: none"> 1. Il dispositivo di supervisione della fiamma (FSD) non è inserito. 2. La termocoppia FSD è sporca. 3. La termocoppia FSD presenta un difetto. 	<ol style="list-style-type: none"> 1. Seguire attentamente le fasi di illuminazione (passaggio 4). Assicurarsi di tenere premuta la manopola di controllo per almeno 5 secondi dopo l'accensione per attivare il dispositivo di supervisione della fiamma (FSD). 2. Spegnerne l'alimentazione del gas, attendere che il forno si raffreddi, pulire delicatamente la termocoppia FSD con un panno umido e lasciarla asciugare completamente prima di riaccenderla. (potrebbe essere necessario rimuovere la visiera per facilitare l'accesso.) 3. Se i passaggi 1 e 2 non risolvono il problema, contattare l'assistenza clienti Ooni.
Il forno non si scalda abbastanza.	<ol style="list-style-type: none"> 1. Flusso di gas insufficiente. 2. Bombola del gas/pressione del regolatore. 3. Impostazione e posizionamento del forno. 4. Condizioni atmosferiche. 5. Il bruciatore a gas è retroilluminato (in genere accompagnato da un suono ruggente). 6. La visiera è stata rimossa. 	<ol style="list-style-type: none"> 1. Assicurarsi che la bombola del gas contenga carburante e sia in posizione verticale; Una bombola vuota o quasi vuota può influire sulle prestazioni. Verificare la presenza di eventuali attorcigliamenti nel tubo flessibile del gas. 2. Selezionare una bombola del gas adatta (fase 3) e la pressione del regolatore (come da targhetta identificativa). 3. Vedere le istruzioni di configurazione (passaggio 1). Utilizzare il forno in una zona riparata dal vento, o almeno posizionarlo in modo che la bocca sia rivolta lontano da qualsiasi vento. 4. Il tempo di preriscaldamento e la temperatura massima possono essere influenzati dalla posizione e dalle condizioni atmosferiche. Regolare il tempo di preriscaldamento previsto per tenere conto delle diverse condizioni ambientali. Se il forno è stato esposto all'umidità o al freddo, potrebbe essere necessario più tempo per il preriscaldamento. Conservare sotto una copertura impermeabile e portare le pietre per pizza in casa per lunghi periodi senza utilizzo. 5. Seguire i passaggi per spegnere il fornello a gas, attendere 5 minuti, quindi riaccendere il forno (passaggio 4.1). 6. Il tempo di preriscaldamento e la temperatura massima possono essere influenzati durante la cottura senza la visiera. Reinstallare per garantire che le temperature possano essere raggiunte.
Fiamma eccessivamente fuliginosa/fuliggine all'interno del forno e della visiera.	<ol style="list-style-type: none"> 1. Bruciare i detriti alimentari. 2. Configurazione errata o bombola del gas o regolatore incompatibili. 3. Venturi a gas bloccato. 	<ol style="list-style-type: none"> 1. Fare riferimento all'app Ooni per le linee guida di cottura. Evitare di usare troppa farina per preparare la pizza e rimuovere eventuali avanzi di cibo che cadono sulla pietra per pizza. Usare una spazzola per forno per pizza Ooni per pulire la pietra per pizza tra una cottura e l'altra. 2. Assicurarsi che il forno sia assemblato correttamente e che si stia utilizzando la bombola del gas corretta (passaggio 3) e il regolatore (come da targhetta identificativa). 3. Contattare l'assistenza clienti Ooni.
Problemi di cottura		 <p>Scansionare per scaricare l'app Ooni per suggerimenti sulla pizza, ricette e risoluzione dei problemi.</p> <p>È possibile anche contattare il nostro servizio clienti Ooni all'indirizzo support.ooni.com</p>

Model: UU-P2B800 Ooni Koda 2 Max	I3+ (28-30/37)	I3B/P(30)
Ooni Limited, Unit 5, Ooni Park, 189 West Main Street, Broxburn, EH52 5LH, UK	Butane	Propane
	28-30 mbar	37 mbar
Read the instructions before using this appliance. Use outdoors only. WARNING: Accessible parts may be very hot, keep young children away.	11kw (801 g/h)	11kw (801 g/h)
	Injector size/Marking: 1.2mm x 2 / 1.20	
	A (outdoors use only)	
	CY, GR, ES, TR	BG, CZ, DK, EE, GR, ES, FI, HR, HU, IL, IS, IT, LT, LV, NL, NO, PL, PT, RO, SA, SE, SI, SK, TR
Pizza oven PIN: 2575DP40644	 2575-24	

Se il problema persiste, contattare l'assistenza clienti Ooni al numero support.ooni.com.

Denna handbok innehåller viktig information som är väsentlig för säker användning av din ugn. Läs hela handboken innan du monterar, installerar, använder eller servar din Ooni Koda 2 Max-ugn. Underlåtenhet att följa instruktionerna kan resultera i egendomsskada, brand, allvarliga kroppsskador eller till och med dödsfall.

Spara handboken för framtida referens.

⚠ VARNING

Läs handboken innan du använder ugnen och spara den för framtida referens.

Endast för utomhusbruk.

Utvändiga delar kan vara mycket varma. Se till att små barn inte kommer i närheten.

Ugnen måste hållas borta från brandfarliga material under användning.

Flytta inte ugnen medan den används.

Stäng av gastillförseln vid gasflaskan efter användning.

Var försiktig när du ansluter eller byter gasolflaska, och se till att du är på säkert avstånd från alla antändningskällor.

Utför inte några ändringar på ugnen.

Ugnen blir extremt varm under användning.

Låt ugnen svalna helt innan du täcker eller flyttar den.

Använd endast kontrollrattarna: vidrör aldrig de yttre metallytorna, pizzastenen eller glaset när ugnen är på.

När du ställer i ordning ugnen ska du se till att ugnöppningen står vänd bort från vinden. Placera ugnen minst en (1) meter från strukturer och brännbart material. Använd inte ugnen i blåsigt väder eller tungt snöfall.

Vrid båda kontrollrattarna till AV-läget innan du ansluter gasflaskan.

Anslut endast de gastyper som står angivna på typskylten.

Använd endast gasflaskor på under 13 kg, med en maxdiameter på 315 mm och en maxhöjd på 580 mm.

Gasslangen måste vara EN16436-certifierad och ha en maxlängd på 1,5 m.

Om du vid något tillfälle kan känna lukten av gas, ska du stänga gasflaskan eller regulatorventilen, vrida kontrollrattarna på ugnen till AV-läget och släcka alla öppna lågor.

Bär inte löst sittande kläder när du använder eller står nära ugnen.

Förvara aldrig reservgasflaskor under eller i närheten av ugnen.

Kontrollera aldrig om det finns läckor genom att använda en öppen låga och försök aldrig tända brännarna medan testningen pågår.

Stå åt sidan när du tänder. Titta aldrig direkt in i ugnöppningen eller lågan.

Använd aldrig kemiska rengöringsmedel på pizzastensytan.

Häll aldrig vatten på pizzastenen, eftersom det kan leda till att den spricker.

Använd värmeskyddshandskar när du använder ugnen och när du hanterar varma matlagingsredskap.

Försök aldrig rengöra eller underhålla ugnen när den är varm eller används.

Använd inte slipande rengöringsmedel eller skursvampar för att rengöra någon del av ugnen.

Använd endast Ooni-godkända eller officiella tillbehör och reservdelar. Underlåtenhet att göra det kan orsaka personskada eller skada på din ugn eller egendom.

Om ugnen inte fungerar onormalt, stänger du av den och kontakter Ooni support.

Byt ut gasslangen om den är skadad, eller om nationella förhållanden kräver det.

Inga av ugnens förseglade system får manipuleras.

Var försiktig när du använder eller rengör ugnen eftersom det kan finnas vassa kanter.

1 Installation och montering

- Välj en lämplig position och plats för installation.
 - Oonis stora modulbord eller en annan robust metall-/träyta är lämpliga. Placera inte ugnen på bord gjorda av plast eller glas. Kontrollera alltid till att bordet tål ugnens vikt.
 - Placeringen ska tillåta att ugnöppningen kan stå vänd bort från vinden, samt att ugnen står en (1) meter från strukturer eller brännbart material.
 - Vi rekommenderar att du placerar ugnen så att pizzastenen hamnar på en höjd av 1,1 meter från marken.
- Lyft bort locket från förpackningen och placera det upp och ner i närheten.
- Lyft den yttre förpackningen uppåt, så att förpackningen som skyddar ugnens sidor kan falla åt sidan.
- Med hjälp av en annan person lyfter du sedan försiktigt ut ugnen. Placera ugnen upp och ner på förpackningens lock, så att överdelen skyddas. Se till att all förpackning är borttagen från ugnen.
- Lyft bort kartongavdelaren inuti lådan. Då ser du ugnsbena, det digitala temperaturnavet, pizzastenarna och andra delar som krävs för montering.

1.1 Fästa benen

- Fäst det bakre benet vid basen med hjälp av 4 st. M5-skrivar och den medföljande skruvmejseln.
- Anslut tändningsbatteriets kabel till uttaget på ugnbasen, intill benet.
- Fäst de två främre benen med 3 st. M5-skrivar vardera.

1.2 Installera tändningsbatteriet

- ⓘ Tändningsbatterifacket är placerat inuti det bakre benet.
 - Skruva av locket moturs och sätt i det medföljande AA-batteriet. Notera +/-riktningarna.
 - Skruva tillbaka locket medurs.

1.3



Följ monteringsanvisningarna för installation av det digitala temperaturnavet.

1.4 Sätta in pizzastenarna

- ⓘ Pizzastenarna är tunga. Var försiktig så att du inte klämmer fingrarna.
 - Om din ugn är upp och ner: Ta hjälp av en annan person för att försiktigt vända ugnen rätt och sedan placera den på avsedd plats.
 - Använd båda händerna för att försiktigt lyfta den första pizzastenen och placera den så att det rundade hörnet är vänt mot ugnens bakre hörn. Skjut pizzastenen på plats. Se till så att du inte repar pizzastens kanter.
 - Använd båda händerna för att lyfta upp den andra pizzastenen. Gör på samma sätt på andra sidan.
 - Om du vill ta bort någon av pizzastenarna tar du ena handen och trycker upp genom hålet i botten av ugnen tills pizzastens framsida tappar tillräckligt mycket för att du ska kunna få ett grepp. Sedan använder du andra handen för att skjuta ut stenen. **Försök aldrig** ta bort pizzastenarna medan de är varma.

2 Installation av gasslangen (vid behov)

- ⓘ Din ugn levereras med den gasslang och regulator som är mest lämpad givet gastillförseln i din inköpsregion. Om du använder en alternativ gasflaska ombeds du kontakta Ooni support.
 - Tryck på slangens på hullingen.
 - Skjut på slangklämman över slangens.
 - Dra åt klämman med hjälp av lämplig skruvmejsel.

Kom igång

o Vad finns i kartongen:

- a Ooni Koda 2 Max-ugn
- b Pizzasten (2 st.)
- c Främre ben (2 st.)
- d Bakre ben
- e AA-batteri för tändning
- f Torxnyckel
- g M5-skrivar (10 st)
- h Tändstickshållare

- i Digitalt temperaturnav
- j Monteringsfäste
- k Tummutter
- l Kabel för omgivningstemperatur (2 st.)
- m Mattermometer (2 st.)
- n AA-batterier (2 st.)
- o Fästskrivar

Monteringsanvisning för Koda 2 Max

Monteringsanvisning för digitalt temperaturnav

ⓘ **FÖRSIKTIGHET:** Din ugn är mycket tung. Det krävs två personer för att lyfta, montera och placera den.

Lyft INTE ugnen med pizzastenar i.

HÅLL ALLTID ugnen från basens undersida, **ALDRIG** från insidan av den övre kåpan.

3 Ansluta till gas

- ! Vrid båda kontrollrattarna till AV-läget innan du ansluter gasflaskan.

⚠ VARNING

Använd endast gasflaskor på under 13 kg, med en maxdiameter på 315 mm och en maxhöjd på 580 mm.

Var försiktig när du ansluter eller byter gasolflaska, och se till att du är på säkert avstånd från alla antändningskällor.

Ugnen och gasflaskan bör stå minst 635 mm från varandra.

Anslut endast de gastyper som står angivna på typskylten.

Gasregulator för uteplats

Det här är en påskjutbar gaskoppling. Se till att den svarta omkopplaren står i horisontellt läge och tryck sedan på knappen under den svarta omkopplaren. Skjut på regulatorn på gasflaskans ventil tills den låser på plats.

POL-gasregulator

Det här är en motursgångad gaskoppling. Kontrollera att gasflaskans ventil är helt avstängd och skruva sedan fast regulatorn på gasflaskans ventilkoppling.

3.1 Ansluta gasflaskan

- Gasflaskans ventil ska vara i läge AV.
- Se till att ugnens kontrollrattar också är i läge AV.
- Inspektera ventilanslutningarna, porten och regulatornheten. Ta bort eventuellt skräp och inspektera slangen för skador.
- Anslut regulatornheten till ventilen genom att skjuta på regulatorn på ventilen samtidigt som du vrid handmuttern moturs.
- Öppna cylinderventilen helt genom att vrida den svarta omkopplaren på regulatorn moturs.

3.2 Testa för läckage

- Använd en läckagedetektorspray eller en lösning bestående av diskmedel och vatten. Testa för gasläckage varje gång du återansluter en koppling eller byter ut gasflaskan.
 - Använd en borste eller sprayflaska för att applicera lösningen på anslutningarna och regulatorn. Inspektera gasslangen och applicera lösningen på eventuella sprickor du hittar.
 - Vid läckage kommer lösningen bubbla. Om du upptäcker ett läckage i slangkopplingen drar du åt kopplingen och testar sedan för läckage igen. Om läckaget kvarstår eller om det finns en spricka i slangen ska du **inte** använda ugnen. Kontakta Ooni support för hjälp.
 - Om du hittar ett läckage ska du **inte** använda ugnen. Koppla loss gasflaskan. Om läckaget har påträffats i ugnen eller slangen ombeds du kontakta Ooni support. Om läckaget påträffas i gasflaskans ventil ombeds du kontakta din gasleverantör.
- ! Ersättningsregulatorer måste vara EN16129-certifierade. Slangar måste vara EN16436-certifierade, med en maxlängd på 1,5 m.

3.3 Koppla loss gasflaskan

- Vrid gasbrännarens kontrollrattar till AV-läget.
- Vrid den svarta omkopplaren på regulatorn medurs.
- Tryck på knappen på regulatorn för att lossa regulatorn från toppen av gasflaskan.
- Placera dammskyddet på den exponerade gasflaskans ventil när den inte används.

⚠ VARNING

Om du vid något tillfälle kan känna lukten av gas, ska du stänga gasflaskan eller regulatorventilen, vrida kontrollrattarna på ugnen till AV-läget och släcka alla öppna lågor.

Kontrollera aldrig om det finns läckor genom att använda en öppen låga och försök aldrig tända brännarna medan testningen pågår.

4 Tända Koda 2 Max

⚠ VARNING

Stå åt sidan när du tänder. Titta aldrig direkt in i ugnöppningen eller lågan.



Om någon av brännarna inte tänds som förväntat, se felsökningsguiden. Stäng av gasen och vänta 5 minuter innan du försöker tända igen. Använd endast

kontrollrattarna. Rör aldrig de yttre metallytorna, pizzastenen eller glaset när ugnen är på.

Använd värmeskyddshandskar när du använder ugnen och när du hanterar varma matlagningsredskap.

4.1 Tändning

- i Den vänstra ratten styr den vänstra brännaren. Den högra ratten styr den högra brännaren.
- Tryck och håll in en av kontrollrattarna, samtidigt som du långsamt vrid den moturs för att tända en gnista. Gasen antänds. När gasen har antänts håller du kvar ratten i 5 sekunder för att behålla lågan.
 - Kontrollera att gasen har antänts.
 - Om den har det, går du vidare till 4.3.
 - Om brännaren inte tänds växla till AV-läget, väntar 5 minuter och försök sedan igen.
 - Om brännaren inte tänds efter det andra försöket, växlar du till AV-läget, väntar 5 minuter och följer sedan stegen i 4.2.
 - Om lågorna är tända på rätt sätt bör de se ut som på bilden.
 - Om en eller båda brännarna släcks av misstag, se felsökning.

4.2 Tända ugnen med hjälp av tändstickshållaren

- ! Titta aldrig direkt in i ugnen när du tänder. Stå alltid åt sidan och använd handskar hela tiden.
 - i Om brännarna inte tänds efter att du har försökt flera gånger med kontrollrattarna, kan du tända brännarna med hjälp av en tändsticka. Den medföljande tändstickshållaren är fäst vid basen på motsatt sida av kontrollpanelen.
- Om du redan har försökt tända brännarna med hjälp av kontrollrattarna, växlar du till AV-läget och väntar sedan 5 minuter tills all eventuell gas har försvunnit.
 - För in en tändsticka i tändstickshållaren, tänd tändstickan och för den via ugnöppningen mot någon av brännarna.
 - Tryck in brännarens kontrollratt och vrid den långsamt till max. Brännaren ska tändas omedelbart.
 - Håll kontrollratten intryckt i 5 sekunder efter tändning och släpp sedan.
 - Om brännaren inte tänds inom några sekunder vrid du kontrollratten till AV-läget, väntar i 5 minuter och försöker sedan igen.

4.3 Använda gasbrännarna

- Vrid på kontrollratten för att justera motsvarande låga och temperatur efter behov.
 - Gasbrännaren är AV.
 - Gasbrännaren är inställd på **högsta möjliga** låga.
 - Gasbrännaren är inställd på **minsta möjliga** låga.
- Upprepa förfarandet (börja vid steg 4.1) för att tända den andra brännaren.
- För att stänga av trycker du **in kontrollratten** och vrid den medurs tills det tar stopp och motsvarande låga slocknar.

4.4 Bränna in ugnen

- i Innan du lagar mat i ugnen första gången måste den brännas in.
 - ! Använd alltid handskar när du stoppar in handen i ugnen.
- För att bränna in ugnen kör du den på högsta temperatur i 30 minuter.
 - Stäng av ugnen och låt den svalna helt. Torka sedan av insidan med torrt hushållspapper.

4.5 Stänga av ugnen

- För att stänga av ugnen efter att du har bränt in den eller lagat mat, trycker du in kontrollratten och vrider den medurs tills det tar stopp och motsvarande låga slocknar. Upprepa stegen för båda brännarna.
- Stäng av gastillförseln och koppla bort regulatören.

4.6 Laga mat i ugnen

- Slå på båda brännarna på full effekt för att förvärma ugnen och pizzastenarna i minst 30 minuter.
- Tillaga endast pizza och andra torra, brödbaserade rätter direkt på pizzastenen. För att tillaga kött, grönsaker eller andra rätter använder du Ooni gjutjärnspannor och övriga pannor, eller andra Ooni-godkända matlagningstillbehör.
- Ugnen är utrustad med två oberoende brännare. Det innebär att du kan laga mat på bara ena sidan av ugnen, på båda sidor vid samma temperatur eller på båda sidor vid olika temperaturer för att passa olika pizzastilar.

! **Stoppa aldrig** in handen i ugnen för att rensa bort matrester som har fallit på pizzastenen. Låt det ligga kvar och ta sedan bort det när ugnen har svalnat. För fler tips på hur du rengör pizzastenen, se handbokens underhållsavsnitt.

i Vi rekommenderar starkt att du använder Ooni digital infraröd termometer för att exakt kunna mäta av pizzastenens temperatur. Pizzastenen värms upp långsammare än vad luften inuti ugnen gör. (För att kunna tillaga riktigt god pizza behöver du en balans mellan båda.) Därför det är viktigt att du använder Ooni digital infraröd termometer och Ooni digitalt temperaturnav för att säkerställa att pizzastenens temperatur och lufttemperaturen ligger nära varandra.

i I Ooni-appen hittar du allt du behöver veta om matlagning med Koda 2 Max.

5 Installera visiret (vid behov)



Skanna koden för videoinstruktioner

- Använd skyddshandskar och se till att ugnen har svalnat.
- Använd torxnyckeln för att vrida skruven moturs tills den lossar och gångjärnet öppnas.
- Använd båda händerna och för in den högra sidan av visiret i det U-formade fästet längst upp till höger i ugnöppningen.
- Placera visirets vänstra sida i fördjupningen på det vänstra gångjärnet.
- Placera din vänstra tumme under gångjärnet och tryck försiktigt uppåt tills det ligger platt mot ugnskroppen. Håll gångjärnet i detta läge.
- Använd torxnyckeln för att dra åt skruven medurs.
- Se till att gångjärnet har låsts fast.

5.1 Ta bort visiret

Vid djuprengöring eller tillagning av större föremål kan du behöva ta bort visiret. Då följer du dessa steg:

- Använd skyddshandskar och se till att ugnen har svalnat.
- Placera vänster tumme ovanför skruven som stöd för gångjärnet.
- Använd torxnyckeln för att vrida skruven moturs tills den lossar och gångjärnet öppnas.
- Använd vänster tumme för att försiktigt sänka gångjärnet. Då kan även visiret sänkas.
- Använd båda händerna och lyft försiktigt visirets vänstra sida samtidigt som du drar det framåt. Visiret frigörs då från det högra fästet.
- För att stänga gångjärnet placerar du din vänstra tumme under gångjärnet och trycker försiktigt uppåt tills det ligger platt mot ugnskroppen. Håll gångjärnet på plats och vrid skruven medurs för att låsa.
- Se till att gångjärnet har låsts fast.

6 Skötsel- och underhållsinstruktioner

⚠ VARNING

Försök aldrig rengöra eller underhålla ugnen när den är varm eller används.

Använd alltid handskar när du rengör ugnen.

Använd inte slipande rengöringsmedel eller skursvampar för att rengöra någon del av ugnen.

Använd inte kemiska rengöringsmedel på målade ytor.

Var försiktig när du rengör ugnens insida eftersom det kan finnas vassa kanter.

Täck alltid över ugnen om den förvaras utomhus.

6.1 Rengöra insidan

- Stäng av ugnen efter varje användning. Låt den svalna helt innan du torkar av insidan och längs brännarrören med torra pappershanddukar.
- Om glasvisiret är smutsigt kan du rengöra det försiktigt med en fuktig trasa eller torr pappershandduk. För envisa fläckar tar du bort visiret enligt de medföljande instruktionerna (steg 5.1).

6.2 Rengöra utsidan

- För att rengöra de utvändiga ytorna på Koda 2 Max kan du använda varmt tvålatten. Torka sedan ytorna omedelbart. Undvik slipande rengöringsmedel eller rengöringsmedel innehållande starka kemikalier.
- Torka ytorna omedelbart och täck med Koda 2 Max överdrag.

6.3 Rengöra pizzastenarna

! Använd aldrig kemiska rengöringsmedel på pizzastenarna. **Utsätt aldrig** pizzastenarna för vatten.

Pizzastenarna behöver inte tvättas. Att deras utseende förändras med tiden är fullt normalt.

- Sätt på ugnen och låt den stå på full effekt i 45 minuter utan att laga mat i den. Pizzastenen rengör sig själv vid höga temperaturer. Eventuella matrester eller skräp bränns till aska.
- Låt ugnen svalna helt och borsta sedan bort askan med hjälp av en Ooni pizzaugnsborste. Obs! Pizzastenarna är symmetriska och dubbelsidiga. Det innebär att du kan vända på dem mellan användningarna (efter att de har svalnat) och bränna bort envisa rester från undersidan.

6.4 Byta ut tändningsbatteriet

- Tändningsbatterifacket är placerat inuti det bakre benet.
 - Skruva av locket moturs. Lyft ut det gamla batteriet och byt ut det mot ett nytt. Notera +/- riktningarna.
 - Skruva tillbaka locket medurs.
 - Kassera det gamla batteriet på ett säkert sätt.
- i** Om du låter ugnen stå oanvänd i mer än en månad, ska du ta ut batteriet.

Om du registrerar din produkt på ooni.com/warranty inom 60 dagar efter köpet* kan du förlänga din 1 års garanti till 5 år* gratis.

*Regler och villkor gäller

Felsökning

Problem	Möjlig orsak	Lösning
Min ugn tänds inte	<ol style="list-style-type: none"> 1. Felaktig installation. 2. Otillräckligt gasflöde. 3. Regulatorn är felaktigt ansluten. 4. Ingen gnista från tändningen. 5. Man kan se en gnista eller höra ett klick, men gasen antänds inte. 	<ol style="list-style-type: none"> 1. Se till att ugnen är inställd i enlighet med steg 1. 2. Se till att gasflaskan innehåller bränsle och står i upprätt läge. En tom eller nästan tom gasflaska kan påverka prestandan. Kontrollera om det finns några veck i gasslangen. 3. Se till att regulatorn är ordentligt fastsatt på gasflaskan. 4. Kontrollera att tändningsbatteriet är korrekt isatt och att det inte är tomt (steg 1.2). Se till att gnistkabeln är korrekt isatt (steg 1.1). 5. Kontakta Ooni kundsupport. Du kan också tända med hjälp av en tändsticka och tändstickshållaren (steg 4.2) om det behövs.
Mina ugnbrännare tänds, men slocknar sedan.	<ol style="list-style-type: none"> 1. Flamövervakningsenheten (FSD) är inte inkopplad. 2. Flamövervakningsenhetens termoelement är smutsigt. 3. Flamövervakningsenhetens termoelement är defekt. 	<ol style="list-style-type: none"> 1. Följ tändningsstegen (steg 4) noga. Se till att hålla kontrollratten nedtryckt i minst 5 sekunder efter tändning för att koppla in flamövervakningsenheten (FSD). 2. Stäng av gastillförseln. Vänta tills ugnen har svalnat och rengör sedan försiktigt flamövervakningsenhetens termoelementet med en fuktig trasa. Låt den torka helt innan du tänder igen. (Du kan behöva ta bort visiret för enklare åtkomst.) 3. Om steg 1 och 2 inte löser problemet kontaktar du Ooni kundsupport.
Min ugn blir inte tillräckligt varm.	<ol style="list-style-type: none"> 1. Otillräckligt gasflöde. 2. Gasflaska/regulatortryck. 3. Ugnsinställning och placering. 4. Väderförhållanden. 5. Gasbrännaren feltänds (ofta åtföljt av ett brusande ljud). 6. Visiret har tagits bort. 	<ol style="list-style-type: none"> 1. Se till att gasflaskan innehåller bränsle och står i upprätt läge. En tom eller nästan tom gasflaska kan påverka prestandan. Kontrollera om det finns några veck i gasslangen. 2. Välj en lämplig gasflaska (steg 3) och ett lämpligt regulatortryck (enligt typskylten). 3. Se installationsanvisningarna (steg 1). Placera ugnen på en plats som är skyddad från vind, eller placera den åtminstone så att ugnsöppningen är vänd bort från vinden. 4. Förvärmningstid och maxtemperatur kan påverkas av placering och väderförhållanden. Justera den förväntade förvärmningstiden med hänsyn till varierande omgivningsförhållanden. Om din ugn har utsatts för fukt eller kyla kan förvärmningen ta längre tid. Om ugnen inte användas under en längre tid ska den förvaras under ett vattentätt överdrag. Pizzastenarna ska förvaras inomhus. 5. Stäng av gasbrännaren, vänta 5 minuter och tänd sedan ugnen igen (steg 4.1). 6. Förvärmningstid och maxtemperatur kan påverkas vid matlagning utan visir. Installera ugnen på nytt för att säkerställa att rätt temperaturen kan uppnås.
Överdrivet sotig låga/sot på ugnens insida och visir.	<ol style="list-style-type: none"> 1. Brinnande matrester. 2. Felaktig installation alternativt inkompatibel gasflaska eller regulator. 3. Blockerat gasventurirör. 	<ol style="list-style-type: none"> 1. Se Ooni-appen för riktlinjer vid matlagning. Undvik att använda för mycket mjöl när du tillagar din pizza och ta bort eventuella matrester från pizzastenen. Använd en Ooni pizzaugnsborste för att rengöra pizzastenen mellan tillagningarna. 2. Se till att din ugn är korrekt monterad, samt att du använder rätt gasflaska (steg 3) och regulator (enligt typskylten). 3. Kontakta Ooni kundsupport.
Problem med matlagning		 <p>Skanna koden för att ladda ner Ooni-appen för pizzatips, recept och felsökning.</p> <p>Du kan också kontakta Ooni kundsupport på support.ooni.com</p>

Om problemet kvarstår ombeds du kontakta Ooni kundsupport på support.ooni.com.

Model: UU-P2B800 Ooni Koda 2 Max	I3+ (28-30/37)	I3B/P(30)	
Ooni Limited, Unit 5, Ooni Park, 189 West Main Street, Broxburn, EH52 5LH, UK	Butane	Propane	Butane, propane or their mixture
	28-30 mbar	37 mbar	28-30 mbar
Read the instructions before using this appliance. Use outdoors only. WARNING: Accessible parts may be very hot, keep young children away. Pizza oven PIN: 2575DP40644	11kw (801 g/h)	11kw (801 g/h)	
	Injector size/Marking: 1.2mm x 2 / 1.20		
	A (outdoors use only)		
	CY, GR, ES, TR	BG, CZ, DK, EE, GR, ES, FI, HR, HU, IL, IS, IT, LT, LV, NL, NO, PL, PT, RO, SA, SE, SI, SK, TR	

Denne håndboken inneholder viktig informasjon som er avgjørende for sikker drift av ovnen. Les denne håndboken i sin helhet før du monterer, installerer, bruker eller utfører service på Ooni Koda 2 Max-ovnen. Unnlatelse av å følge disse instruksjonene, kan føre til skade på eiendom, brann, alvorlig personskade eller til og med død.

Ta vare på denne håndboken for fremtidig referanse.

⚠ ADVARSEL

Les instruksjonene før du bruker apparatet, og oppbevar dem for fremtidig referanse.

Skal kun brukes utendørs.

Tilgjengelige deler kan være veldig varme. Hold små barn unna.

Dette apparatet må holdes borte fra brennbare materialer under bruk.

Ikke flytt apparatet under bruk.

Slå av gasstilførselen ved gassflasken etter bruk.

Vær forsiktig når du fester eller bytter gassflaske, og gjør det i god avstand fra enhver tennkilde.

Ikke modifier apparatet.

Dette apparatet er ekstremt varmt under bruk.

La ovnen avkjøles helt før du dekker til eller flytter den.

Betjen ovnen bare ved hjelp av kontrollhjulene. Berør aldri de ytre metalloverflatene, pizzasteinen eller glasset mens ovnen er på.

Når du klargjør ovnen, må du sørge for at munningen vender bort fra vinden. Plasser ovnen minst én meter fra enhver struktur eller brennbart materiale. Må ikke brukes i stormfullt vær eller tung snø.

Vri begge kontrollhjulene til AV-posisjon før du kobler til gassflasken.

Koble bare til gassene som er oppført på merkeskiltet.

Skal bare brukes med sylindere under 13 kg, med en maksimal diameter på 315 mm og en maksimal høyde på 580 mm.

Gasslangen må være sertifisert til EN16436 med en maksimal lengde på 1,5 m.

Hvis du på noe tidspunkt lukter gass, må du lukke gassflasken eller regulatorventilen, vri kontrollhjulene på ovnen til AV-posisjon og slukke eventuelle åpne flammer.

Ikke bruk luftige klær når du bruker eller står i nærheten av ovnen.

Oppbevar aldri ekstra gassflasker under eller i nærheten av ovnen.

Bruk aldri åpen flamme til å lete etter lekkasjer, og forsøk aldri å antenne brennerne mens du tester.

Stå ved siden av ovnen når du tenner. Se aldri direkte inn i ovnens munning eller på flammen.

Bruk aldri kjemiske rengjøringsmidler eller såper på pizzasteinoverflaten.

Hell aldri vann på pizzasteinen, ettersom dette kan føre til at den sprekker.

Bruk varmebeskyttelseshansker når du bruker ovnen og når du håndterer spesielt varme kokeapparater.

Forsøk aldri å rengjøre eller vedlikeholde mens ovnen er varm eller i bruk.

Ikke bruk slipende rengjøringsmidler eller skuresvamber til å rengjøre noen deler av ovnen.

Bruk bare Ooni-godkjent eller offisielt tilbehør og reservedeler. Unnlatelse av å gjøre det, kan føre til personskade eller skade på ovnen eller eiendommen.

Hvis ovnen fungerer unormalt, slår du den av og kontakter Oonis kundestøtte.

Bytt ut gasslangen hvis den er skadet, eller når nasjonale forhold krever det.

Forseglede systemer på apparatet må ikke manipuleres.

Vær forsiktig når du bruker eller rengjør ovnen, ettersom skarpe kanter kan forekomme.

Komme i gang

o Hva er i esken:

- a Ooni Koda 2 Max-ovn
- b Pizzastein (x2)
- c Fremre ben (x2)
- d Bakre ben
- e AA-batteri for tenning
- f Torx-nøkkel
- g M5-skruer (x10)
- h Fyrstikkholder

- i Digital temperaturhub
- j Monteringsbrakett
- k Vingemutter
- l Omgivelsestemperaturkabel (x2)
- m Steketermometer (x2)
- n AA-batterier (x2)
- o Brakettskruer

Monteringsanvisning for Koda 2 Max

Monteringsanvisninger for digital temperaturhub

⚠ **FORSIKTIG:** Ovnen er veldig tung, og det krever to personer til å løfte, montere og plassere den.

IKKE løft ovnen med pizzasteiner inne i ovnen.

ALLTID ta tak i ovnen fra undersiden av sokkelen, **ALDRI** fra innsiden av den øvre delen.

1 Oppsett og montering

a. Velg en passende posisjon og overflate for oppsett.

- i. Det store Ooni-modulbordet eller en annen solid metall- eller treoverflate er ideell for ovnstøtte. Ikke sett ovnen på plast- eller glassbord. Kontroller alltid at bordet tåler vekten av ovnen.
- ii. Overflaten skal tillate at ovnens munning vender bort fra vinden, og den må være en meter unna enhver struktur eller brennbart materiale.
- iii. Det anbefales å plassere ovnen slik at pizzasteinen ligger i en høyde på 1,1 m over bakken.

b. Løft lokket av esken og legg lokket opp ned i nærheten.

c. Løft den sentrale ytre boksdelen opp og bort, slik at emballasjen som beskytter sidene av ovnen faller og åpner seg.

d. Med hjelp fra en annen person løfter du ovnen forsiktig ut og legger den opp ned på lokket på esken for å beskytte toppen. Sørg for at all emballasje blir fjernet fra ovnen.

e. Løft pappdeleren inne i esken for å ta ut ovnsbena, den digital temperaturhuben, pizzasteinene og andre deler for montering.

1.1 Feste bena

- a. Fest det bakre benet til sokkelen med fire M5-skruer ved hjelp av den medfølgende skrutrekkeren.
- b. Koble tenningsbatterikabelen til kontakten på ovnssokkelen ved siden av benet.
- c. Fest de to forbena med tre M5-skruer hver.

1.2 Sette inn tenningsbatteriet

ⓘ Tenningsbatterierommet er plassert inne i det bakre benet.

- a. Skru av hetten mot klokken og installer det medfølgende AA-batteriet, og vær oppmerksom på retningene for +/-.
- b. Skru hetten på igjen med klokken.

1.3



Følg monteringsinstruksjonene for den digitale temperaturhuben.

1.4 Sette inn pizzasteinene

ⓘ Pizzasteinene er tunge. Vær forsiktig så du ikke klemmer fingrene.

- a. Hvis ovnen ligger opp ned: Med hjelp fra en annen person snur du ovnen forsiktig til oppreist stilling og setter den deretter på det tiltenkte stedet.
- b. Bruk begge hender og løft den første pizzasteinen forsiktig, og plasser den slik at det avrundede hjørnet vender mot bakhjørnet av ovnen. Skyv pizzasteinen på plass, og pass på at du ikke riper opp pizzaavsatsen.
- c. Bruk begge hender og gjenta prosessen på den andre siden med den andre pizzasteinen.
- d. For å fjerne en av pizzasteinene, bruker du den ene hånden til å skyve opp gjennom hullet i bunnen av ovnen til fronten av pizzasteinen tipper høyt nok til at du kan gripe den og la den gli ut med den andre hånden. **Aldri** forsøk å fjerne pizzasteinene mens de er varme.

2 Montering av gasslangerøret (om nødvendig)

ⓘ Ovnen leveres med gasslangen og regulatoren som passer best til gassforsyningen som finnes i kjøpsregionen din. Hvis du har en alternativ gassflaske, kan du kontakte Oonis kundestøtte.

- a. Skyv slangen inn på mothaken.
- b. Skyv jubilee-klemmen over slangen.
- c. Stram klemmen med en egnet skrutrekker.

3 Koble til gass

- ❗ Vri begge kontrollhjulene til AV-posisjon før du kobler til gassflasken.

⚠ ADVARSEL

Skal bare brukes med sylindere under 13 kg, med en maksimal diameter på 315 mm og en maksimal høyde på 580 mm.

Vær forsiktig når du fester eller bytter gassflaske, og gjør det i god avstand fra enhver tennkilde.

Apparatet og gassflasken må være minst 635 mm fra hverandre.

Koble bare til gasser som er oppført på merkeskiltet.

Gassregulator

Dette er en gassmonteringsanordning som skyves på. Sørg for at den svarte bryteren er i horisontal stilling, og trykk deretter på knappen under den svarte bryteren. Skyv regulatoren inn på gassflaskeventilen til den låses på plass.

POL-gassregulator

Dette er en gassmontering som er gjenget mot klokken. Sørg for at gassflaskeventilen er lukket helt AV, og skru deretter regulatoren inn på gassflaskeventilen til den er tett.

3.1 Koble til gassflasken

- Gassflaskeventilen skal være i AV-stilling.
- Sørg for at ovnsens kontrollhjul også er i AV-posisjon.
- Inspiser ventiltilkoblingene, porten og regulatorenheten. Fjern rusk og inspiser slangen for skade.
- Koble regulatorenheten til ventilen ved å skyve regulatoren inn på ventilen ved å dreie håndmutteren mot klokken.
- Åpne sylinderventilen helt ved å vri den svarte bryteren på regulatoren mot klokken.

3.2 Testing for lekkasjer

- Bruk en lekkasjedetektorspray eller en løsning av oppvaskmiddel og vann, og sjekk for gasslekkasjer hver gang du kobler til et beslag eller bytter ut gassflasken.
- Bruk en børste eller sprayflaske for å påføre løsningen på tilkoblingene og regulatoren. Inspiser gassslangen og påfør løsningen på eventuelle sprekker du finner.
- Hvis det er en lekkasje, vil løsningen boble. Hvis du ser en lekkasje i slangebeslaget, strammer du beslaget og ser etter lekkasjer på nytt. Hvis lekkasjen vedvarer eller det lekker fra en sprekk i slangen, må du **ikke** bruke ovnen. Kontakt Oonis kundestøtte for å få hjelp.
- Hvis du finner en lekkasje, må du **ikke** bruke ovnen. Ta ut gassflasken. Hvis det oppdages lekkasje i ovnen eller slangen, kontakter du Oonis kundestøtte. Hvis det oppdages lekkasje i gassflaskeventilen, må du kontakte gassleverandøren.

- ❗ Erstatningsregulatorer må sertifiseres for EN16129 og slanger for EN16436, med en maksimal lengde på 1,5 m.

3.3 Koble fra gassflasken

- Vri kontrollhjulene for gassbrenneren til AV-posisjon.
- Vri den svarte bryteren på regulatoren med klokken.
- Trykk på knappen på regulatoren for å løsne den fra toppen av gassflasken.
- Sett støvhetten på den eksponerte gassflaskeventilen når den ikke er i bruk.

⚠ ADVARSEL

Hvis du på noe tidspunkt lukter gass, må du lukke gassflasken eller regulatorventilen, vri kontrollhjulene på ovnen til AV-posisjon og slukke eventuelle åpne flammer.

Bruk aldri åpen flamme til å lete etter lekkasjer, og forsøk aldri å antenne brennerne mens du tester.

4 Tenne Koda 2 Max

⚠ ADVARSEL

Stå ved siden av ovnen når du tenner. Se aldri direkte inn i ovnsens munning eller på flammen.



Hvis en av brennerne ikke tennes som forventet, kan du se feilsøkingsveiledningen. Slå av gassen og vent 5 minutter før du prøver å tenne på nytt. Betjen

bare ved hjelp av kontrollhjulene. Berør aldri de ytre metalloverflatene, pizzasteinen eller glasset mens ovnen er på.

Bruk varmebeskyttelseshansker når du bruker ovnen og når du håndterer spesielt varme kokeapparater.

4.1 Tenning

- ❗ Det venstre hjulet styrer venstre brenner, og det høyre hjulet styrer høyre brenner.
- Trykk og hold en av kontrollhjulene inne mens du roterer sakte mot klokken for å få gnist og tenne gassen. Når den er tent, fortsetter du å holde i 5 sekunder for å opprettholde flammen.
 - Kontroller at gassen har antent.
 - Hvis ja, går du til punkt 4.3.
 - Hvis brenneren ikke tennes, bytter du til AV-stilling, venter 5 minutter og prøver på nytt.
 - Hvis brenneren ikke tennes etter andre forsøk, bytter du til AV-posisjon, venter 5 minutter og følger deretter trinn 4.2.
 - Hvis flammer antennes riktig, skal de se ut som på illustrasjonen.
 - Hvis en eller begge brennerne slukkes ved et uhell, kan du se feilsøkingen.

4.2 Tenne ovnen med fyrstikkholderen

- ❗ Se aldri direkte inn i ovnen når du tenner. Stå alltid ved siden av ovnen og bruk hansker hele tiden.
- ❗ Hvis brennerne ikke lyser etter flere forsøk med kontrollhjulene, kan du tenne dem med en fyrstikk. Den medfølgende fyrstikkholderen er festet til sokkelen på motsatt side av kontrollpanelet.
- Hvis du allerede har forsøkt å tenne brennerne ved hjelp av kontrollhjulene, bytter du til AV-posisjon og venter 5 minutter på at gassen forsvinner.
 - Sett en fyrstikk inn i fyrstikkholderen, tenn fyrstikken og hold den mot en av brennerne gjennom ovnsens munning.
 - Trykk inn kontrollhjulet som tilsvarer brenneren og vri det sakte til maksimum. Brenneren bør antennes umiddelbart.
 - Fortsett å skyve kontrollhjulet inn i 5 sekunder etter tenning, og slipp deretter.
 - Hvis brenneren ikke lyser i løpet av sekunder, slår du kontrollhjulet AV, venter 5 minutter og prøver deretter på nytt.

4.3 Bruke gassbrennerne

- Vri kontrollhjulet for å justere tilsvarende flamme og temperatur etter behov.
 - Gassbrenneren er AV.
 - Gassbrenneren er satt til **maksimal** flamme.
 - Gassbrenneren er satt til **minimal** flamme.
- Gjenta prosessen (start på 4.1) for å tenne den andre brenneren.
- Du slår av ved å trykke **inn kontrollhjulet** og rotere med klokken til det stopper og den tilsvarende flammen slukker.

4.4 Herde ovnen

- ❗ Du må herde ovnen før du steker i den for første gang.
- ❗ Bruk alltid hansker når du legger hånden inn i ovnen.
- For å gjøre dette kjører du ovnen ved toppetemperatur i 30 minutter.
 - Slå av ovnen og la den avkjøles helt, og tørk deretter av innsiden med tørre papirhåndklær.

4.5 Slå av ovnen

- Du slår av ovnen etter herding eller steking ved å trykke inn kontrollhjulet og rotere med klokken til det stopper og den tilsvarende flammen slukker. Gjenta for begge brennerne.
- Slå av gassforsyningen og koble fra regulatoren.

4.6 Matlaging i ovnen

- Slå på begge brennerne med full effekt for å forvarme ovnen og pizzasteinene i minst 30 minutter.
 - Stek kun pizza og andre tørre, brødbaserte retter direkte på pizzasteinen. Hvis du skal lage kjøtt, grønnsaker eller andre retter, bruker du utvalget av Ooni-støpejern og Ooni-panner eller annet Ooni-godkjent matlagingstilbehør.
 - Ovnen er utstyrt med to uavhengige brennere, slik at du kan lage mat på bare den ene siden av ovnen, på begge sider med samme temperatur, eller på begge sider med varierende temperatur for å tilpasses til forskjellige pizzastiler.
- !** Aldri strekk en arm inn i ovnen for å fjerne matrester som har falt ned på pizzasteinen. La restene brenne ut, og fjern dem deretter når ovnen er avkjølt. Se prosedyren for rengjøring av pizzastein i vedlikeholdsdelen av denne håndboken for ytterligere tips.
- i** Det anbefales på det sterkeste å bruke et digitalt, infrarødt Ooni-termometer for å måle pizzasteintemperaturen nøyaktig. Pizzasteinen varmes opp saktere enn luften inne i ovnen. (For å lage god pizza, trenger du en kombinasjon av begge.) Derfor er det viktig å bruke et digitalt, infrarødt Ooni-termometer samt digital temperaturhub for å sikre at pizzasteinen og lufttemperaturene har noenlunde samme temperatur.
- i** For alt du trenger å vite om matlaging med Koda 2 Max, laster du ned Ooni-appen.

5 Montere visiret (om nødvendig)



Skann etter videoinstruksjoner

- !** Bruk vernehansker og sørg for at ovnen er kjølig.
- Åpne hengslet ved å bruke Torx-nøkkelen til å løsne skruen mot klokken.
 - Bruk begge hender til å føre høyre side av visiret inn i den U-formede braketten øverst til høyre i ovnsmunningen.
 - Plasser venstre side av visiret i fordypningen på venstre hengsel.
 - Plasser venstre tommel under hengslet og skyv den forsiktig oppover til den ligger flatt mot ovnen. Hold hengslet i denne posisjonen.
 - Bruk Torx-nøkkelen til å stramme skruen med klokken og låse hengslet.
 - Kontroller at hengslet er låst på plass.

5.1 Fjerne visiret

For dyp rengjøring eller tilberedning av større gjenstander i ovnen, følger du disse trinnene for å fjerne visiret:

- !** Bruk vernehansker og sørg for at ovnen er kjølig.
- Plasser venstre tommel over skruen for å støtte hengslet.
 - Bruk Torx-nøkkelen til å løsne skruen mot klokken slik at hengslet låses opp.
 - Senk hengslet forsiktig med venstre tommel, slik at visiret kan senkes.
 - Bruk begge hender til å løfte venstre side av visiret forsiktig og trekk fremover for å løsne visiret fra høyre brakett.
 - For å lukke hengslet plasserer du venstre tommel under hengslet og skyver den forsiktig oppover til den ligger flatt mot ovnen. Hold hengslet på plass og dreier skruen med klokken for å låse.
 - Kontroller at hengslet er låst på plass.

6 Instruksjoner for pleie og vedlikehold

⚠ ADVARSEL

Forsøk aldri å rengjøre eller vedlikeholde mens ovnen er varm eller i bruk.

Bruk alltid hansker når du rengjør ovnen.

Ikke bruk slipende rengjøringsmidler eller skuresvamp til å rengjøre noen deler av ovnen.

Ikke bruk kjemiske rengjøringsmidler på malte overflater.

Vær forsiktig når du rengjør inni ovnen, ettersom skarpe kanter kan forekomme.

Dekk alltid til ovnen når den oppbevares utendørs.

6.1 Rengjøring av interiøret

- Etter hver bruk slår du av ovnen og lar den avkjøles helt før du tørker av de indre overflatene og langs brennerrørene med tørre papirhåndklær.
- Hvis glassvisiret er skittent, kan du rengjøre det forsiktig med en fuktig klut eller tørt papirhåndkle. For vanskelige flekker fjerner du visiret i henhold til de medfølgende instruksjonene (trinn 5.1).

6.2 Rengjøring av eksteriøret

- De ytre delene av Koda 2 Max kan tørkes med varmt såpevann og tørkes umiddelbart. Unngå slipende rengjøringsprodukter eller produkter med sterke kjemikalier.
- Tørk umiddelbart og dekk til med Koda 2 Max-dekslet.

6.3 Rengjøre pizzasteinene

! Aldri bruk kjemiske rengjøringsmidler eller såper på pizzasteinene. Aldri utsett pizzasteinene for vann.

Det er ikke nødvendig å vaske pizzasteinene, ettersom det er helt normalt at utseendet deres endres over tid.

- Slå på ovnen med full effekt i 45 minutter uten å steke i den. Pizzasteinen selvrensnes ved høye temperaturer, og eventuelle matrester eller rusk vil bli til aske.
- La ovnen avkjøles helt, og børst deretter asken bort med en Ooni-pizzaovnsbørste. Merk: Ovnens pizzasteiner er symmetriske og dobbeltsidige, slik at du kan snu dem mellom bruk (når de er kjølige) og brenne av gjenstridige rester fra undersiden neste gang du lager mat.


6.4 Erstatte tenningsbatteriet

- Tenningsbatterirommet er plassert inne i det bakre benet.
 - Skru av hetten mot klokken for å fjerne det gamle batteriet og erstatte det med et nytt, og ta hensyn til retningene for +/-.
 - Skru hetten på igjen med klokken.
 - Kast det gamle batteriet på en sikker måte.
- i** Hvis du oppbevarer ovnen i mer enn én måned, må du ta ut batteriet.

Utvid 1-årsgarantien til 5 år*. Garantien er gratis når du registrerer produktet på [ooni.com/warranty](https://www.ooni.com/warranty) innen 60 dager etter kjøpet.*

*Vilkår og betingelser gjelder

Feilsøking

Problem	Mulig årsak	Løsning
Ovnen min antennes ikke	<ol style="list-style-type: none"> 1. Feil oppsett. 2. Utilstrekkelig gasstrøm. 3. Regulator festet feil. 4. Ingen gnist fra tenning. 5. Det er en gnist eller hørbart klikk, men gassen tennes ikke. 	<ol style="list-style-type: none"> 1. Kontroller at ovnen er satt opp i henhold til trinn 1. 2. Kontroller at gassflasken inneholder drivstoff og er i oppreist stilling. En tom eller nesten tom sylinder kan påvirke ytelsen. Se etter sprekker i gasslangen. 3. Kontroller at regulatoren er forskriftsmessig festet til gassflasken. 4. Kontroller at tenningsbatteriet er til stede, satt inn riktig og har en ladning (trinn 1.2). Kontroller at tennkabelen er riktig satt inn (trinn 1.1). 5. Ta kontakt med Oonis kundestøtte. Du kan også tenne med en fyrstikk og fyrstikkholderen (trinn 4.2) om nødvendig.
Ovnsbrennerne mine antennes, men forblir ikke tent.	<ol style="list-style-type: none"> 1. Flammeovervåkingsenheten (FSD) er ikke koblet til. 2. FSD-termoelementet er skittent. 3. FSD-termoelementet fungerer ikke. 	<ol style="list-style-type: none"> 1. Følg tennetrinnene nøye (trinn 4). Sørg for å skyve og holde kontrollhjulet i minst 5 sekunder etter tenning for å koble inn flammeovervåkingsenheten (FSD). 2. Slå av gasstilførselen, vent til ovnen er avkjølt, rengjør FSD-termoelementet forsiktig med en fuktig klut, og la det tørke helt før du tenner på nytt. (Du må kanskje fjerne visiret for enklere tilgang.) 3. Hvis trinn 1 og 2 ikke løser problemet, kan du kontakte Oonis kundestøtte.
Ovnen blir ikke varm nok.	<ol style="list-style-type: none"> 1. Utilstrekkelig gasstrøm. 2. Gassflaske-/regulatortrykk. 3. Ovnsoppsett og posisjonering. 4. Værforhold. 5. Gassbrenneren baktennes (vanligvis etterfulgt av en høy lyd). 6. Visiret er fjernet. 	<ol style="list-style-type: none"> 1. Kontroller at gassflasken inneholder drivstoff og er i oppreist stilling. En tom eller nesten tom sylinder kan påvirke ytelsen. Se etter sprekker i gasslangen. 2. Velg en passende gassflaske (trinn 3) og regulatortrykk (i henhold til merkeskiltet). 3. Se installasjonsinstruksjoner (trinn 1). Bruk ovnen i et område som er skjermet for vind, eller plasser den i det minste slik at munningen vender bort fra vind. 4. Forvarmingstid og maksimumstemperatur kan påvirkes av sted og værforhold. Juster forventet forvarmingstid for å ta hensyn til varierende omgivelsesforhold. Hvis ovnen har blitt eksponert for fuktighet eller kulde, kan det ta lengre tid å forvarme. Oppbevar ovnen under et vanntett deksel og ta pizzasteinene innendørs i lengre perioder uten bruk. 5. Følg trinnene for å slå av gassbrenneren, vent 5 minutter, og start deretter ovnen på nytt (trinn 4.1). 6. Forvarmingstid og maksimal temperatur kan påvirkes når du lager mat uten visir. Monter på nytt for å sikre at temperaturene kan nås.
Overdrevent sotete flamme eller sot på ovnsinteriør og visir.	<ol style="list-style-type: none"> 1. Brennende matrester. 2. Feil oppsett eller inkompatibel gassflaske eller regulator. 3. Blokkert gassventuri. 	<ol style="list-style-type: none"> 1. Se Ooni-appen for retningslinjer for matlaging. Unngå å bruke for mye mel når du lager pizza, og fjern matrester som faller på pizzasteinen. Bruk en Ooni-pizzaovnsbørste til å rengjøre pizzasteinen mellom stekingene. 2. Kontroller at ovnen er riktig montert, og at du bruker riktig gassflaske (trinn 3) og regulator (i henhold til merkeskiltet). 3. Kontakt Oonis kundestøtte.
Problemer med matlaging		 <p>Skann for å laste ned Ooni-appen for pizzatips, oppskrifter og feilsøking.</p> <p>Du kan også kontakte Oonis kundestøtte på support.ooni.com</p>

Hvis et problem vedvarer, kontakter du Oonis kundestøtte på support.ooni.com.

Model: UU-P2B800 Ooni Koda 2 Max	I3+ (28-30/37)	I3B/P(30)	
Ooni Limited, Unit 5, Ooni Park, 189 West Main Street, Broxburn, EH52 5LH, UK	Butane	Propane	Butane, propane or their mixture
	28-30 mbar	37 mbar	28-30 mbar
Read the instructions before using this appliance. Use outdoors only. WARNING: Accessible parts may be very hot, keep young children away. Pizza oven PIN: 2575DP40644	11kw (801 g/h)	11kw (801 g/h)	
	Injector size/Marking: 1.2mm x 2 / 1.20		
	A (outdoors use only)		
	CY, GR, ES, TR	BG, CZ, DK, EE, GR, ES, FI, HR, HU, IL, IS, IT, LT, LV, NL, NO, PL, PT, RO, SA, SE, SI, SK, TR	

Deze handleiding bevat belangrijke informatie die essentieel is voor veilig gebruik van uw oven. Lees deze handleiding volledig door voordat u uw Ooni Koda 2 Max-oven in elkaar zet, installeert, gebruikt of onderhoudt. Als u deze instructies niet opvolgt, kan dit leiden tot materiële schade, brand, ernstig lichamelijk letsel of zelfs de dood.

Bewaar deze handleiding voor toekomstig gebruik.

⚠ WAARSCHUWING

Lees de instructies voordat u het apparaat gebruikt en bewaar deze voor toekomstig gebruik.

Alleen voor gebruik buitenshuis.

Toegankelijke delen kunnen erg heet zijn. Houd jonge kinderen uit de buurt.

Zorg dat dit apparaat tijdens gebruik uit de buurt van brandbare materialen wordt gehouden.

Verplaats het apparaat niet als het in gebruik is.

Sluit na gebruik de gastoevoer bij de gasfles af.

Wees voorzichtig wanneer u de gasfles bevestigt of vervangt en doe dit niet in de buurt van ontstekingsbronnen.

Maak geen aanpassingen aan het apparaat.

Dit apparaat is extreem heet tijdens gebruik.

Laat de oven volledig afkoelen voordat u deze afdekt of verplaatst.

Gebruik alleen de bedieningsknoppen, raak de metalen buitenkant, de pizzasteen of het glas nooit aan wanneer de oven aan staat.

Zorg ervoor dat de opening van de oven van de wind af staat wanneer u het apparaat instelt. Plaats de oven op een afstand van minimaal een meter van bouwwerken of brandbaar materiaal. Gebruik het apparaat niet bij stormachtig weer of zware sneeuwval.

Zet beide bedieningsknoppen op UIT voordat u de gasfles aansluit.

Sluit alleen het soort gas aan dat op het typeplaatje staat.

Gebruik alleen gasflessen van minder dan 13 kg, met een maximale diameter van 315 mm en een maximale hoogte van 580 mm.

De gas slang moet EN16436-gecertificeerd zijn en mag niet langer zijn dan 1,5 m.

Als u op enig moment gas ruikt, sluit dan de gasfles of gastoevoer, zet de bedieningsknoppen op de oven UIT en doof eventuele vlammen.

Draag geen losse kleding wanneer u de oven gebruikt of in de buurt van de oven staat.

Bewaar reservegasflessen nooit onder of dicht bij de oven.

Controleer nooit op lekken met open vuur en probeer de branders nooit aan te steken tijdens het testen.

Wanneer u de oven aansteekt, moet u aan de zijkant staan. Kijk nooit rechtstreeks in de ovenopening of naar de vlam.

Gebruik nooit chemische reinigingsmiddelen of zeep op de pizzasteen.

Giet nooit water op de pizzasteen, want dan kan deze barsten.

Draag hittebestendige handschoenen bij het gebruik van de oven en wanneer u extreem hete verhittingsapparaten vastpakt.

Maak de oven niet schoon en onderhoud deze niet wanneer de oven heet of in gebruik is.

Gebruik geen schuurmiddelen of schuursponsjes om onderdelen van de oven schoon te maken.

Gebruik alleen door Ooni goedgekeurde of officiële accessoires en reserveonderdelen. Als u dit niet doet, kan dit letsel veroorzaken of schade aan uw oven of eigendommen toebrengen.

Als de oven niet goed werkt, zet u de oven uit en neemt u contact op met Ooni-support.

Vervang de gas slang als deze beschadigd is of wanneer dit verplicht is volgens landelijke wetgeving.

U mag niets veranderen aan de verzegelde systemen van het apparaat.

Wees voorzichtig bij het gebruik of de reiniging want de oven kan scherpe randen hebben.

Aan de slag

o Inhoud van de doos:

a Ooni Koda 2 Max-oven	i Digitale temperatuurhub
b Pizzasteen (x 2)	j Montagebeugel
c Voorpoot (x 2)	k Vleugelmoer
d Achterpoot	l Kabel voor omgevingstemperatuur (x 2)
e AA-batterij voor ontsteking	m Voedselthermometer (x 2)
f Torxsleutel	n AA-batterijen (x 2)
g M5-schroeven (x 10)	o Schroeven voor beugelmontage
h Luciferhouder	
Koda 2 Max montage-instructies	Montage-instructies voor digitale temperatuurhub

⚠ **WAARSCHUWING:** uw oven is erg zwaar en er zijn twee mensen nodig om deze op te tillen, in elkaar te zetten en te plaatsen.

TIL DE OVEN NIET OP met pizzastenen in de oven.

ALTIJD de oven aan de onderkant van de bodem vasthouden, **NOOIT** aan de binnenkant van de bovenkap.

1 Installatie en montage

- Kies een geschikte positie en ondergrond voor opstelling.
 - De grote modulaire Ooni-tafel of een ander stevig metalen of houten oppervlak is ideaal om de oven op te zetten. Zet uw oven niet op een plastic of glazen tafel. Zorg er altijd voor dat de tafel bestand is tegen het gewicht van de oven.
 - De ondergrond moet de mogelijkheid bieden dat de ovenopening van de wind af wordt geplaatst. Ook moet deze op een afstand van minimaal een meter van bouwwerken of brandbaar materiaal staan.
 - We raden aan om de oven zo te plaatsen dat de pizzasteen op een hoogte van 1,1 m boven de grond staat.
- Til het deksel van de doos en zet dit ondersteboven neer.
- Til het middelste deel van de buitendoos op en zet dit opzij zodat de verpakking die de zijkanten van de oven beschermt, openvalt.
- Til de oven er met hulp van een andere persoon voorzichtig uit en plaats deze ondersteboven op het deksel van de doos om de bovenkant te beschermen. Zorg ervoor dat alle verpakkingsmaterialen uit de oven worden gehaald.
- Til de kartonnen verdeler uit de doos zodat u de ovenpoten, de digitale temperatuurhub, pizzastenen en andere onderdelen voor montage kunt zien.

1.1 De poten bevestigen

- Bevestig de achterpoot aan de basis met de 4 M5-schroeven, gebruik hiervoor de meegeleverde schroevendraaier.
- Steek de kabelboom in het contact aan de onderkant van de oven, naast de poot.
- Bevestig de twee voorpoten, elk met 3 M5-schroeven.

1.2 De batterij-ontsteking installeren

- ⓘ Het compartiment voor de batterij-ontsteking bevindt zich aan de binnenkant van de achterpoot.
- Draai de dop los (linksom) en plaats de meegeleverde AA-batterij, let daarbij op de richtingen (+/-).
 - Draai de dop er weer op (rechtsom).

1.3 Volg de montage-instructies van de digitale temperatuurhub om deze te installeren.

1.4 De pizzastenen plaatsen

- ⓘ De pizzastenen zijn zwaar, pas op dat uw vingers niet bekneld raken.
- Als uw oven ondersteboven staat: Draai de oven met de hulp van een andere persoon voorzichtig rechtop en plaats de oven vervolgens op de beoogde locatie.
 - Til de eerste pizzasteen voorzichtig met beide handen op en plaats deze zo dat de afgeronde hoek naar de achterste hoek van de oven wijst. Schuif de pizzasteen op zijn plaats en zorg ervoor dat u geen krassen op de pizzarichel maakt.
 - Pak de tweede pizzasteen met beide handen op en herhaal het proces aan de andere kant.
 - Om een pizzasteen te verwijderen, duwt u met één hand de steen omhoog via het gat in de bodem totdat de voorkant van de pizzasteen hoog genoeg is gekanteld om met uw andere hand vast te pakken en eruit te schuiven. **Probeer nooit** de pizzastenen te verwijderen als ze heet zijn.

2 Installatie van de gas slang (indien nodig)

- ⓘ Uw oven wordt geleverd met de gas slang en regelaar die het meest geschikt zijn voor de gasvoorziening in de regio van uw aankoop. Als u een andere gasfles hebt, neem dan contact op met Ooni-support.
- Duw de slang op de slangpilaar.
 - Schuif de spanbeugel over de slang.
 - Draai de beugel vast met een hiervoor geschikte schroevendraaier.

3 Op gas aansluiten

- ⓘ Zet beide bedieningsknoppen op UIT voordat u de gasfles aansluit.

⚠ WAARSCHUWING

Gebruik alleen gasflessen van minder dan 13 kg, met een maximale diameter van 315 mm en een maximale hoogte van 580 mm.

Wees voorzichtig wanneer u de gasfles bevestigt of vervangt en doe dit niet in de buurt van ontstekingsbronnen.

De minimale afstand tussen het apparaat en de gasfles moet minimaal 635 mm zijn.

Sluit alleen het soort gas aan dat op het typeplaatje staat.

Patio-gasregelaar

Dit is een gasaansluiting die erop wordt geduwd. Zorg ervoor dat de zwarte schakelaar horizontaal staat en druk vervolgens op de knop onder de zwarte schakelaar. Duw de regelaar op het gasflesventiel totdat deze vastklikt.

POL-gasregelaar

Deze gasaansluiting is linksom. Zorg ervoor dat het gasflesventiel helemaal DICHT is en schroef de regelaar vervolgens op de aansluiting van het gasflesventiel totdat deze vastzit.

3.1 De gasfles aansluiten

- Het gasflesventiel moet DICHT staan.
- Zorg ervoor dat de bedieningsknoppen van de oven ook UIT staan.
- Inspecteer de ventielaansluitingen, poort en regelaareenheid. Verwijder vuil en inspecteer de slang op beschadigingen.
- Sluit de regelaareenheid als volgt aan op het ventiel: druk de regelaar op het ventiel door de handmoer linksom te draaien.
- U opent het gasflesventiel helemaal door de zwarte schakelaar op de regelaar linksom te draaien.

3.2 Testen op lekken

- Controleer elke keer dat u een gasflesventiel opnieuw aansluit of de gasfles vervangt met behulp van een lekdetectorspray of een oplossing van afwasmiddel en water op gaslekken.
- Gebruik een borsteltje of spuitfles om de oplossing op de aansluitingen en regelaar aan te brengen. Inspecteer de gasslang en breng de oplossing aan op eventuele scheuren die u aantreft.
- Als er een lek is, ziet u belletjes in de oplossing. Als u in de slangaansluiting een lek constateert, draai de aansluiting dan vast en controleer opnieuw of er lekkage is. Als u een lek blijft zien of als er een scheur in de slang zit waardoor deze lekt, **gebruik de oven dan niet**. Neem contact op met Ooni-support voor advies.
- Als u een lek vindt, **gebruik de oven dan niet**, verwijder de gasfles. Als het lek in de oven of in de slang wordt gevonden, neem dan contact op met Ooni-support. Als het lek in het gasflesventiel wordt gevonden, neem dan contact op met uw gasleverancier.

- ⓘ Vervangende regelaars moeten EN16129-gecertificeerd zijn en slangen moeten een EN16436-certificatie en mogen niet langer zijn dan 1,5 m.

3.3 De gasfles afsluiten

- Draai de bedieningsknoppen van de gasbrander UIT.
- Draai de zwarte schakelaar op de regelaar rechtsom.
- Druk op de knop op de regelaar om deze los te maken van de bovenkant van de gasfles.
- Plaats de stofkap op het blootgestelde gasflesventiel wanneer de gasfles niet in gebruik is.

⚠ WAARSCHUWING

Als u op enig moment gas ruikt, sluit dan de gasfles of gastoevoer, zet de bedieningsknoppen op de oven UIT en doof eventuele vlammen.

Controleer nooit op lekken met open vuur en probeer de branders nooit aan te steken tijdens het testen.

4 Koda 2 Max aansteken

⚠ WAARSCHUWING

Wanneer u de oven aansteekt, moet u aan de zijkant staan. Kijk nooit rechtstreeks in de ovenopening of naar de vlam.



Als een van beide branders niet ontvlamt zoals verwacht, raadpleeg dan de gids voor probleemoplossing. Draai het gas uit en wacht 5 minuten voordat u de oven opnieuw probeert aan te steken. Gebruik alleen

de bedieningsknoppen, raak de metalen oppervlakken aan de buitenkant, pizzasteen of glas nooit aan wanneer de oven aan is.

Draag hittebestendige handschoenen bij het gebruik van de oven en wanneer u extreem hete verhittingsapparaten vastpakt.

4.1 Ontsteking

- ⓘ De linkerdraaiknop bedient de linkerbrander, met de rechterdraaiknop bedient u de rechterbrander.
- Houd de bedieningsknop ingedrukt terwijl u langzaam linksom draait om vonken te veroorzaken en het gas aan te steken. Eenmaal aangestoken, houdt u de knop 5 seconden vast om de vlam te behouden.
 - Controleer of het gas is ontstoken.
 - Zo ja, ga dan naar 4.3.
 - Als de brander niet ontvlamt, schakelt u de brander UIT, wacht u 5 minuten en probeert u het opnieuw.
 - Als de brander na de tweede poging niet ontvlamt, schakelt u deze UIT, wacht u 5 minuten en volgt u de instructies in stap 4.2.
 - Als de branders correct zijn aangestoken, moeten ze er zoals op de afbeelding uitzien.
 - Als een of beide branders per ongeluk worden gedoofd, raadpleeg dan de probleemoplossing.

4.2 De oven met de luciferhouder aansteken

- ⓘ Kijk nooit rechtstreeks in de oven bij het aansteken, ga altijd aan de zijkant staan en draag altijd handschoenen.
 - ⓘ Als de branders na verschillende pogingen met de bedieningsknoppen niet aangaan, kunt u ze aansteken met een lucifer. De meegeleverde luciferhouder is bevestigd aan de andere kant, onderaan het bedieningspaneel bevestigd.
- Als u al hebt geprobeerd de branders met behulp van de bedieningsknoppen aan te steken, schakelt u deze UIT en wacht u 5 minuten totdat het gas is verdwenen.
 - Steek een lucifer in de luciferhouder, steek de lucifer aan en raak hiermee via de opening van de oven een van de branders aan.
 - Duw de bedieningsknop van de betreffende brander in en draai deze langzaam naar het maximum. De brander moet onmiddellijk ontvlammen.
 - Blijf de bedieningsknop na het aansteken 5 seconden ingedrukt houden en laat dan los.
 - Als de brander niet binnen enkele seconden aangaat, zet u de bedieningsknop UIT, wacht u 5 minuten en probeert u het opnieuw.

4.3 Gebruik van de gasbranders

- Draai aan de bedieningsknop om de bijbehorende vlam en temperatuur aan te passen.
 - De gasbrander staat UIT.
 - De gasbrander staat op de **maximale** vlam.
 - De gasbrander staat op de **minimale** vlam.
- Herhaal het proces (beginnend bij 4.1) om de tweede brander aan te steken.
- Als u de brander wilt uitschakelen, drukt u **de bedieningsknop in** en draait u rechtsom totdat deze stopt en de bijbehorende vlam dooft.

4.4 Uw oven inbranden

- ⓘ U moet uw oven inbranden voordat u er voor de eerste keer iets in bereidt.
 - ⓘ Draag altijd handschoenen wanneer u uw hand in de oven steekt.
- Zet de oven hiervoor 30 minuten op de hoogste temperatuur.
 - Zet de oven uit, laat deze volledig afkoelen en veeg de binnenkant af met een droog stuk keukenpapier.

4.5 De oven uitzetten

- Als u de oven na het inbranden of bakken wilt uitschakelen, drukt u de bedieningsknop in en draait u deze rechtsom totdat deze stopt en de bijbehorende vlam dooft. Herhaal dit voor beide branders.
- Sluit de gastoevoer af en koppel de regelaar los.

4.6 Eten bereiden in uw oven

- Zet beide branders op vol vermogen aan om de oven en pizzastenen minimaal 30 minuten voor te verwarmen.
- Bak pizza's en andere broodgerechten alleen direct op de pizzasteen. Als u vlees, groenten of andere gerechten wilt bereiden, gebruikt u het Ooni-assortiment gietijzeren en andere Ooni-pannen of andere door Ooni goedgekeurde kookaccessoires.
- De oven is met twee onafhankelijke branders uitgerust, zodat u als u wilt aan één kant van de oven, aan beide kanten op dezelfde temperatuur of aan beide kanten op verschillende temperaturen kunt koken om verschillende pizzastijlen mogelijk te maken.

! **Steek u hand nooit** in de oven om voedselresten die op de pizzasteen zijn gevallen, op te ruimen. Laat de oven uitbranden en verwijder de resten zodra de oven is afgekoeld. Raadpleeg de procedure voor het reinigen van pizzastenen in het onderhoudsgedeelte van deze handleiding voor aanvullende tips.

i We raden ten eerste aan om een digitale infraroodthermometer van Ooni te gebruiken om de temperatuur van de pizzasteen nauwkeurig te meten. Uw pizzasteen warmt langzamer op dan de lucht in de oven. (Voor geweldige pizza's hebt u een balans van beide nodig.) Daarom is het belangrijk om zowel een digitale infraroodthermometer van Ooni als de digitale temperatuurhub te gebruiken om ervoor te zorgen dat de temperatuur van uw pizzasteen en die van de lucht dicht bij elkaar liggen.

i Download de Ooni-app voor alles wat u moet weten over bakken met de Koda 2 Max.

5 Montage van het vizier (indien nodig)



Scan voor video-instructies

! Draag beschermende handschoenen en zorg ervoor dat uw oven is afgekoeld.

- Open het scharnier met de torxsleutel om de schroef linksom los te draaien.
- Plaats met beide handen de rechterkant van het vizier in de U-vormige beugel aan de rechterbovenkant van de ovenopening.
- Plaats de linkerkant van het vizier in de uitsparing op het linkerscharnier.
- Plaats uw linkerduim onder het scharnier en duw dit voorzichtig omhoog totdat het plat tegen de ovenbehuizing aan ligt. Houd het scharnier in deze positie vast.
- Gebruik de torxsleutel om de schroef rechtsom vast te draaien en het scharnier te vergrendelen.
- Zorg ervoor dat het scharnier is vastgeklikt.

5.1 Het vizier verwijderen

Als u de oven grondig wilt reinigen of er grotere items in wilt bereiden, volgt u deze stappen om het vizier te verwijderen:

! Draag beschermende handschoenen en zorg ervoor dat uw oven is afgekoeld.

- Plaats uw linkerduim boven de schroef om het scharnier te ondersteunen.
- Draai de schroef linksom los met de torxsleutel zodat het scharnier losklikt.
- Laat het scharnier voorzichtig met uw linkerduim zakken, waardoor het vizier omlaag kan komen.
- Gebruik beide handen om de linkerkant van het vizier voorzichtig op te tillen en trek het naar voren om het vizier los te maken van de rechterbeugel.
- Als u het scharnier wilt sluiten, plaatst u uw linkerduim onder het scharnier en duwt u dit voorzichtig omhoog totdat het plat tegen de ovenbehuizing aan ligt. Houd het scharnier op zijn plaats en draai de schroef rechtsom om te vergrendelen.
- Zorg ervoor dat het scharnier is vastgeklikt.

6 Onderhoudsinstructies

⚠ WAARSCHUWING

Maak de oven niet schoon en onderhoud deze niet wanneer de oven heet of in gebruik is.

Draag altijd handschoenen wanneer u de oven schoonmaakt.

Gebruik geen schuurmiddelen of schuursponsjes om onderdelen van de oven schoon te maken.

Gebruik geen chemische reinigingsmiddelen op geleverde oppervlakken.

Wees voorzichtig wanneer u de oven van binnen schoonmaakt want deze kan scherpe randen hebben.

Dek de oven altijd af als u deze buiten opbergt.

6.1 De binnenkant reinigen

- Schakel de oven na gebruik uit en laat deze volledig afkoelen voordat u de binnenkant en de buizen van de gasbrander afveegt met keukenpapier.
- Als het glazen vizier vies is, kunt u het voorzichtig schoonmaken met een vochtige doek of een droog stuk keukenpapier. Bij hardnekkige vlekken, verwijdert u het vizier volgens de meegeleverde instructies (stap 5.1).

6.2 De buitenkant reinigen

- U kunt de buitenkant van de Koda 2 Max met warm zeepsop afnemen en dan direct afdrogen. Vermijd schuurmiddelen of producten met agressieve chemicaliën.
- Droog de oven direct en dek deze af met de Koda 2 Max Cover.

6.3 De pizzastenen reinigen

! **Gebruik nooit** chemische reinigingsmiddelen of zeep op de pizzastenen. **Gebruik nooit** water om uw pizzastenen te reinigen.

Het is niet nodig om de pizzastenen te wassen, het is normaal dat ze er in de loop van de tijd anders uit gaan zien.

- Zet de oven 45 minuten op vol vermogen aan zonder er iets in te bereiden. De pizzasteen is bij hoge temperaturen zelfreinigend en eventuele voedselresten of vuil verassen.
- Laat de oven volledig afkoelen en borstel de as weg met een Ooni-pizzaovenborstel. Let op: De pizzastenen voor uw oven zijn symmetrisch en dubbelzijdig, zodat u ze tussen de gebruiksmomenten kunt omdraaien (afgekoeld) en eventuele hardnekkige resten die er onder zitten de volgende keer dat u iets bereidt, kunnen verbranden.

6.4 Vervangen van de batterij-ontsteking

- Het compartiment voor de batterij-ontsteking bevindt zich aan de binnenkant van de achterpoot.
 - Draai de dop linksom los om de lege batterij te verwijderen en vervang deze door een nieuwe, let daarbij op de richtingen (+/-).
 - Draai de dop er weer op (rechtsom).
 - Recycle de lege batterij.
- i** Als u de oven langer dan een maand opbergt, verwijder dan de batterij.

Verleng uw garantie van 1 jaar tot 5 jaar*, dit is gratis wanneer u uw product binnen 60 dagen na aankoop registreert op [ooni.com/warranty](https://www.ooni.com/warranty).*

*Er zijn voorwaarden van toepassing

Problemen oplossen

Probleem	Mogelijke oorzaak	Oplossing
Mijn oven ontvlamt niet	<ol style="list-style-type: none"> 1. Onjuiste installatie. 2. Onvoldoende gastoevoer. 3. Regelaar verkeerd bevestigd. 4. Geen vonk van de ontsteking. 5. Er is een vonk of hoorbare klik, maar het gas ontvlamt niet. 	<ol style="list-style-type: none"> 1. Zorg ervoor dat de oven volgens de instructies in stap 1 is ingesteld. 2. Zorg ervoor dat er brandstof in de gasfles zit en deze rechtop staat. Een lege of bijna lege fles kan de prestaties beïnvloeden. Controleer op knikken in de gasslang. 3. Zorg ervoor dat de regelaar goed op de gasfles is bevestigd. 4. Controleer de batterij-ontsteking, of deze correct is geplaatst en voldoende batterijvermogen heeft (stap 1.2). Zorg ervoor dat de kabelboom goed is aangesloten (stap 1.1). 5. Neem contact op met de klantenservice van Ooni. U kunt de oven zo nodig ook aansteken met een lucifer en de luciferhouder (stap 4.2).
Mijn ovenbranders ontvlammen, maar blijven niet branden.	<ol style="list-style-type: none"> 1. Het vlambewakingsapparaat (FSD) is niet ingeschakeld. 2. Het FSD-thermokoppel is vies. 3. Het FSD-thermokoppel werkt niet goed. 	<ol style="list-style-type: none"> 1. Volg de stappen voor het aansteken nauwkeurig (stap 4). Zorg ervoor dat u de bedieningsknop na het aansteken minimaal 5 seconden ingedrukt houdt om het vlambewakingsapparaat (FSD) in te schakelen. 2. Sluit de gastoevoer af, wacht tot de oven is afgekoeld, reinig het FSD-thermokoppel voorzichtig met een vochtige doek en laat dit volledig drogen voordat u het opnieuw aansteekt. (Mogelijk moet u het vizier verwijderen om er gemakkelijker bij te kunnen.) 3. Als stap 1 en 2 het probleem niet oplossen, neem dan contact op met de klantenservice van Ooni.
Mijn oven wordt niet heet genoeg.	<ol style="list-style-type: none"> 1. Onvoldoende gastoevoer. 2. Gasfles/regelaardruk. 3. Opstelling en plaatsing van de oven. 4. Weersomstandigheden. 5. Vlamterugslag (dit gaat meestal vergezeld van een brullend geluid). 6. Het vizier is verwijderd. 	<ol style="list-style-type: none"> 1. Zorg ervoor dat er brandstof in de gasfles zit en deze rechtop staat. Een lege of bijna lege fles kan de prestaties beïnvloeden. Controleer op knikken in de gasslang. 2. Kies een geschikte gasfles (stap 3) en regelaardruk (volgens het typeplaatje). 3. Zie installatie-instructies (stap 1). Gebruik de oven op een plek die beschermt is tegen wind, of plaats hem in ieder geval zo dat de opening van de wind af staat. 4. De voorverwarmingstijd en maximale temperatuur kunnen door de locatie en de weersomstandigheden worden beïnvloed. Pas de verwachte voorverwarmingstijd aan, rekening houdend met wisselende omgevingsomstandigheden. Als uw oven is blootgesteld aan vocht of kou, kan het langer duren om deze voor te verwarmen. Bewaar in een waterdichte hoes en berg de pizzastenen binnen op gedurende langere perioden waarin het apparaat niet wordt gebruikt. 5. Volg de stappen om de gasbrander uit te schakelen, wacht 5 minuten en steek de oven weer aan (stap 4.1). 6. De voorverwarmingstijd en de maximale temperatuur kunnen bij het koken zonder het vizier worden beïnvloed. Installeer opnieuw om ervoor te zorgen dat de temperatuur wel kan worden bereikt.
Overmatig roetachtige vlam/ roet aan de binnenkant van de oven en het vizier.	<ol style="list-style-type: none"> 1. Brandende voedselresten. 2. Onjuiste installatie of incompatibele gasfles of regelaar. 3. Verstopte gasventuri. 	<ol style="list-style-type: none"> 1. Raadpleeg de Ooni-app voor bereidingsrichtlijnen. Vermijd het gebruik van te veel bloem om uw pizza uit de oven te halen en verwijder alle etensresten die op de pizzasteen achterblijven. Gebruik een Ooni-pizzaovenborstel om de pizzasteen tussen gebruiksmomenten door schoon te maken. 2. Zorg ervoor dat uw oven juist in elkaar is gezet en dat u de juiste gasfles (stap 3) en regelaar (volgens het typeplaatje) gebruikt. 3. Neem contact op met de klantenservice van Ooni.
Problemen met bereiden		 <p>Scan om de Ooni-app te downloaden voor pizzatips, recepten en probleemoplossing.</p> <p>U kunt ook contact opnemen met onze Ooni-klantenservice via support.ooni.com</p>

Als het probleem aanhoudt, neem dan contact op met de klantenservice van Ooni via support.ooni.com.

Model: UU-P2B800 Ooni Koda 2 Max	I3+ (28-30/37)	I3B/P(30)	
Ooni Limited, Unit 5, Ooni Park, 189 West Main Street, Broxburn, EH52 5LH, UK	Butane	Propane	Butane, propane or their mixture
	28-30 mbar	37 mbar	28-30 mbar
Read the instructions before using this appliance. Use outdoors only. WARNING: Accessible parts may be very hot, keep young children away. Pizza oven PIN: 2575DP40644	11kw (801 g/h)		11kw (801 g/h)
	Injector size/Marking: 1.2mm x 2 / 1.20		
	A (outdoors use only)		
	CY, GR, ES, TR		BG, CZ, DK, EE, GR, ES, FI, HR, HU, IL, IS, IT, LT, LV, NL, NO, PL, PT, RO, SA, SE, SI, SK, TR

هذا الدليل يشتمل على معلومات مهمة ضرورية لتشغيل الفرن بشكل آمن. يرجى قراءة هذا الدليل بالكامل قبل تجميع فرن كودا ٢ ماكس من أوني أو تركيبها أو استخدامها أو صيانتها. وقد يؤدي عدم اتباع هذه التعليمات إلى تلف الممتلكات أو نشوب حريق أو وقوع إصابات خطيرة أو حتى الوفاة.

يرجى الاحتفاظ بهذا الدليل للرجوع إليه في المستقبل.

⚠ تحذير

اقرأ التعليمات قبل الاستخدام واحتفظ بها للرجوع إليها في المستقبل.

يُستخدم في الأماكن الخارجية فقط.

قد يكون الهيكل الخارجي ساخن للغاية. تأكد من إبقاء الأطفال على مسافة آمنة بعيداً عن الفرن.

تأكد من إبقاء الفرن على مسافة آمنة بعيداً عن المواد القابلة للاشتعال أثناء الاستخدام.

لا تحرك الفرن أثناء الاستخدام.

قم بإغلاق محبس الغاز في الأسطوانة بعد الاستخدام.

يرجى الحذر عند توصيل أسطوانة الغاز أو تغييرها، وقم بذلك بعيداً عن أي مصدر للاشتعال.

لا تُعدل من وضعية الفرن.

يصبح الفرن ساخناً للغاية عند الاستخدام.

يرجى ترك الفرن حتى تبرد تمامًا قبل تغطيتها أو تحريكها.

لا تعمل الفرن سوى بأقراص التحكم؛ يرجى عدم لمس الأسطح المعدنية الخارجية أو حجر البييتزا أو الزجاج مطلقاً أثناء تشغيل الفرن.

عند التركيب، تأكد من أن فتحة الفرن موجهة بعيداً عن اتجاه الريح. يرجى وضع الفرن على مسافة لا تقل عن متر واحد من أي جسم أو مادة قابلة للاشتعال. يرجى عدم استخدامها في الطقس العاصف أو أثناء هبوب الثلوج الكثيفة.

يرجى التأكد من إدارة قرصي التحكم إلى وضع OFF (إيقاف التشغيل) قبل توصيل أسطوانة الغاز.

قم بتوصيل أسطوانة الغاز المدرجة على لوحة التصنيف فقط.

لا تستخدم سوى مع الأسطوانات التي يقل وزنها عن ١٣ كجم، ويبلغ أقصى قطر لها ٣١٥ مم وأقصى ارتفاع ٥٨٠ مم.

يجب أن يكون خرطوم الغاز معتمداً وفق المعيار EN١٦٤٣٦ بطول أقصاه ١,٥ متر.

بدء الاستخدام

📌 محتويات العبوة:

أ	فرن أوني كودا ٢ ماكس	ط	لوحة درجات الحرارة الرقمية
ب	٢ × حجر بييتزا	ي	حامل التثبيت
ج	٢ × ساق أمامية	ك	صمولة يدوية
د	ساق خلفية	ل	٢ × كابل درجة الحرارة المحيطة
هـ	بطارية AA للاشتعال	م	٢ × مجس قياس حرارة الطعام
و	مفتاح سداسي	ن	٢ × بطارية AA
ز	١٠ × مسامير M٥	س	مسامير التثبيت
ح	حامل أعواد الثقاب		

تعليمات تجميع فرن كودا ٢ ماكس تعليمات تجميع موزع درجة الحرارة الرقمي

⚠ **تنبيه:** الفرن ثقيلة جداً وتتطلب شخصين لحملها وتجميعها وتثبيتها.

لا تقم بحمل الفرن دون إزالة أحجار البييتزا من مكانها.

عليك دائماً حمل الفرن من الجانب السفلي للقاعدة، ولا تقم مطلقاً بحملها من داخل الغلاف الخارجي.

1 التركيب والتجميع

a. اختر وضعًا مناسبًا وسطح ملائم لتثبيت الفرن عليه.

i. تعد طاولة أوني المعيارية الكبيرة أو أي سطح معدني أو خشبي آخر متين بمنزلة سطح مثالي لدعم الفرن. لكن لا تضعها على طاولات بلاستيكية أو زجاجية. وتأكد دائماً من متانة الطاولة وقدرتها على تحمل وزن الفرن.

ii. يجب ضبط السطح بما لا يسمح لفتحة الفرن بمواجهة اتجاه الرياح ويجب أن يبعد مسافة متر واحد من أي جسم أو مادة قابلة للاحتراق.

iii. نوصي بوضع الفرن بحيث يستقر حجر البييتزا على ارتفاع ١,١ متر من الأرض.

b. ارفع غطاء الصندوق وضعه بالمقلوب في مكان قريب.

c. ارفع جزء الصندوق الخارجي المركزي لأعلى بعيداً عن الفرن، مما يسمح للغلاف الذي يحمي جوانب الفرن بالسقوط.

d. ارفع الفرن برفق وبمساعدة شخص آخر، وأقلبها على غطاء الصندوق لحماية الجزء العلوي. وتأكد من إزالة جميع أجزاء التغليف.

e. ارفع الفاصل الورقي الموجود داخل الصندوق للكشف عن أرجل الفرن وموزع درجة الحرارة الرقمي وأحجار البييتزا وغيرها من الأجزاء اللازمة للتجميع.

1.1 تثبيت السيقان

a. قم بتثبيت الساق الخلفية بالقاعدة باستخدام ٤ × مسامير M٥ ومفك البراغي المرفق.

b. قم بتوصيل كابل بطارية الإشعال بالمقبس الموجود على قاعدة الفرن بجوار الساق.

c. قم بتوصيل الساقين الأماميتين باستخدام ٣ × مسامير M٥ لكل ساق.

1.2 تركيب بطارية الإشعال

📌 المساحة المخصصة لبطارية الإشعال توجد داخل الساق الخلفية.

a. قم بفك الغطاء عكس اتجاه عقارب الساعة، وقم بتثبيت بطارية AA المرفقة، مع الانتباه إلى اتجاهات الأقطاب +/-.

b. أعد تثبيت الغطاء بالمسامير مرة أخرى في اتجاه عقارب الساعة.

1.3

اتبع تعليمات تجميع موزع درجة الحرارة الرقمي لتثبيته.

1.4 تركيب أحجار البييتزا

⚠ برجاء الانتباه فإن أحجار البييتزا ثقيلة، لذا احذر من أن تضغط على أصابعك.

a. إذا كان الفرن مقلوباً: اقلب الفرن بعناية وبمساعدة شخص آخر لتكون في وضع قائم، ثم ضعها في المكان المحدد.

b. ارفع حجر البييتزا الأول بعناية وباستخدام كلتا يديك، ثم ضعه بحيث تواجه زاويته المستديرة الزاوية الخلفية للفرن. حرك حجر البييتزا ليستقر في موضعه، مع الحرص على عدم خدش حافة الحجر.

c. التقط حجر البييتزا الثاني باستخدام كلتا يديك، ثم كرر العملية على الجانب الآخر.

d. لإزالة أي من حجري البييتزا، استخدم إحدى يديك للدفع لأعلى من خلال الفتحة الموجودة في قاعدة الفرن حتى ترتفع مقدمة الحجر بدرجة كافية لتمكين من الإمساك به وتحريكه للخارج باستخدام اليد الأخرى. لا تحاول أبداً إزالة أحجار البييتزا وهي ساخنة.

2 تركيب أنبوب خرطوم الغاز (إذا لزم الأمر)

📌 يتم تزويد الفرن الخاص بك بخرطوم الغاز والمنظم الأنسب لنوع الغاز المستخدم في منطقة الشراء. وإذا كان لديك أسطوانة غاز بديلة، فاتصل بخدمة الدعم التابعة لأوني.

a. ادفع الخرطوم تجاه السن.

b. قم بتحريك مشبك اليوبيل لينزلق على الخرطوم.

c. قم بربط المشبك باستخدام المفك المناسب.

3 التوصيل بالغاز

1 يرجى التأكد من إدارة قرصي التحكم إلى وضع OFF (إيقاف التشغيل) قبل توصيل أسطوانة الغاز.

⚠ تحذير



لا تستخدم سوى مع الأسطوانات التي يقل وزنها عن ١٣ كجم، ويبلغ أقصى قطر لها ٣١٥ مم وأقصى ارتفاع ٥٨٠ مم. كن حذرًا عند توصيل أو تغيير أسطوانة الغاز وقم بذلك بعيدًا عن أي مصدر اشتعال.

منظم غاز الأماكن الخارجية

عند تركيب الغاز بالضغط. تأكد من أن المفتاح الأسود في الوضع الأفقي، ثم اضغط على الزر الموجود أسفله. وادفع المنظم داخل صمام أسطوانة الغاز حتى يستقر في مكانه.

منظم غاز البروبان

عند تركيب الغاز باللف عكس اتجاه عقارب الساعة. تأكد من إغلاق صمام أسطوانة الغاز تمامًا، ثم قم بتركيب المنظم داخل صمام أسطوانة الغاز بإحكام.

3.1 توصيل أسطوانة الغاز

- يجب التأكد من أن صمام أسطوانة الغاز في وضع OFF (إيقاف التشغيل).
- تأكد من أن أقراص التحكم في الفرن في وضع OFF (إيقاف التشغيل) أيضًا.
- افحص وصلات الصمام والمنفذ وتركيبه المنظم. ثم قم بإزالة أي رواسب وافحص الخرطوم للتأكد من عدم وجود أي تلف.
- قم بتوصيل مجموعة المنظم بالصمام، عن طريق دفع المنظم تجاه الصمام عن طريق تدوير الصامولة اليدوية عكس اتجاه عقارب الساعة.
- افتح صمام الأسطوانة بالكامل عن طريق تشغيل المفتاح الأسود بالمنظم في اتجاه عكس عقارب الساعة.

3.2 اختبار التسريب

- تأكد من عدم وجود تسريبات للغاز في كل مرة تعيد فيها التركيب أو استبدال أسطوانة الغاز باستخدام رذاذ الكشف عن التسريب أو محلول من صابون تنظيف الأطباق والماء.
 - استخدم فرشاة أو زجاجة رذاذ لرش المحلول على التوصيلات والمنظم. وافحص خرطوم الغاز، ثم قم برش المحلول على أي شقوق تجدها.
 - في حالة وجود أي تسريب، ستجد المحلول يتدفق. إذا لاحظت وجود تسريب في تركيب الخرطوم، فقم بإحكام ربطه وإعادة التحقق من وجود أي تسريب مرة أخرى. إذا استمر التسريب أو وجدت شقوق في الخرطوم تسبب التسريب، **فلا تقم** بتشغيل الفرن. واتصل بخدمة الدعم التابعة لأوني للحصول على المساعدة.
 - إذا وجدت أي تسريب، **لا تقم** بتشغيل الفرن؛ وعليك إزالة أسطوانة الغاز. إذا وجدت تسريب في الفرن أو الخرطوم، فاتصل بخدمة الدعم التابعة لأوني. إذا وجدت تسريب في صمام أسطوانة الغاز، فاتصل بمورد الغاز الخاص بمنطقتك.
- 1 يجب أن تكون منظمات الاستبدال معتمدة وفق معيار EN16129 ومعيار EN16436 للخرطوم، بطول أقصاه ١,٥ متر.

3.3 فصل أسطوانة الغاز

- أدر أقراص التحكم في موقد الغاز إلى وضع OFF (إيقاف التشغيل).
- أدر المفتاح الأسود بالمنظم في اتجاه عقارب الساعة.
- اضغط على الزر الموجود بالمنظم لتحريره من أعلى أسطوانة الغاز.
- ضع غطاء الغبار على صمام أسطوانة الغاز المكشوف عند عدم استخدام الفرن.

⚠ تحذير

إذا شممت رائحة غاز في أي وقت، أغلق أسطوانة الغاز أو صمام المنظم، وأضبط أقراص التحكم في الفرن إلى وضع OFF (إيقاف التشغيل)، ثم قم بإطفاء أي لهب مشتعل.

4 إشعال فرن كودا ٢ ماكس

⚠ تحذير

تنج جانبًا عند الإشعال. ولا تنظر مباشرة إلى فتحة الفرن أو إلى مصدر اللهب. إذا لم تنجح أي من الشعلتين في إشعال الفرن كما هو متوقع، فراجع دليل استكشاف الأعطال وإصلاحها. ثم أغلق الغاز وانتظر مرور ٥ دقائق قبل محاولة الإشعال مرة أخرى. ثم قم بتشغيله باستخدام أقراص التحكم فقط؛ ولا تلمس أبدًا الأسطح المعدنية الخارجية أو حجر البيتزا أو الزجاج أثناء تشغيل الفرن. قم بارتداء القفازات الواقية من الحرارة عند استخدام الفرن وعند التعامل مع معدات الطهي الساخنة بشكل خاص.

4.1 الإشعال

- تتحكم الأقراص على الجانب الأيسر في الموقد الأيسر؛ بينما تتحكم الأقراص على الجانب الأيمن في الموقد الأيمن.
 - اضغط مع الاستمرار على أي من قرصي التحكم أثناء تدويره ببطء عكس اتجاه عقارب الساعة لإشعال الغاز. وبمجرد الإشعال، استمر في الضغط لمدة ٥ ثوانٍ للحفاظ على اللهب.
 - تحقق من اشتعال الغاز.
 - إذا اكتمل الاشتعال، فانتقل إلى الخطوة ٤,٣.
 - إذا لم يشتعل، فانتقل إلى وضع OFF (إيقاف التشغيل)، وانتظر مرور ٥ دقائق ثم أعد المحاولة مرة أخرى.
 - إذا لم يشتعل بعد المحاولة الثانية، فقم بالتبديل إلى وضع OFF (إيقاف التشغيل)، وانتظر ٥ دقائق ثم اتبع الخطوة ٤,٢.
 - إذا تم الإشعال بشكل صحيح، فيجب أن يكون مثل الرسم التوضيحي.
 - إذا تم إطفاء الشعلتين أو كليهما عن طريق الخطأ، فيرجى الرجوع إلى استكشاف الأعطال وإصلاحها.

4.2 إشعال الفرن باستخدام حامل أعواد الثقاب

- لا تنظر مباشرة إلى الفرن عند إشعالها؛ وارجى الوقوف دائمًا على الجانب وارتداء القفازات طوال الوقت.
- إذا لم تشتعل الشعلتين بعد عدة محاولات باستخدام أقراص التحكم، فيمكنك إشعالها باستخدام أعواد الثقاب. عليك توصيل حامل أعواد الثقاب المرفق بالقاعدة على الجانب الآخر من لوحة التحكم.
 - إذا حاولت إشعال الشعلتين بالفعل باستخدام أقراص التحكم، فقم بالتبديل إلى وضع OFF (إيقاف التشغيل) وانتظر مرور ٥ دقائق حتى يتبدد أي غاز.
 - أدخل عود ثقاب في حامل عود الثقاب ، وأشعل المباراة ولمسها بأحد الشعلات من خلال فم الفرن.
 - ادفع قرص التحكم الذي يتوافق مع الموقد وقم بتدويره ببطء إلى الحد الأقصى. يجب أن يشتعل الموقد على الفور.
 - استمر في دفع قرص التحكم للداخل لمدة ٥ ثوانٍ بعد الإشعال ، ثم حرره.
 - إذا لم يضيء الموقد في غضون ثوانٍ ، فقم بإيقاف تشغيل قرص التحكم ، وانتظر ٥ دقائق ، ثم حاول مرة أخرى.

4.3 استخدام موقد الغاز

- أدر قرص التحكم لضبط اللهب ودرجة الحرارة المقابل حسب الحاجة.
 - موقد الغاز مطفأ.
 - تم ضبط موقد الغاز على **أقصى** لهب.
 - تم ضبط موقد الغاز على **أقصى** لهب.
- كرر الخطوات (بدءًا من ٤,١) لإشعال الموقد الثاني.
- لإيقاف التشغيل، اضغط على **قرص التحكم** وقم بتدويره في اتجاه عقارب الساعة حتى يتوقف وينطفئ اللهب المقابل.

4.4 تجفيف الفرن

- يجب تجفيف الفرن قبل استخدامه للطهي في أول مرة.
 - ارتد القفازات دائمًا عند إدخال يدك في الفرن.
 - للقيام بذلك، قم بتشغيل الفرن على أقصى درجة حرارة لمدة ٣٠ دقيقة.
 - أغلق الفرن واتركه يبرد تمامًا، ثم امسحه من الداخل بمناشف ورقية جافة.

4.5 إغلاق الفرن

- إيقاف التشغيل بعد تجفيفه أو استخدامه، اضغط على قرص التحكم وقم بتدويره في اتجاه عقارب الساعة حتى يتوقف وينطفئ اللهب المقابل. ثم كرر الخطوة لكلا الشعلتين.
- أغلق مصدر الغاز وافصل المنظم.

4.6 استخدام الفرن للطبخ

- قم بتشغيل كلتا الشعلتين بكامل طاقتهما لتسخين الفرن وأحجار البييتزا لمدة ٣٠ دقيقة على الأقل.
- قم فقط بطهي البييتزا والأطباق الجافة الأخرى القائمة على الخبز مباشرة على حجر البييتزا. لطهي اللحوم أو الخضروات أو الأطباق الأخرى، استخدم مجموعة حديد الزهر ومقالي أوني أو غيرها من ملحقات الطهي المعتمدة.
- تم تزويد الفرن بشعلتين مستقلتين، مما يتيح لك استخدام جانب واحد فقط من الفرن، أو كلا الجانبين بدرجات حرارة متفاوتة لاستيعاب أنماط البييتزا المختلفة.

لا تقم أبدًا بالاقتراب من تجويف الفرن لإزالة بقايا الطعام التي سقطت على حجر البييتزا. بل اتركها حتى تحترق، ثم أخرجها حين يبرد. راجع إجراءات تنظيف حجر البييتزا في جزء الصيانة بالدليل للحصول على نصائح إضافية.

نوصي بشدة باستخدام مقياس الحرارة الرقمي بالأشعة تحت الحمراء من أوني لقياس درجة حرارة حجر البييتزا بدقة. حيث إن حجر البييتزا الخاص بك يسخن بشكل أبطأ من الهواء داخل الفرن. (لطهي بييتزا مثالية، تحتاج إلى تحقيق التوازن بين الاثنين.) ولهذا، من المهم استخدام مقياس الحرارة الرقمي بالأشعة تحت الحمراء من أوني بالإضافة إلى موزع درجة الحرارة الرقمي لضمان أن تكون درجات حرارة حجر البييتزا والهواء داخل الفرن متقاربة.

لمعرفة كل ما تحتاج إليه حول الطهي باستخدام فرن كودا ٢ ماكس، قم بتنزيل تطبيق أوني.

5 تركيب حاجب الرياح (حسب الحاجة)



قم بمسح الرمز للحصول على فيديو التعليمات

- ارتد قفازات واقية وتأكد من أن الفرن بارد.
- افتح المفصلة باستخدام المفتاح السداسي لفك المسمار عكس اتجاه عقارب الساعة.
- قم بتوجيه الجانب الأيمن من حاجب الرياح باستخدام كلتا يديك إلى الحامل على شكل حرف U أعلى يمين فتحة الفرن.
- ضع الجانب الأيسر من حاجب الرياح في التجويف الموجود على المفصلة اليسرى.
- ضع إبهامك الأيسر أسفل المفصلة وادفعها برفق لأعلى حتى تستقر بشكل مسطح على جسم الفرن. وثبت المفصلة في هذا الوضع.
- استخدم المفتاح السداسي لإحكام ربط المسمار في اتجاه عقارب الساعة وقفل المفصلة.
- تأكد من تثبيت المفصلة في مكانها.

5.1 إزالة حاجب الرياح

لإجراء تنظيف بشكل عميق أو طهي المكونات الكبيرة في الفرن، اتبع هذه الخطوات لإزالة حاجب الرياح:

- ارتد قفازات واقية وتأكد من أن الفرن بارد.
- ضع إبهامك الأيسر فوق المسمار لدعم المفصلة.
- افتح المفصلة باستخدام المفتاح السداسي لفك المسمار عكس اتجاه عقارب الساعة.
- اخفض المفصلة برفق باستخدام إبهامك الأيسر، مما يتيح خفض الحاجب.
- استخدم كلتا يديك لرفع الجانب الأيسر من حاجب الرياح بعناية واسحبه للأمام لتحرير الحاجب من الحامل الأيمن.
- لإغلاق المفصلة، ضع إبهامك الأيسر أسفلها وادفعها برفق لأعلى حتى تستقر بشكل مسطح على جسم الفرن. ثبت المفصلة في موضعها وقم بتدوير المسمار في اتجاه عقارب الساعة للقفل.
- تأكد من تثبيت المفصلة في مكانها.

6 تعليمات العناية والصيانة

⚠ تحذير

- لا تحاول تنظيف الفرن أو صيانتها عندما تكون ساخنة أو أثناء الاستخدام.
- احرص دائمًا على ارتداء القفازات عند تنظيف الفرن.
- لا تستخدم المنظفات الكاشطة أو فرش التنظيف في أي جزء من الفرن.
- لا تستخدم المنظفات الكيميائية على الأسطح المطلية.
- توخ الحذر عند تنظيف الفرن من الداخل لوجود حواف حادة.
- قم دائمًا بتغطية الفرن عند تخزينها في الأماكن الخارجية.

6.1 التنظيف من الداخل

- أغلق الفرن بعد كل استخدام واتركها تبرد تمامًا قبل مسح الأسطح الداخلية وأنابيب الموقد باستخدام مناشف ورقية جافة.
- إذا كان الحاجب الزجاجي متسخًا، يمكنك تنظيفه بعناية باستخدام قطعة قماش مبللة أو منشفة ورقية جافة. في حالة وجود بقع صعبة، قم بإزالة الحاجب وفقًا لتعليمات المرفقة (الخطوة ٥).

6.2 التنظيف من الخارج

- يمكنك مسح الغلاف الخارجي لفرن كودا ٢ ماكس بالماء الدافئ والصابون وتجفيفه على الفور. وتجنب استخدام منتجات التنظيف الكاشطة أو تلك التي تحتوي على مواد كيميائية قوية.
- جفف الأجزاء على الفور وقم بتغطيتها بغطاء كودا ٢ ماكس.

6.3 تنظيف أحجار البييتزا

- لا تستخدم** المنظفات الكيميائية أو الصابون على أحجار البييتزا. **ولا تعرّض** أحجار البييتزا للتنظيف بالماء. لا يتطلب الأمر غسل أحجار البييتزا، فمن الطبيعي أن يتغير مظهرها بمرور الوقت.
- قم بتشغيل الفرن بكامل طاقته لمدة ٤٥ دقيقة دون استخدامه في الطهي. حيث يتم تنظيف حجر البييتزا ذاتيًا في درجات حرارة عالية، وستتحول أي بقايا طعام أو حطام إلى رماد.
- اترك الفرن يبرد تمامًا، ثم نظف الرماد بفرشاة فرن بييتزا أوني.
- ملاحظه: أحجار بييتزا الفرن متماثلة وذات وجهين، لذا يمكنك قلبها بين الاستخدامات (بمجرد أن تبرد) وحرق أي بقع صعبة من الأسفل في المرة التالية التي تطبخ فيها.

6.4 استبدال بطارية الإشعال

- المساحة المخصصة لبطارية الإشعال توجد داخل الساق الخلفية.
 - قم بفك الغطاء عكس اتجاه عقارب الساعة لإزالة البطارية القديمة واستبدالها بأخرى جديدة، مع الانتباه إلى اتجاهات الأقطاب +/-.
 - أعد تثبيت الغطاء بالمسامير مرة أخرى في اتجاه عقارب الساعة.
 - تخلص من البطارية القديمة بصورة آمنة.
- i** إذا كنت تخزن الفرن لأكثر من شهر، فقم بإزالة البطارية.

قم بتمديد ضمانك من عام واحد إلى ٥ أعوام* مجانًا عند تسجيل منتجك على ooni.com/warranty خلال ٦٠ يومًا من تاريخ الشراء.*

تطبق الشروط والأحكام*

Model: UU-P2B800 Ooni Koda 2 Max	I3+ (28-30/37)	I3B/P(30)	
Ooni Limited, Unit 5, Ooni Park, 189 West Main Street, Broxburn, EH52 5LH, UK	Butane	Propane	Butane, propane or their mixture
	28-30 mbar	37 mbar	28-30 mbar
Read the instructions before using this appliance. Use outdoors only. WARNING: Accessible parts may be very hot, keep young children away. Pizza oven PIN: 2575DP40644	11kw (801 g/h)	11kw (801 g/h)	
	Injector size/Marking: 1.2mm x 2 / 1.20		
	A (outdoors use only)		
	CY, GR, ES, TR	BG, CZ, DK, EE, GR, ES, FI, HR, HU, IL, IS, IT, LT, LV, NL, NO, PL, PT, RO, SA, SE, SI, SK, TR	
	CE 2575-24		

العلل	السبب المحتمل	الحل
الفرن لا يشتعل	<ol style="list-style-type: none"> التركيب غير صحيح. تدفق الغاز غير كاف. المنظم مثبت بشكل غير صحيح. الفرن لا يصدر شرارة الاشتعال. توجد شرارة أو نقرة مسمومة، لكن الغاز لا يشتعل. 	<ol style="list-style-type: none"> تأكد من تركيب الفرن وفق الخطوة ١. تأكد من أن أسطوانة الغاز ممتلئة وفي وضع رأسي؛ فقد تؤثر الأسطوانة الفارغة أو شبه الفارغة على الأداء. وتحقق من وجود أي التواءات في خرطوم الغاز. تأكد من توصيل المنظم بشكل صحيح بأسطوانة الغاز. تأكد من وجود بطارية الإشعال وإدخالها بشكل صحيح وشحنها (الخطوة ١,٢). وتأكد من إدخال كبل الشرارة بشكل صحيح (الخطوة ١,١). يرجى الاتصال بخدمة الدعم التابعة لأوني. ويمكنك أيضًا الإشعال بعود ثقاب وحامل أعواد الثقاب (الخطوة ٤,٢) إذا لزم الأمر.
تشتعل مواقد الفرن، لكنها لا تستمر في ذلك.	<ol style="list-style-type: none"> جهاز مراقبة اللهب (FSD) غير مُفعل. المزدوج الحراري لجهاز مراقبة اللهب غير نظيف. المزدوج الحراري لجهاز مراقبة اللهب تالف. 	<ol style="list-style-type: none"> اتبع خطوات الإشعال بدقة (الخطوة ٤). وتأكد من الضغط على قرص التحكم مع الاستمرار لمدة ٥ ثوان على الأقل بعد الإشعال من أجل تعشيق جهاز مراقبة اللهب. قم بإيقاف تشغيل مصدر الغاز وانتظر حتى يبرد الفرن، ثم قم بتنظيف المزدوج الحراري لجهاز مراقبة اللهب برفق بقطعة قماش مبللة واتركه حتى يجف تمامًا قبل إعادة الإشعال. (قد تحتاج إلى إزالة حاجب الرياح لتسهيل الوصول إليه). إذا لم تؤد الخطوتان ١ و ٢ إلى حل العطل، فاتصل بخدمة الدعم التابعة لأوني.
الفرن لا يسخن بدرجة كافية.	<ol style="list-style-type: none"> تدفق الغاز غير كاف. أسطوانة الغاز/ ضغط المنظم. تركيب الفرن وموقعه. الأحوال الجوية. موقد الغاز يعتمد على الإشعال الخلفي (عادة ما يكون مصحوبًا بصوت هدير). تم إزالة حاجب الرياح. 	<ol style="list-style-type: none"> تأكد من أن أسطوانة الغاز ممتلئة وفي وضع رأسي، فقد تؤثر الأسطوانة الفارغة أو شبه الفارغة على الأداء. وتحقق من وجود أي التواءات في خرطوم الغاز. حدد أسطوانة الغاز المناسبة (الخطوة ٣) وضغط المنظم (حسب لوحة التصنيف). راجع إرشادات التركيب (الخطوة ١). واستخدم الفرن في منطقة محمية من الرياح، أو على الأقل ضعه بحيث لا تكون فتحة الفرن في اتجاه الرياح. يتأثر وقت التسخين ودرجة الحرارة القصوى بالموقع والظروف الجوية. لذا، اضبط وقت التسخين المتوقع لمراعاة الظروف المحيطة المختلفة. وإذا تعرض الفرن للرطوبة أو البرودة، فقد يستغرق تسخينه وقتًا أطول. وعليك تخزينه تحت غطاء مقاوم للماء وإحضار أحجار البيتزا إلى الأماكن الداخلية عند مرور فترات طويلة دون استخدام. اتبع الخطوات لإيقاف تشغيل موقد الغاز، وانتظر مرور ٥ دقائق، ثم أعد إشعال الفرن (الخطوة ٤,١). يتأثر وقت التسخين ودرجة الحرارة القصوى عند الطهي دون استخدام حاجب الرياح. لذا، أعد تركيبه لضمان إمكانية الوصول إلى درجات الحرارة المطلوبة.
تراكم لهب/ سخام أسود بشكل مبالغ فيه على الجزء الداخلي للفرن وحاجب الرياح.	<ol style="list-style-type: none"> احتراق بقايا الطعام. تركيب أسطوانة غاز أو منظم غير متوافق أو بشكل غير صحيح. منافذ غاز مسدودة 	<ol style="list-style-type: none"> ارجع إلى تطبيق أوني للحصول على إرشادات الطهي. وتجنب استخدام الكثير من الدقيق في طهي البيتزا، ثم قم بإزالة أي بقايا طعام تسقط على حجر البيتزا. واستخدم فرشاة تنظيف فرن البيتزا من أوني لتنظيف حجر البيتزا بعد الاستخدام. تأكد من تجميع الفرن بشكل صحيح و استخدام أسطوانة الغاز الصحيحة (الخطوة ٣) والمنظم (حسب لوحة التصنيف). اتصل بخدمة الدعم التابعة لأوني.
مشكلات الطهي		<p>قم بالمسح الضوئي لتنزيل تطبيق أوني للحصول على نصائح البيتزا والوصفات واستكشاف الأعطال وإصلاحها.</p> <p>يمكنك أيضًا الاتصال بخدمة الدعم التابعة لأوني عبر الموقع support.ooni.com</p> 

support.ooni.com إذا استمرت المشكلة، يرجى الاتصال بخدمة الدعم التابعة لأوني عبر الموقع

Това ръководство съдържа важна информация, която е от съществено значение за безопасната работа на Вашата фурна. Прочетете го изцяло, преди да сглобите, монтирате, използвате или обслужвате Вашата фурна Ooni Koda 2 Max.

Неспазването на тези инструкции може да доведе до имуществени щети, пожар, сериозни наранявания или дори смърт.

Запазете това ръководство за бъдещи справки.

▲ ПРЕДУПРЕЖДЕНИЕ

Прочетете инструкциите, преди да използвате уреда, и ги запазете за бъдеща справка.

Използвайте само на открито.

Достъпните части може да бъдат много горещи. Дръжте малките деца настрана.

Този уред трябва да се съхранява далеч от запалими материали по време на употреба.

Не местете уреда по време на употреба.

Изключете подаването на газ от газовата бутилка след употреба.

Внимавайте, когато поставяте или сменят газовата бутилка, и стойте далеч от всякакъв източник на запалване, когато правите това.

Не правете промени по уреда.

Този уред става изключително горещ по време на употреба.

Оставете фурната да се охлади напълно, преди да я покриете или преместите.

Работете само с помощта на въртящите се копчета; никога не докосвайте външните метални повърхности, камък за пица или стъкло, докато фурната е включена.

Когато я поставяте, се уверете, че отворът на фурната е с гръб към вятъра. Поставете фурната на разстояние най-малко един метър от всякакви конструкции или горим материал. Не използвайте при бурно време или обилен сняг.

Завъртете двете въртящи се копчета в положение OFF (ИЗКЛ.), преди да свържете газовата бутилка.

Свързвайте само видовете газ, посочени на табелката с технически данни.

Използвайте само с бутилки под 13 kg, с максимален диаметър 315 mm и максимална височина 580 mm.

Маркучът за газ трябва да бъде сертифициран по EN16436 с максимална дължина 1,5 m.

Ако в някакъв момент усетите миризма на газ, затворете газовата бутилка или регулиращия вентил, завъртете въртящите се копчета на фурната в положение OFF (ИЗКЛ.) и изгасете всички открити пламъци.

Не носете широки дрехи, когато работите или стоите близо до фурната.

Никога не съхранявайте резервни газови бутилки под или близо до фурната.

Никога не проверявайте за течове с открит пламък и не се опитвайте да палите горелките по време на тестване.

Стойте настрана, когато ги палите. Никога не гледайте директно към отвора на фурната или пламъка.

Никога не използвайте химически почистващи препарати или сапуни върху повърхността на камъните за пица.

Никога не изливайте вода върху камъка за пица, тъй като това може да доведе до напукване.

Носете термозащитни ръкавици, когато използвате фурната и когато боравите с особено горещ уред за готвене.

Никога не се опитвайте да почиствате или поддържате фурната, докато е гореща или се използва.

Не използвайте абразивни почистващи препарати или гъби, за да почистите която и да е част от фурната.

Използвайте само одобрени от Ooni или официални аксесоари и резервни части. Неспазването на това изискване може да причини нараняване или повреда на Вашата фурна или имущество.

Ако фурната работи необичайно, изключете я и се свържете с поддръжката на Ooni.

Сменете маркуча за газ, ако е повреден или когато местните условия го изискват.

Запечатаните системи на уреда не трябва да бъдат манипулирани.

Внимавайте, когато използвате или почиствате фурната, защото може да има остри ръбове.

Първи стъпки

0 Съдържание на кутията:

а	Фурна Ooni Koda 2 Max	и	Цифров температурен хъб
б	Камък за пица (x2)	й	Монтажна скоба
в	Преден крак (x2)	к	Крилчата гайка
г	Заден крак	л	Кабел за температура на околната среда (x2)
д	AA батерия за запалване	м	Сонда за храна (x2)
е	Шестограмен ключ	н	AA батерии (x2)
ж	M5 винтове (x10)	о	Винтове за скоби
з	Държач за кибритени клечки		
	Инструкции за сглобяване на Koda 2 Max		Инструкции за сглобяване на цифровия температурен хъб

❗ ВНИМАНИЕ: Вашата фурна е много тежка и за повдигане, сглобяване и позициониране са необходими двама души.

НЕ вдигайте фурната с поставени на място камъни за пица.

ВИНАГИ дръжте фурната от долната страна на основата, **НИКОГА** от вътрешната страна на горния външен корпус.

1 Поставяне и сглобяване

- Изберете подходяща позиция и повърхност за поставяне.
 - Голямата модулна маса Ooni или друга здрава метална или дървена повърхност са идеални за опора на фурната. Не поставяйте фурната върху пластмасови или стъклени маси. Винаги се уверявайте, че масата може да издържи теглото на фурната.
 - Повърхността трябва да позволява отворът на фурната да е с гръб към вятъра и трябва да бъде на един метър от всякакви конструкции или запалим материал.
 - Препоръчваме фурната да се позиционира така, че камъкът за пица да е на височина 1,1 m от земята.
- Вдигнете капака на кутията и поставете капака обърнат обратно наблизо.
- Вдигнете централната външна част на кутията нагоре и настрана, за да позволите на опаковката, предпазваща страните на фурната, да се отвори.
- С помощта на друг човек внимателно вдигнете фурната и я поставете обърната обратно върху капака на кутията, за да предпазите горната част. Уверете се, че всички опаковъчни материали са извадени от фурната.
- Повдигнете картонения разделител вътре в кутията, за да се открият краката на фурната, цифровият температурен хъб, камъните за пица и други части за сглобяване.

1.1 Прикрепване на краката

- Прикрепете задния крак към основата с винтове 4x M5 с помощта на включената отвертка.
- Включете кабела на запалителната батерия в гнездото в основата на фурната до крака.
- Прикрепете двата предни крака с по 3 броя M5 винтове.

1.2 Поставяне на запалителната батерия

- i** Отделението за запалителната батерия се намира вътре в задния крак.
- Развийте капачката обратно на часовниковата стрелка и поставете предоставената AA батерия, като обърнете внимание на посоките +/-.
 - Завийте капачката обратно по посока на часовниковата стрелка.

1.3



Следвайте инструкциите за сглобяване на цифровия температурен хъб, за да го монтирате.

1.4 Поставяне на камъните за пица

- ❗** Камъните за пица са тежки; внимавайте да не затиснете пръстите си.
- Ако фурната Ви е обърната обратно: С помощта на друг човек внимателно завъртете фурната изправена и след това я поставете на предвиденото място.
 - С две ръце внимателно повдигнете първия камък за пица и го позиционирайте така, че заобленият ъгъл да е обърнат към задния ъгъл на фурната. Плъзнете камъка за пица на място, като внимавате да не надраскате ръба за пица.
 - С две ръце вземете втория камък за пица и повторете процеса от другата страна.
 - За да извадите един от камъните за пица, с една ръка бутайте нагоре през отвора в основата на фурната, докато предната част на камъка за пица се вдигне достатъчно високо, за да го хванете и плъзнете навън с другата ръка. **Никога не** се опитвайте да изваждате камъните за пица, докато са горещи.

2 Монтаж на маркуча за газ (ако е необходимо)

i Вашата фурна е снабдена с маркуч за газ и регулатор, които са най-подходящи за газоснабдяването във Вашия регион на покупка. Ако имате друга газова бутилка, се свържете с поддръжката на Ooni.

- Натиснете маркуча върху шипа.
- Плъзнете затегателната скоба върху маркуча.
- Затегнете скобата с подходяща отвертка.

3 Свързване към газ

! Завъртете двете въртящи се копчета в положение OFF (ИЗКЛ.), преди да свържете газовата бутилка.

▲ ПРЕДУПРЕЖДЕНИЕ

Използвайте само с бутилки под 13 kg, с максимален диаметър 315 mm и максимална височина 580 mm.

Внимавайте, когато свързвате или сменяте газовата бутилка, и стойте далеч от всякакви източници на запалване, когато правите това.

Уредът и газовата бутилка трябва да са на разстояние минимум 635 mm помежду си.

Свързвайте само видовете газ, посочени на табелката с технически данни.

Вътрешен газов регулатор

Това е фитинг за газ с натискане. Уверете се, че черният превключвател е в хоризонтално положение, след което натиснете бутона, разположен под черния превключвател. Натиснете регулатора върху вентила на газовата бутилка, докато се заключи на място.

POI газов регулатор

Това е фитинг за газ с резба обратно на часовниковата стрелка. Уверете се, че вентилът на газовата бутилка е напълно изключен, след това завийте регулатора върху вентила на газовата бутилка, докато се затегне.

3.1 Свързване на газовата бутилка

- Вентилът на газовата бутилка трябва да е в положение OFF (ИЗКЛ.).
- Уверете се, че въртящите се копчета на фурната също са в положение OFF (ИЗКЛ.).
- Проверете връзките на вентила, порта и модула на регулатора. Отстранете всички отпадъци и проверете маркуча за повреди.
- Свържете модула на регулатора към вентила, като натиснете регулатора върху вентила чрез завъртане на ръчната гайка обратно на часовниковата стрелка.
- Отворете напълно вентила на бутилката, като завъртите черния превключвател на регулатора обратно на часовниковата стрелка.

3.2 Тестване за течове

- С помощта на спрей детектор за течове или разтвор на веро и вода проверявайте за изтичане на газ всеки път, когато свържете отново фитинг или смените газовата бутилка.
 - Използвайте четка или спрей бутилка, за да нанесете разтвора върху връзките и регулатора. Проверете маркуча за газ и нанесете разтвора върху всички пукнатини, които откриете.
 - Ако има теч, разтворът ще прави балончета. Ако забележите теч във фитинга на маркуча, затегнете фитинга и проверете отново за течове. Ако течът продължава или има теч през пукнатина в маркуча, **не** използвайте фурната. Свържете се с поддръжката на Ooni за помощ.
 - Ако откриете теч, **не** използвайте фурната; извадете газовата бутилка. Ако течът е открит във фурната или маркуча, се свържете с поддръжката на Ooni. Ако течът е открит във вентила на газовата бутилка, се свържете с Вашия доставчик на газ.
- ! Резервните регулатори трябва да бъдат сертифицирани по EN16129, а маркучите по EN16436 с максимална дължина от 1,5 m.

3.3 Разкачване на газовата бутилка

- Завъртете въртящите се копчета на газовата горелка в положение OFF (ИЗКЛ.).
- Завъртете черния превключвател на регулатора по посока на часовниковата стрелка.
- Натиснете бутона на регулатора, за да го освободите от горната част на газовата бутилка.
- Поставете капачката за прах върху открития вентил на газовата бутилка, когато не се използва.

▲ ПРЕДУПРЕЖДЕНИЕ

Ако в някакъв момент усетите миризма на газ, затворете газовата бутилка или регулиращия вентил, завъртете въртящите се копчета на фурната в положение OFF (ИЗКЛ.) и изгасете всички

открити пламъци.

Никога не проверявайте за течове с открит пламък и не се опитвайте да палите горелките по време на тестване.

4 Запалване на Koda 2 Max**▲ ПРЕДУПРЕЖДЕНИЕ**

Стойте настрана, когато ги палите. Никога не гледайте директно към отвора на фурната или пламъка.



Ако някоя от горелките не успее да се запали, както се очаква, вижте ръководството за отстраняване на неизправности. Изключете газта и изчакайте 5 минути, преди да се опитате да запалите

отново. Работете само с помощта на въртящите се копчета; никога не докосвайте външните метални повърхности, камък за пица или стъкло, докато фурната е включена.

Носете термозащитни ръкавици, когато използвате фурната и когато боравите с особено горещ уред за готвене.

4.1 Запалване

- С лявото въртящо се копче се управлява лявата горелка; с дясното въртящо се копче се управлява дясната горелка.
 - Натиснете и задръжте едно от двете въртящи се копчета, докато бавно въртите обратно на часовниковата стрелка, за да се получи искра и да запалите газта. След като се запали, задръжте за 5 секунди, за да поддържате пламъка.
 - Проверете дали газът се е запалил.
 - Ако да, преминете към 4.3.
 - Ако горелката не се запали, превключете в положение OFF (ИЗКЛ.), изчакайте 5 минути, след което опитайте отново.
 - Ако горелката не се запали след втория опит, преминете в положение OFF (ИЗКЛ.), изчакайте 5 минути, след което следвайте стъпка 4.2.
 - Ако запалването е правилно, пламъците трябва да изглеждат като на илюстрацията.
 - Ако едната или и двете горелки изгаснат неволно, вижте раздела за отстраняване на неизправности.

4.2 Запалване на фурната с държача за кибритени клечки

- Никога не гледайте директно към фурната при палене; винаги стойте настрана и носете ръкавици през цялото време.
- Ако горелките не се запалят след няколко опита с помощта на въртящите се копчета, можете да ги запалите с кибрит. Предоставеният държач за кибритени клечки е прикрепен към основата от противоположната страна на панела за управление.
 - Ако вече сте се опитали да запалите горелките с помощта на въртящите се копчета, превключете в положение OFF (ИЗКЛ.) и изчакайте 5 минути, за да се разсее газът.
 - Поставете кибрит в държача за кибритени клечки, запалете кибрита и го допрете до една от горелките през отвора на фурната.
 - Натиснете въртящото се копче, което съответства на горелката, и бавно го завъртете на максимум. Горелката трябва да се запали незабавно.
 - Продължете да натискате въртящото се копче за 5 секунди след запалването, след което освободете.
 - Ако горелката не светне в рамките на секунди, завъртете въртящото се копче в положение OFF (ИЗКЛ.), изчакайте 5 минути и опитайте отново.

4.3 Използване на газовите горелки

- Завъртете въртящото се копче, за да регулирате съответния пламък и температура, ако е необходимо.
 - Газовата горелка е изключена.
 - Газовата горелка е настроена на **максимален** пламък.
 - Газовата горелка е настроена на **минимален** пламък.
- Повторете процеса (като започнете от 4.1), за да запалите втората горелка.
- За да изключите, натиснете **въртящото се копче** и го завъртете по посока на часовниковата стрелка, докато спре и съответният пламък изгасне.

4.4 Изсушаване на фурната

- Трябва да изсушите фурната, преди да готвите в нея за първи път.
- Винаги носете ръкавици, когато поставяте ръката си във фурната.
 - За да направите това, пуснете фурната на максимална температура за 30 минути.
 - Изключете фурната и я оставете да се охлади напълно, след което избършете вътрешността със сухи хартиени кърпи.

4.5 Изключване на фурната

- За да изключите след изсушаване или готвене, натиснете въртящото се копче и го завъртете по посока на часовниковата стрелка, докато и спре и съответният пламък изгасне. Повторете и за двете горелки.
- Изключете подаването на газ и разкачете регулатора.

4.6 Готвене във фурната

- Включете двете горелки на пълна мощност, за да загреете предварително фурната и камъните за пица за поне 30 минути.
 - Гответе само пица и други сухи хлебни ястия директно върху камъка за пица. За да готвите месо, зеленчуци или други ястия, използвайте серията Ooni Cast Iron и Ooni Pans или други одобрени от Ooni аксесоари за готвене.
 - Фурната е оборудвана с две независими горелки, които Ви позволяват да готвите само от едната страна на фурната, от двете страни при една и съща температура или от двете страни при различни температури за приспособяване за различни стилове пица.
- !** Никога не бъркайте с ръка във фурната, за да изчистите остатъците от храна, които са паднали върху камъка за пица. Оставете ги да изгорят, след това ги извадете, когато фурната се охлади. Вижте процедурата за почистване на камъните за пица в раздела за поддръжка на това ръководство за допълнителни съвети.
- i** Силно препоръчваме използването на цифров инфрачервен термометър Ooni за точно измерване на температурата на камъка за пица. Вашият камък за пица ще се нагрива по-бавно от въздуха във фурната. (За да пригответе хубава пица, двете трябва да са балансирани.) Ето защо е важно да използвате цифров инфрачервен термометър Ooni, както и цифровия температурен хъб, за да сте сигурни, че температурата на Вашия камък за пица и на въздуха са в близък диапазон.
- i** За всичко, което трябва да знаете за готвенето с Koda 2 Max, изтеглете приложението Ooni.

5 Монтиране на козирката (ако е необходимо)



Сканирайте за видео инструкции

- !** Носете защитни ръкавици и се уверете, че фурната Ви е охладена.
- Отворете пантата, като използвате шестограмния ключ, за да разхлабите винта обратно на часовниковата стрелка.
 - С две ръце направлявайте дясната страна на козирката в П-образната скоба в горния десен ъгъл на отвора на фурната.
 - Поставете лявата страна на козирката във вдлъбнатината на лявата панта.
 - Поставете левия си палец под пантата и леко я натиснете нагоре, докато легне хоризонтално към тялото на фурната. Задръжте пантата в това положение.
 - Използвайте шестограмния ключ, за да затегнете винта по посока на часовниковата стрелка за заключване на пантата.
 - Уверете се, че пантата е заключена на място.

5.1 Сваляне на козирката

За дълбоко почистване или готвене на по-големи продукти във фурната, следвайте тези стъпки, за да свалите козирката:

- !** Носете защитни ръкавици и се уверете, че фурната Ви е охладена.
- Поставете левия си палец над винта, за да поддържате пантата.
 - Използвайте шестограмния ключ, за да разхлабите винта обратно на часовниковата стрелка за отключване на пантата.
 - Внимателно спуснете пантата с левия си палец, което ще позволи на козирката да се спусне.
 - С две ръце повдигнете внимателно лявата страна на козирката и издърпайте напред, за да освободите козирката от дясната скоба.
 - За да затворите пантата, поставете левия си палец под нея и леко я натиснете нагоре, докато легне хоризонтално към тялото на фурната. Задръжте пантата в това положение и завъртете винта по посока на часовниковата стрелка, за да се заключи. Уверете се, че пантата е заключена на място.

6 Инструкции за грижа и поддръжка

▲ ПРЕДУПРЕЖДЕНИЕ

Никога не се опитвайте да почиствате или поддържате фурната, докато е гореща или се използва.

Винаги носете ръкавици, когато почиствате фурната.

Не използвайте абразивни почистващи препарати или гъби, за да почистите която и да е част от фурната.

Не използвайте химически почистващи препарати върху боядисаните повърхности.

Внимавайте, когато почиствате фурната отвътре, защото може да има остри ръбове.

Винаги покривайте фурната, когато я съхранявате на открито.

6.1 Почистване отвътре

- След всяка употреба изключете фурната и я оставете да се охлади напълно, преди да избършете вътрешните повърхности и тръбите на горелката със сухи хартиени кърпи.
- Ако стъклената козирка е мръсна, можете да я почистите внимателно с помощта на влажна кърпа или суха хартиена кърпа. За упорити петна свалете козирката според включените инструкции (стъпка 5.1).

6.2 Почистване отвън

- Външният корпус на Koda 2 Max може да се избърше с топла, сапунена вода и да се изсуши веднага. Избягвайте абразивни почистващи продукти или такива с разяждащи химикали.
- Изсушете веднага и покрийте с капака Koda 2 Max.

6.3 Почистване на камъните за пица

- !** Никога не използвайте химически почистващи препарати или сапуни върху камъните за пица. Никога не излагайте камъните за пица на въздействието на вода.

Камъните за пица няма нужда да се мият; напълно нормално е външният им вид да се промени с времето.

- Включете фурната на пълна мощност за 45 минути, без да готвите в нея. Камъкът за пица се самопочиства при високи температури и всички остатъци от храна или отпадъци ще се превърнат в пепел.
- Оставете фурната да се охлади напълно, след което изчеткайте пепелта с четка за фурна за пица Ooni. Забележка: Вашите камъни за пица във фурната са симетрични и двустранни, така че можете да ги обръщате между употребите (след като се охладят) и да изгорите всички упорити остатъци отдолу следващия път, когато готвите.


6.4 Смяна на запалителната батерия


- Отделението за запалителната батерия се намира вътре в задния крак.
 - Развийте капачката обратно на часовниковата стрелка, за да извадите старата батерия и да я сменете с нова, като обърнете внимание на посоките +/-.
 - Завийте капачката обратно по посока на часовниковата стрелка.
 - Безопасно изхвърлете старата батерия.
- i** Ако прибирате фурната за съхранение повече от месец, извадете батерията.

Удължете 1-годишната си гаранция до 5 години* безплатно, като регистрирате продукта си на адрес [ooni.com/warranty](https://www.ooni.com/warranty) в рамките на 60 дни от покупката.*

*Важат Общите условия

Отстраняване на неизправности

Проблем	Възможна причина	Решение
Фурната ми не се пали	<ol style="list-style-type: none"> Неправилно поставяне. Недостатъчен газов поток. Регулаторът е прикрепен неправилно. Няма искра от запалване. Има искра или се чува щракване, но газът не се запалва. 	<ol style="list-style-type: none"> Уверете се, че фурната е поставена според стъпка 1. Уверете се, че газовата бутилка съдържа гориво и е в изправено положение; празна или почти празна бутилка може да повлияе на работата. Проверете за всякакви прегъвания в маркуча за газ. Уверете се, че регулаторът е правилно прикрепен към газовата бутилка. Проверете дали запалителната батерия е налице, поставена е правилно и има заряд (стъпка 1.2). Уверете се, че кабелът на източника на искри е поставен правилно (стъпка 1.1). Свържете се с отдела за поддръжка на клиенти на Ooni. Можете също така да запалите с кибрит и държача за кибритени клечки (стъпка 4.2), ако е необходимо.
Горелките на фурната ми се палят, но не остават запалени.	<ol style="list-style-type: none"> Устройството за наблюдение на пламъка (FSD) не е включено. Термодвойката на FSD е мръсна. Термодвойката на FSD е повредена. 	<ol style="list-style-type: none"> Следвайте внимателно стъпките за запалване (стъпка 4). Уверете се, че сте натиснали и задържали въртящото се копче за най-малко 5 секунди след запалването, за да включите устройството за наблюдение на пламъка (FSD). Изключете подаването на газ, изчакайте фурната да се охлади, внимателно почистете термодвойката на FSD с влажна кърпа и я оставете да изсъхне напълно, преди да я запалите отново. (Може да се наложи да свалите козирката за по-лесен достъп.) Ако стъпки 1 и 2 не решат проблема, се свържете с отдела за поддръжка на клиенти на Ooni.
Фурната ми не се нагрява достатъчно.	<ol style="list-style-type: none"> Недостатъчен газов поток. Налягане на газовата бутилка/регулатора. Поставяне и позициониране на фурната. Метеорологични условия. Газовата горелка се осветява отзад (обикновено придружено от бучене). Козирката е свалена. 	<ol style="list-style-type: none"> Уверете се, че газовата бутилка съдържа гориво и е в изправено положение; празна или почти празна бутилка може да повлияе на работата. Проверете за всякакви прегъвания в маркуча за газ. Изберете подходяща газова бутилка (стъпка 3) и налягане на регулатора (според табелката с технически данни). Вижте инструкциите за поставяне (стъпка 1). Използвайте фурната на място, защитено от вятър, или поне я поставете така, че отворът да е с гръб към вятъра. Времето за предварително загряване и максималната температура могат да бъдат повлияни от местоположението и метеорологичните условия. Регулирайте очакваното време за предварително загряване според различните условия на околната среда. Ако фурната Ви е била изложена на влага или студ, може да отнеме повече време за предварително загряване. Съхранявайте под водоустойчиво покритие и прибирайте камъните за пица на закрито, ако дълго време не ги ползвате. Следвайте стъпките, за да изключите газовата горелка, изчакайте 5 минути, след което запалете отново фурната (стъпка 4.1). Времето за предварително загряване и максималната температура могат да бъдат повлияни при готвене без козирката. Поставете я отново, за да сте сигурни, че температурите могат да бъдат достигнати.
Прекалено черен пламък/черни сажди по вътрешността на фурната и козирката.	<ol style="list-style-type: none"> Изгаряне на хранителни отпадъци. Неправилно поставяне или несъвместима газова бутилка или регулатор. Блокиран газ вентури. 	<ol style="list-style-type: none"> Вижте приложението Ooni за насоки за готвене. Избягвайте да използвате твърде много брашно за овалване на пицата и премахнете всички остатъци от храна, които попадат върху камъка за пица. Използвайте четка за фурна за пица Ooni, за да почистите камъка за пица между готвенията. Уверете се, че фурната Ви е сглобена правилно и че използвате правилната газова бутилка (стъпка 3) и регулатор (според табелката с технически данни). Свържете се с отдела за поддръжка на клиенти на Ooni.
Проблеми при готвене		 <p>Сканирайте, за да изтеглите приложението Ooni за съвети за пица, рецепти и отстраняване на неизправности.</p> <p>Можете също така да се свържете с нашата поддръжка на клиенти на Ooni на адрес support.ooni.com</p>

Model: UU-P2B800 Ooni Koda 2 Max	I3+ (28-30/37)	I3B/P(30)	
Ooni Limited, Unit 5, Ooni Park, 189 West Main Street, Broxburn, EH52 5LH, UK	Butane	Propane	Butane, propane or their mixture
	28-30 mbar	37 mbar	28-30 mbar
Read the instructions before using this appliance. Use outdoors only. WARNING: Accessible parts may be very hot, keep young children away.	11kw (801 g/h)	11kw (801 g/h)	
	Injector size/Marking: 1.2mm x 2 / 1.20		
	A (outdoors use only)		
	CY, GR, ES, TR	BG, CZ, DK, EE, GR, ES, FI, HR, HU, IL, IS, IT, LT, LV, NL, NO, PL, PT, RO, SA, SE, SI, SK, TR	
Pizza oven PIN: 2575DP40644	 2575-24		

Tento návod obsahuje důležité informace, které jsou nezbytné pro bezpečný provoz pece. Před montáží, instalací, používáním nebo údržbou pece Ooni Koda 2 Max si přečtete celý tento návod. Nedodržení těchto pokynů může mít za následek vznik majetkových škod, požár, vážné zranění osob nebo dokonce smrt.

Tento návod si uschovejte, abyste do něj mohli v budoucnu nahlédnout.

VAROVÁNÍ

Před použitím spotřebiče si přečtete návod k použití a uschovejte si jej, abyste do něj mohli v budoucnu nahlédnout.

Používejte pouze na volném prostranství.

Přístupné části mohou být velmi horké. Uchovávejte mimo dosah malých dětí.

Tento spotřebič musí být během používání umístěn mimo dosah hořlavých materiálů.

Během používání spotřebič nepřemísťujte.

Po použití vypněte přívod plynu na plynové lahvi.

Při připojování nebo výměně plynové lahve postupujte opatrně a připojte nebo vyměňte ji mimo dosah jakéhokoli zdroje vznícení.

Spotřebič nijak neupravujte.

Tento spotřebič je během používání velmi horký.

Než pec přikryjete nebo přemístíte, nechte ji zcela vychladnout.

Spotřebič ovládejte pouze otočnými ovladači. Nikdy se nedotýkejte vnějších kovových povrchů, kamene na pizzu nebo skla, když je pec zapnutá.

Při přípravě k použití dbejte na to, aby ústí pece nesměřovalo proti větru. Umístěte pec do vzdálenosti alespoň jednoho metru od jakékoli konstrukce nebo hořlavého materiálu. Nepoužívejte ji během bouřky nebo hustého sněžení.

Před připojením plynové lahve otočte oba otočné ovladače do polohy OFF.

Připojte pouze plyny uvedené na typovém štítku.

Používejte pouze s lahvemi o hmotnosti do 13 kg, s maximálním průměrem 315 mm a maximální výškou 580 mm.

Plynová hadice musí splňovat normu EN16436 a být maximálně 1,5 m dlouhá.

Pokud kdykoli ucítíte plyn, zavřete plynovou lahev nebo regulační ventil, otočte otočné ovladače na peci do polohy OFF a uhasťte všechny otevřené plameny.

Při práci s pecí nebo pohybu v její blízkosti nenoste volný oděv.

Nikdy neskladujte náhradní plynové lahve pod pecí nebo v její blízkosti.

Při testování nikdy nekontrolujte těsnost otevřeným plamenem ani se nepokoušejte zapálit hořáky.

Při zapalování se postavte stranou. Nikdy se nedívejte přímo do ústí pece ani do plamene.

Povrch kamene na pizzu nikdy nemyjte chemickými čisticími prostředky ani mýdly.

Na kámen na pizzu nikdy nelijte vodu, protože by mohl popraskat.

Při používání pece a při manipulaci s obzvláště horkou pomůckou na pečení používejte ochranné rukavice.

Nikdy se nepokoušejte o čištění nebo údržbu, pokud je pec horká nebo se používá.

Žádnou část pece nečistěte abrazivními čisticími prostředky ani drátěnkami.

Používejte pouze příslušenství a náhradní díly schválené nebo doporučené společností Ooni. V opačném případě může dojít ke zranění nebo poškození pece či majetku.

Pokud pec pracuje nestandardně, vypněte ji a kontaktujte podporu společnosti Ooni.

Vyměňte plynovou hadici, pokud je poškozená nebo pokud to vyžadují státní předpisy.

S těsněními spotřebiče se nesmí manipulovat.

Při používání nebo čištění pece postupujte opatrně, protože může mít ostré hrany.

Jak začít

Obsah balení:

- | | |
|-------------------------------------|---|
| a pec Ooni Koda 2 Max | i digitální ovladač teploty |
| b kámen na pizzu (2 ks) | j montážní konzola |
| c přední noha (2 ks) | k křídlová matice |
| d zadní noha | l kabel pro měření okolní teploty (2 ks) |
| e zapalovací baterie typu AA | m teploměr na pečení (2 ks) |
| f úhlový klíč | n baterie typu AA (2 ks) |
| g šrouby M5 (10 ks) | o šrouby ke konzole |
| h držák na zápalky | |

Návod k montáži pece Koda 2 Max

Návod k montáži digitálního ovladače teploty

UPOZORNĚNÍ: Pec je velmi těžká a k jejímu zdvihnutí, sestavení a umístění jsou třeba dvě osoby.

NEZDVIHEJTE pec, když jsou v ní kameny na pizzu.

Pec **VŽDY** držte za spodní stranu základny, **NIKDY** za vnitřní stranu horní části.

1 Umístění a montáž

- Vyberte vhodné místo a podpěru k umístění pece.
 - Ideální k umístění pece je velký modulární stůl Ooni nebo jiná robustní kovová či dřevěná podpěra. Nepokládejte pec na stoly z plastu nebo ze skla. Vždy zkontrolujte, že stůl unese hmotnost pece.
 - Je třeba, aby bylo možné podpěru otáčet, aby tak ústí pece nesměřovalo proti větru, a musí být umístěna do vzdálenosti alespoň jednoho metru od jakékoli konstrukce nebo hořlavého materiálu.
 - Doporučujeme umístit pec tak, aby se kámen na pizzu nacházel ve výšce 1,1 m od země.
- Sundejte víko z krabice a položte ho vedle dnem vzhůru.
- Zdvihněte střední část vnějšího boxu nahoru, aby se odkryl obal chránící boční strany pece.
- S pomocí další osoby pec opatrně vyjměte a položte dnem vzhůru na víko krabice, abyste ochránili její horní část. Zkontrolujte, že na peci nezůstaly žádné obaly.
- Po zdvihnutí kartonové přepážky uvnitř krabice najdete nohy pece, digitální ovladač teploty, kameny na pizzu a další díly určené k montáži.

1.1 Montáž nohou

- Připevněte zadní nohu k základně 4 šrouby M5 pomocí přiloženého šroubováku.
- Zapojte kabel zapalovací baterie do zásuvky na základně pece vedle zadní nohy.
- Připevněte obě přední nohy 3 šrouby M5.

1.2 Instalace zapalovací baterie

- i** Prostor pro zapalovací baterii se nachází uvnitř zadní nohy.
- Odšroubujte kryt proti směru hodinových ručiček a vložte dovnitř dodanou baterii typu AA, přičemž dbejte na správné umístění pólů +/-.
 - Kryt našroubujte zpět po směru hodinových ručiček.

1.3 Při instalaci postupujte podle návodu k montáži digitálního ovladače teploty.

1.4 Vložení kamenů na pizzu

- i** Kameny na pizzu jsou těžké. Dávejte pozor, abyste si neskřípli prsty.
- Když je pec vzhůru nohama: S pomocí další osoby pec opatrně otočte do správné polohy a poté ji umístěte na určené místo.
 - Oběma rukama opatrně zdvihněte první kámen na pizzu a umístěte jej tak, aby jeho zaoblený roh směřoval k zadnímu rohu pece. Kámen na pizzu zasuňte na místo a dávejte pozor, abyste nepoškrábali podpěry.
 - Oběma rukama zdvihněte druhý kámen na pizzu a zopakujte stejný postup i na druhé straně.
 - Kámen na pizzu vyjměte tak, že jednou rukou zatlačíte nahoru otvorem ve dně pece, až se přední část kamene na pizzu vyklopí dostatečně vysoko, abyste ji mohli druhou rukou uchopit a vysunout. **Nikdy** se nepokoušejte kameny na pizzu vyjmout, dokud jsou horké.

2 Instalace plynové hadice (pokud je potřeba)

- i** Pec se dodává s plynovou hadicí a regulátorem, které jsou nejvhodnější k připojení k plynu ve vaší oblasti. Pokud máte alternativní plynovou lahev, obraťte se na podporu společnosti Ooni.
- Zatlačte hadici na trn.
 - Nasuňte na hadici hadicovou sponu.
 - Utáhněte sponu vhodným šroubovákem.

3 Připojení k plynu

! Před připojením plynové lahve otočte oba otočné ovladače do polohy OFF.

VAROVÁNÍ

Používejte pouze s lahvemi o hmotnosti do 13 kg, s maximálním průměrem 315 mm a maximální výškou 580 mm.

Při připojování nebo výměně plynové lahve postupujte opatrně a připojujte nebo vyměňujte ji mimo dosah jakéhokoliv zdroje vznícení.

Spotřebič a plynová lahev od sebe musí být vzdáleny alespoň 635 mm.

Připojujte pouze plyny, které jsou uvedené na typovém štítku.

Regulátor plynu pro terasy

Jedná se o násuvný spoj. Zkontrolujte, že je černý spínač ve vodorovné poloze, a stiskněte tlačítko umístěné pod černým spínačem. Tlačte regulátor na ventil plynové lahve, dokud nezapadne na místo.

Regulátor plynu POL

Jedná se o spoj s levotočivým závitem. Zkontrolujte, že je ventil plynové lahve zcela uzavřen, a poté našroubujte regulátor na spoj ventilu plynové lahve, aby pevně držel.

3.1 Připojení plynové lahve

- Ventil plynové lahve musí být v poloze OFF.
- Zkontrolujte, že jsou v poloze OFF i oba otočné ovladače.
- Zkontrolujte ventilové přípojky, port a sestavu regulátoru. Odstraňte případné nečistoty a zkontrolujte, zda hadice není poškozená.
- Připojte sestavu regulátoru k ventilu tak, že otáčením matice proti směru hodinových ručiček nasunete regulátor na ventil.
- Úplně otevřete ventil lahve otočením černého spínače na regulátoru proti směru hodinových ručiček.

3.2 Kontrola těsnosti

- Při každém opětovném připojení spoje nebo výměně plynové lahve zkontrolujte pomocí spreje na detekci netěsností nebo roztoku vody a mýdla, zda nedochází k úniku plynu.
- Roztok naneste na přípojky a regulátor pomocí štětce nebo rozprašovače. Zkontrolujte plynovou hadici a naneste roztok na všechny nalezené praskliny.
- V případě netěsnosti bude roztok bublat. Pokud zjistíte netěsnost hadicového spoje, utáhněte jej a znovu zkontrolujte, zda netěsní. Pokud se netěsnost potvrdí nebo prasklinou v hadici uniká plyn, pec **nepoužívejte**. Kontaktujte podporu společnosti Ooni a požádejte o pomoc.
- Pokud zjistíte netěsnost, pec **nepoužívejte**. Odmontujte plynovou lahev. Pokud netěsnost zjistíte v peci nebo hadici, kontaktujte podporu společnosti Ooni. Jestliže netěsnost odhalíte ve ventilu plynové lahve, kontaktujte dodavatele plynu.

! Náhradní regulátory musí splňovat normu EN16129 a hadice normu EN16436, přičemž musí být maximálně 1,5 m dlouhá.

3.3 Odpojení plynové lahve

- Otočte otočné ovladače plynových hořáků do polohy OFF.
- Otočte černým spínačem na regulátoru po směru hodinových ručiček.
- Stisknutím tlačítka na regulátoru regulátor uvolníte od horní části plynové lahve.
- Pokud ventil plynové lahve nepoužíváte, nasadte na něj protiprachovou krytku.

VAROVÁNÍ

Pokud kdykoli ucítíte plyn, zavřete plynovou lahev nebo regulační ventil, otočte otočné ovladače na peci do polohy OFF a uhasťte všechny otevřené plameny.

Při testování nikdy nekontrolujte těsnost otevřeným plamenem ani se nepokoušejte zapálit hořáky.

4 Zapálení pece Koda 2 Max

VAROVÁNÍ

Při zapalování se postavte stranou. Nikdy se nedívejte přímo do ústí pece ani do plamene.



Pokud se některý hořák nezapálí podle očekávání, projděte si průvodce řešením problémů. Před dalším pokusem o zapálení vypněte plyn a počkejte 5 minut.

Spotřebič ovládejte pouze otočnými ovladači. Nikdy se nedotýkejte vnějších kovových povrchů, kamene na pizzu nebo skla, když je pec zapnutá.

Při používání pece a při manipulaci s obzvláště horkou pomůckou na pečení používejte ochranné rukavice.

4.1 Zažehnutí

i Levý otočný ovladač ovládá levý hořák a pravý otočný ovladač ovládá pravý hořák.

- Stlačte a přidržte stlačený jeden otočný ovladač a pomalu jím otáčejte proti směru hodinových ručiček, aby došlo k zajiskření a zapálení plynu. Po zapálení přidržte ovladač stlačený po dobu 5 sekund, aby plamen nezhasl.
- Zkontrolujte, zda se plyn zapálil.
 - Pokud ano, přejděte ke kroku 4.3.
 - Jestliže se hořák nezažehne, přepněte ovladač do polohy OFF, počkejte 5 minut a zkuste to znovu.
 - Pokud se hořák nezažehne ani po druhém pokusu, přepněte ovladač do polohy OFF, počkejte 5 minut a poté postupujte podle kroku 4.2.
- Pokud se plameny zažehnou správně, měly by vypadat jako na obrázku.
- Jestliže jeden nebo oba hořáky náhodně zhasnou, postupujte podle pokynů k řešení problémů.

4.2 Zapálení pece pomocí držáku zápalek

! Při zapalování se nikdy nedívejte přímo do pece, vždy stůjte stranou a po celou dobu používejte rukavice.

i Pokud se hořáky nezapálí ani po několika pokusech otočnými ovladači, můžete je zapálit zápalkou. Dodávaný držák zápalek je připevněn k základně na opačné straně ovládacího panelu.

- Pokud jste se již pokusili zapálit hořáky otočnými ovladači, přepněte je do polohy OFF a počkejte 5 minut, než se plyn rozptýlí.
- Vložte zápalku do držáku zápalek, zapalte ji a přiložte k jednomu hořáku přes ústí pece.
- Stiskněte otočný ovladač příslušného hořáku a pomalu jím otočte na maximum. Hořák by se měl ihned zapálit.
- Po zapálení držte otočný ovladač stisknutý po dobu 5 sekund a poté jej uvolněte.
- Jestliže se hořák během několika sekund nezapálí, otočte otočný ovladač do polohy OFF, počkejte 5 minut a pak to zkuste znovu.

4.3 Používání plynových hořáků

- Otáčením otočného ovladače nastavte odpovídající sílu plamene a teplotu podle potřeby.
 - Plynový hořák je vypnutý.
 - Plynový hořák je nastavený na **maximální** sílu plamene.
 - Plynový hořák je nastavený na **minimální** sílu plamene.
- Druhý hořák zapalte zopakováním postupu (od kroku 4.1).
- Hořák vypnete stlačením **otočného ovladače** a jeho otáčením po směru hodinových ručiček, dokud se nezastaví a příslušný plamen nezhasne.

4.4 Vypálení pece

i Před prvním pečením v peci musíte pec vypálit.

! Kdykoli budete do pece sahat rukou, používejte rukavice.

- Zapněte pec na 30 minut na nejvyšší teplotu.
- Vypněte pec a nechte ji zcela vychladnout, poté vnitřek otřete suchými papírovými utěrkami.

4.5 Vypnutí pece

- Pec po vypálení nebo pečení vypněte stlačením otočného ovladače a jeho otáčením po směru hodinových ručiček, dokud se nezastaví a příslušný plamen nezhasne. Postup opakujte u obou hořáků.
- Uzavřete přívod plynu a odpojte regulátor.

4.6 Pečení v peci

- Zapněte oba hořáky na plný výkon a přehřejte pec a kameny na pizzu po dobu alespoň 30 minut.
- Přímo na kameni na pizzu připravujte pouze pizzu a jiné suché pokrmy z těsta. K přípravě masa, zeleniny nebo jiných pokrmů používejte litinové nádoby a pánve Ooni nebo jiné příslušenství schválené společností Ooni.
- Pec je vybavena dvěma na sobě nezávislými hořáky, takže můžete péct pouze na jedné straně pece, na obou stranách při stejné teplotě nebo na obou stranách při různých teplotách podle toho, jak to vyžaduje konkrétní druh pizzy.

! Nikdy nesahejte do pece, abyste odstranili zbytky jídla, které spadly na kámen na pizzu. Nechte je shořet a vyjměte je po vychladnutí pece. Další tipy naleznete v postupu čištění kamenů na pizzu v tomto návodu v části o údržbě.

i K přesnému měření teploty kamenů na pizzu důrazně doporučujeme používat digitální infračervený teploměr Ooni. Kámen na pizzu se zahřívá pomaleji než vzduch uvnitř pece. (Chcete-li připravit skvělou pizzu, potřebujete vyváženou kombinaci obojího.) Proto je důležité používat digitální infračervený teploměr a digitální ovladač teploty Ooni, díky kterým zajistíte, aby byly teploty kamenů na pizzu a vzduchu podobně vysoké.

i Vše, co potřebujete vědět o pečení v peci Koda 2 Max, najdete v aplikaci Ooni.

5 Instalace clony (pokud je vyžadována)



Naskenováním vyhledáte video s pokyny.

- Používejte ochranné rukavice a ujistěte se, že je pec vystydlá.
 - Odjistěte závěs úhlovým klíčem a uvolněte šroub proti směru hodinových ručiček.
 - Oběma rukama nasuňte pravou stranu clony do držáku ve tvaru písmene U v pravém horním rohu ústí pece.
 - Vložte levou stranu clony do prohlubně na levém závěsu.
 - Položte palec levé ruky pod závěs a jemně jej tlačte směrem nahoru, dokud nedosedne na pec. Podržte závěs v této poloze.
 - Úhlovým klíčem utáhněte šroub po směru hodinových ručiček, abyste tak závěs zajistili na místě.
 - Zkontrolujte, zda je závěs zajištěn na místě.

5.1 Sejmutí clony

Z důvodu hloubkového čištění nebo přípravy objemnějších pokrmů v peci sejměte clonu podle následujících pokynů:

- Používejte ochranné rukavice a ujistěte se, že je pec vystydlá.
 - Položte levý palec nad šroub, abyste podepřeli závěs.
 - Úhlovým klíčem uvolněte šroub proti směru hodinových ručiček, a odjistěte tak závěs.
 - Jemně snižte závěs levým palcem, čímž se sníží i clona.
 - Oběma rukama opatrně zdvihněte levou stranu clony a tahem dopředu ji uvolněte z pravého držáku.
 - Závěs zajistíte následovně: Položte palec levé ruky pod závěs a jemně jej tlačte směrem nahoru, dokud nedosedne na pec. Přidržte závěs v této poloze a otáčením šroubu ve směru hodinových ručiček jej zajistěte.
 - Zkontrolujte, zda je závěs zajištěn na místě.

6 Pokyny k péči a údržbě

VAROVÁNÍ

Nikdy se nepokoušejte o čištění nebo údržbu, pokud je pec horká nebo se používá.

Při čištění pece vždy používejte rukavice.

Žádnou část pece nečistěte abrazivními čisticími prostředky ani drátěnkami.

Na lakované povrchy nepoužívejte chemické čisticí prostředky.

Při čištění vnitřního prostoru pece postupujte opatrně, protože v něm mohou být ostré hrany.

Pokud pec uchováváte venku, vždy ji zakryjte.

6.1 Čištění vnitřního prostoru

- Po každém použití pece vypněte, nechte ji zcela vychladnout a poté otřete vnitřní povrchy a trubky hořáků suchými papírovými utěrkami.
- Pokud je skleněná clona znečištěná, můžete ji opatrně očistit vlhkým hadříkem nebo suchou papírovou utěrkou. V případě odolných skvrn clonu sejměte podle uvedeného návodu (krok 5.1).

6.2 Čištění vnějšího povrchu

- Vnější povrch pece Koda 2 Max můžete otřít teplou mýdlovou vodou a ihned usušit. Vyhněte se abrazivním čisticím prostředkům nebo prostředkům s agresivními látkami.
- Povrch okamžitě osušte a přikryjte krytem Koda 2 Max.

6.3 Čištění kamenů na pizzu

! Nikdy nečistěte chemickými čisticími prostředky ani mýdly. Kameny na pizzu **nikdy** nevystavujte působení vody.

Kameny na pizzu není třeba mýt. Je zcela normální, že se jejich vzhled časem změní.

- Zapněte troubu na plný výkon po dobu 45 minut, aniž byste v ní něco pekli. Kámen na pizzu se při vysokých teplotách sám vyčistí a veškeré zbytky jídla nebo nečistoty se změní v popel.
- Nechte troubu zcela vychladnout a poté tento popel odstraňte kartáčem pro pec na pizzu Ooni. Poznámka: Kameny na pizzu do pece jsou symetrické a oboustranné, takže je můžete mezi jednotlivými použitími (po vychladnutí) obrátit a při dalším pečení vypálit všechny odolné zbytky na druhé straně.


6.4 Výměna zapalovací baterie

- Prostor pro zapalovací baterii se nachází uvnitř zadní nohy.
 - Odšroubujte kryt proti směru hodinových ručiček, vyjměte starou baterii a vyměňte ji za novou, přičemž dbejte na správné umístění pólů +/-.
 - Kryt našroubujte zpět po směru hodinových ručiček.
 - Starou baterii bezpečně zlikvidujte.
- i** Pokud pec nebudete používat déle než měsíc, baterii vyjměte.

Pokud si výrobek zaregistrujete na stránce ooni.com/warranty do 60 dnů od nákupu,* můžete získat prodloužení roční záruky na 5 let* zdarma.

* Platí obchodní podmínky.

Řešení problémů

Problém	Možná příčina	Řešení
Pec se nezažehne.	<ol style="list-style-type: none"> Nesprávné nastavení. Nedostatečný průtok plynu. Nesprávně připojený regulátor. Při zapalování nevznikají jiskry. Objeví se jiskra nebo je slyšet cvaknutí, ale plyn se nezapálí. 	<ol style="list-style-type: none"> Ujistěte se, že je pec nastavená podle kroku 1. Zkontrolujte, zda plynová lahev obsahuje plyn a je ve vzpřímené poloze. Prázdňá nebo téměř prázdná lahev by mohla ovlivnit výkon. Zkontrolujte, zda se plynová hadice nezkroutila. Zkontrolujte, zda je regulátor správně připojen k plynové lahvi. Zkontrolujte, zda je zapalovací baterie uvnitř, správně vložena a nabitá (krok 1.2). Zkontrolujte, zda je kabel zapalovače správně zasunutý (krok 1.1). Obraťte se na zákaznickou podporu společnosti Ooni. V případě potřeby můžete k zapálení použít také zápalku a držák zápalek (krok 4.2).
Hořáky v peci se zapálí, ale nezůstanou zapálené.	<ol style="list-style-type: none"> Pojistka plamene (FSD) se neaktivuje. Termočlánek FSD je znečištěný. Termočlánek FSD je vadný. 	<ol style="list-style-type: none"> Postupujte přesně podle kroků k zapálení (krok 4). Nezapomeňte po zapálení stisknout a přidržet stisknutý otočný ovladač po dobu alespoň 5 sekund, aby se aktivovala pojistka plamene (FSD). Vypněte přívod plynu, počkejte, až pec vychladne, jemně očistěte termočlánek FSD vlhkým hadříkem a před opětovným zapálením jej nechte zcela oschnout. (Abyste k němu získali snadnější přístup, možná bude nutné sejmut clonu.) Pokud kroky 1 a 2 problém nevyřeší, kontaktujte zákaznickou podporu společnosti Ooni.
Pec se dostatečně nerozpálí.	<ol style="list-style-type: none"> Nedostatečný průtok plynu. Tlak plynové lahve / regulátoru. Nastavení a umístění pece. Povětrnostní podmínky. Plynový hořák se nezapaluje na správném místě (obvykle doprovázeno dunivým zvukem). Byla sejmuta clona. 	<ol style="list-style-type: none"> Zkontrolujte, zda plynová lahev obsahuje plyn a je ve vzpřímené poloze. Prázdňá nebo téměř prázdná lahev by mohla ovlivnit výkon. Zkontrolujte, zda se plynová hadice nezkroutila. Zvolte vhodnou plynovou lahev (krok 3) a regulátor tlaku (podle výrobního štítku). Viz pokyny k nastavení (krok 1). Pec používejte na místě chráněném před větrem nebo ji alespoň umístěte tak, aby její ústí nesměřovalo proti větru. Dobu předehřívání a maximální teplotu může ovlivňovat místo a povětrnostní podmínky. Přizpůsobte předpokládanou dobu předehřívání měnícím se okolním podmínkám. Pokud byla pec vystavena vlhkosti nebo chladu, může předehřátí trvat déle. Uchovávejte ji pod vodotěsným krytem, a pokud ji nebudete používat delší dobu, přeneste kameny na pizzu do interiéru. Postupujte podle kroků k vypnutí plynového hořáku, počkejte 5 minut a poté pec znovu zapněte (krok 4.1). Dobu předehřívání a maximální teplotu může ovlivňovat pečení bez clony. Přeinstalaci zajistěte, aby bylo možné dosáhnout požadovaných teplot.
Nadměrná tvorba sazí, když hoří plamen, nebo usazování sazí ve vnitřním prostoru pece a na cloně.	<ol style="list-style-type: none"> Spalování zbytků jídla. Nesprávné nastavení nebo nekompatibilní plynová lahev či regulátor. Ucpaná Venturiho trubice. 	<ol style="list-style-type: none"> Pokyny k pečení najdete v aplikaci Ooni. Při pečení pizzy nepoužívejte příliš mnoho mouky a odstraňujte zbytky jídla, které upadnou na kámen na pizzu. K čištění kamene na pizzu mezi pečeními používejte kartáč pro pec na pizzu Ooni. Zkontrolujte, zda je trouba správně sestavená a zda používáte správnou plynovou lahev (krok 3) a regulátor (podle výrobního štítku). Obraťte se na zákaznickou podporu společnosti Ooni.
Problémy s pečením		 <p>Naskenujte tento kód a stáhněte si aplikaci Ooni, kde najdete tipy k pečení pizzy, recepty a řešení problémů.</p> <p>Můžete také kontaktovat zákaznickou podporu Ooni na adrese support.ooni.com.</p>

Pokud problém přetrvává, kontaktujte zákaznickou podporu společnosti Ooni na adrese support.ooni.com.

Model: UU-P2B800 Ooni Koda 2 Max	I3+ (28-30/37)	I3B/P(30)	
Ooni Limited, Unit 5, Ooni Park, 189 West Main Street, Broxburn, EH52 5LH, UK	Butane	Propane	Butane, propane or their mixture
	28-30 mbar	37 mbar	28-30 mbar
Read the instructions before using this appliance. Use outdoors only. WARNING: Accessible parts may be very hot, keep young children away. Pizza oven PIN: 2575DP40644	11kw (801 g/h)	11kw (801 g/h)	
	Injector size/Marking: 1.2mm x 2 / 1.20		
	A (outdoors use only)		
	CY, GR, ES, TR	BG, CZ, DK, EE, GR, ES, FI, HR, HU, IL, IS, IT, LT, LV, NL, NO, PL, PT, RO, SA, SE, SI, SK, TR	

Αυτό το εγχειρίδιο περιέχει σημαντικές πληροφορίες απαραίτητες για την ασφαλή λειτουργία του φούρνου σας. Διαβάστε ολόκληρο αυτό το εγχειρίδιο πριν συναρμολογήσετε, εγκαταστήσετε, χρησιμοποιείτε ή συντηρήσετε τον φούρνο Ooni Koda 2 Max. Η μη τήρηση αυτών των οδηγιών μπορεί να συντελέσει σε υλικές ζημιές, πυρκαγιά, σοβαρό ατομικό τραυματισμό ή ακόμα και τον θάνατο.

Φυλάξτε αυτό το εγχειρίδιο για μελλοντική αναφορά.

▲ ΠΡΟΕΙΔΟΠΟΙΗΣΗ

Διαβάστε τις οδηγίες πριν χρησιμοποιήσετε τη συσκευή και φυλάξτε τις για μελλοντική παραπομπή.

Να τη χρησιμοποιείτε μόνο σε εξωτερικούς χώρους.

Τα προσβάσιμα μέρη μπορεί να είναι πολύ ζεστά. Κρατήστε τα παιδιά μακριά.

Αυτή η συσκευή πρέπει να φυλάσσεται μακριά από εύφλεκτα υλικά κατά τη χρήση.

Μην μετακινείτε τη συσκευή κατά τη χρήση.

Κίνηση την παροχή αερίου από τη φιάλη αερίου μετά τη χρήση.

Προσέξτε όταν συνδέετε ή αλλάζετε τη φιάλη αερίου και φροντίστε αυτές οι ενέργειες να γίνονται μακριά από οποιαδήποτε πηγή ανάφλεξης.

Μην κάνετε διασκευές στη συσκευή.

Αυτή η συσκευή είναι εξαιρετικά θερμή κατά τη χρήση.

Αφήστε τον φούρνο να κρυώσει εντελώς πριν τον καλύψετε ή τον μετακινήσετε.

Να τον χειρίζεστε χρησιμοποιώντας μόνο τους διακόπτες χειρισμού. Ποτέ μην αγγίζετε τις εξωτερικές μεταλλικές επιφάνειες, την πέτρινη πλάκα ψησίματος ή το τζάμι όταν ο φούρνος είναι αναμμένος.

Κατά τη ρύθμιση, βεβαιωθείτε ότι το στόμιο του φούρνου δεν βλέπει στην κατεύθυνση του ανέμου. Τοποθετήστε τον φούρνο σε απόσταση τουλάχιστον ενός μέτρου από οποιαδήποτε κατασκευή ή καύσιμο υλικό. Μην τον χρησιμοποιείτε σε συνθήκες κακοκαιρίας ή έντονης χιονόπτωσης.

Γυρίστε και τους δύο περιστροφικούς διακόπτες στη θέση OFF πριν συνδέσετε τη φιάλη αερίου.

Να συνδέετε μόνο τα αέρια που αναγράφονται στην πινακίδα χαρακτηριστικών.

Να χρησιμοποιείται μόνο με φιάλες κάτω των 13 κιλών, με μέγιστη διάμετρο 315 χλστ. και μέγιστο ύψος 580 χλστ.

Ο εύκαμπτος σωλήνας αερίου πρέπει να είναι πιστοποιημένος κατά EN16436 με μέγιστο μήκος 1,5 μ.

Εάν οποιαδήποτε στιγμή μυρίσετε αέριο, κλείστε τη φιάλη αερίου ή τη βαλβίδα ρύθμισης, γυρίστε τους περιστροφικούς διακόπτες του φούρνου στη θέση OFF και σβήστε τυχόν ανοιχτές φλόγες.

Μην φοράτε φαρδιά ρούχα όταν χειρίζεστε ή στέκεστε κοντά στον φούρνο.

Ποτέ μην αποθηκεύετε εφεδρικές φιάλες αερίου κάτω από τον φούρνο ή κοντά σε αυτόν.

Ποτέ μην ελέγχετε για διαρροές με γυμνή φλόγα και μην επιχειρείτε να ανάψετε τους καυστήρες κατά τη διάρκεια της δοκιμής.

Σταθείτε στο πλάι κατά το άναμμα. Ποτέ μην κοιτάτε απευθείας στο στόμιο του φούρνου ή στη φλόγα του.

Ποτέ μην χρησιμοποιείτε χημικά καθαριστικά ή σαπούνια στην πέτρινη πλάκα ψησίματος.

Ποτέ μην ρίχνετε νερό πάνω στην πέτρα ψησίματος, καθώς αυτό μπορεί να προκαλέσει τη ρηγμάτωση της.

Φοράτε γάντια προστασίας από τη θερμότητα όταν χρησιμοποιείτε τον φούρνο και όταν χειρίζεστε ιδιαίτερα θερμές συσκευές μαγειρέματος.

Ποτέ μην επιχειρείτε τον καθαρισμό ή τη συντήρηση ενώ ο φούρνος είναι ζεστός ή χρησιμοποιείται.

Μην χρησιμοποιείτε λειαντικά καθαριστικά ή σφουγγαράκια τριψίματος για να καθαρίσετε οποιοδήποτε μέρος του φούρνου.

Να χρησιμοποιείτε μόνο εγκεκριμένα από την Ooni ή επίσημα αξεσουάρ και ανταλλακτικά. Σε αντίθετη περίπτωση, μπορεί να προκληθεί τραυματισμός ή ζημιά στον φούρνο ή την περιουσία σας

Εάν ο φούρνος δεν λειτουργεί κανονικά, απενεργοποιήστε τον και επικοινωνήστε με το τμήμα υποστήριξης της Ooni.

Αντικαταστήστε τον εύκαμπτο σωλήνα αερίου εάν έχει υποστεί ζημιά ή απαιτείται από τους κανονισμούς της χώρας σας.

Τα στεγανά συστήματα της συσκευής δεν πρέπει να παραποιούνται.

Προσέξτε κατά τη χρήση ή τον καθαρισμό του φούρνου επειδή μπορεί να υπάρχουν αιχμηρές ακμές.

Πρώτα βήματα

o Τι περιέχει η συσκευασία:

- a** Φούρνος Ooni Koda 2 Max
- b** Πέτρινη πλάκα πίτσας (x2)
- c** Μπροστινό πόδι (x2)
- d** Οπίσθιο πόδι
- e** Μπαταρία AA για ανάφλεξη
- f** Κλειδί Torx
- g** Βίδες M5 (x10)
- h** Υποδοχή για σπέρτα

- i** Ψηφιακός διανομέας θερμοκρασίας
- j** Βάση στήριξης
- k** Παξιμάδι πεταλούδα
- l** Καλώδιο θερμοκρασίας περιβάλλοντος (x2)
- m** Ανιχνευτής τροφίμων (x2)
- n** Μπαταρίες AA (x2)
- o** Βίδες υποστηρίγματος

Οδηγίες συναρμολόγησης Koda 2 Max

Οδηγίες συναρμολόγησης ψηφιακού διανομέα θερμοκρασίας

❗ **ΠΡΟΣΟΧΗ:** ο φούρνος σας είναι πολύ βαρύς και θα χρειαστούν δύο άτομα για το σήκωμα, τη συναρμολόγηση και την τοποθέτησή του.

MHN σηκώνετε τον φούρνο με τις πέτρινες πλάκες ψησίματος στη θέση τους.

ΠΑΝΤΑ να κρατάτε τον φούρνο από την κάτω πλευρά της βάσης, **ΠΟΤΕ** από το εσωτερικό του άνω κελύφους.

1 Ρύθμιση και συναρμολόγηση

- a. Επιλέξτε κατάλληλη θέση και επιφάνεια για τη ρύθμιση.
 - i. Το τραπέζι Ooni Large Modular ή άλλη ανθεκτική μεταλλική ή ξύλινη επιφάνεια είναι ιδανική για τη στήριξη του φούρνου. Μην τοποθετείτε τον φούρνο σας σε πλαστικά ή γυάλινα τραπέζια. Φροντίζετε πάντα το τραπέζι να μπορεί να αντέξει το βάρος του φούρνου.
 - ii. Η επιφάνεια πρέπει να επιτρέπει στο στόμιο του φούρνου να είναι στραμμένο αντίθετα από τον άνεμο και πρέπει να απέχει ένα μέτρο από οποιοδήποτε κτίριο ή καύσιμο υλικό.
 - iii. Συνιστούμε να τοποθετείτε τον φούρνο έτσι ώστε η πέτρινη πλάκα ψησίματος να βρίσκεται σε ύψος 1,1 μ. από το έδαφος.
- b. Σηκώστε και βγάλτε το καπάκι από το κουτί και τοποθετήστε το καπάκι ανάποδα σε κοντινό σημείο.
- c. Ανασηκώστε το κεντρικό εξωτερικό τμήμα του κουτιού προς τα πάνω και προς τα μακριά, αφήνοντας τη συσκευασία που προστατεύει τις πλευρές του φούρνου να πέσει και να ανοίξει.
- d. Με τη βοήθεια δεύτερου ατόμου, σηκώστε και βγάλτε προσεκτικά τον φούρνο έξω και τοποθετήστε τον ανάποδα στο καπάκι του κουτιού για να προστατεύσετε το άνω μέρος. Βεβαιωθείτε ότι έχετε απομακρύνει όλα τα υλικά συσκευασίας από τον φούρνο.
- e. Σηκώστε το διαχωριστικό χαρτόνι που υπάρχει μέσα στο κουτί για να αποκαλύψετε τα πόδια του φούρνου, τον Ψηφιακό διανομέα θερμοκρασίας, τις πέτρινες πλάκες ψησίματος και άλλα μέρη για συναρμολόγηση.

1.1 Προσάρτηση των ποδιών

- a. Συνδέστε το πίσω πόδι στη βάση με τις 4 βίδες M5 χρησιμοποιώντας το παρεχόμενο κατσαβίδι.
- b. Συνδέστε το καλώδιο της μπαταρίας ανάφλεξης στην πρίζα στη βάση του φούρνου, δίπλα στο πόδι.
- c. Προσαρτήστε τα δύο μπροστινά πόδια χρησιμοποιώντας 3 βίδες M5 στο καθένα.

1.2 Εγκατάσταση της μπαταρίας ανάφλεξης

❗ Η θήκη της μπαταρίας ανάφλεξης βρίσκεται μέσα στο πίσω πόδι.

- a. Ξεβιδώστε το καπάκι αριστερόστροφα και τοποθετήστε την παρεχόμενη μπαταρία AA, προσέχοντας τις κατευθύνσεις +/-.
- b. Βιδώστε ξανά το πώμα στρέφοντας δεξιόστροφα.

1.3



Ακολουθήστε τις οδηγίες συναρμολόγησης του ψηφιακού διανομέα θερμοκρασίας για να τον τοποθετήσετε.

1.4 Εισαγωγή των πέτρινων πλακών ψησίματος

❗ Οι πέτρινες πλάκες ψησίματος είναι βαριές. Προσέξτε να μην μαγκώσετε τα δάχτυλά σας.

- a. Εάν ο φούρνος σας είναι γυρισμένος ανάποδα: Με τη βοήθεια δεύτερου ατόμου, γυρίστε προσεκτικά το φούρνο στην όρθια θέση και στη συνέχεια τοποθετήστε τον στη θέση που επιθυμείτε.
- b. Χρησιμοποιώντας και τα δύο χέρια σας, σηκώστε προσεκτικά την πρώτη πέτρινη πλάκα ψησίματος και τοποθετήστε την έτσι ώστε η στρογγυλεμένη γωνία να βλέπει προς την οπίσθια γωνία του φούρνου. Σύρετε την πέτρινη πλάκα ψησίματος στη θέση της, προσέχοντας να μην γρατσουνίσετε το χείλος της πλάκας.
- c. Χρησιμοποιώντας και τα δύο χέρια σας, σηκώστε τη δεύτερη πέτρινη πλάκα ψησίματος και επαναλάβετε τη διαδικασία στην άλλη πλευρά.
- d. Για να αφαιρέσετε οποιαδήποτε από τις πέτρινες πλάκες ψησίματος, σπρώξτε με το ένα χέρι προς τα επάνω μέσα από την τρύπα στη βάση του φούρνου μέχρι το μπροστινό μέρος της πέτρινης πλάκας ψησίματος να φτάσει αρκετά ψηλά για να το πιάσετε και να το σύρετε προς τα έξω χρησιμοποιώντας το άλλο σας χέρι. **Ποτέ μην** επιχειρήσετε να αφαιρέσετε τις πέτρινες πλάκες ψησίματος ενώ είναι ζεστές.

2 Εγκατάσταση του εύκαμπτου σωλήνα αερίου (εάν απαιτείται)

❗ Ο φούρνος σας διαθέτει τον εύκαμπτο σωλήνα αερίου και τον ρυθμιστή που ταιριάζουν καλύτερα στην παροχή αερίου που υπάρχει στη περιοχή που τον αγοράσατε. Εάν διαθέτετε κάποια άλλη φιάλη αερίου, επικοινωνήστε με την υποστήριξη της Ooni.

- a. Σπρώξτε τον εύκαμπτο σωλήνα πάνω στο οδοντωτό άκρο.
- b. Σύρετε τον βιδωτό σφιγκτήρα επάνω από τον εύκαμπτο σωλήνα.
- c. Σφίξτε τον σφιγκτήρα με κατάλληλο κατσαβίδι.

3 Σύνδεση με αέριο

! Γυρίστε και τους δύο περιστροφικούς διακόπτες στη θέση OFF πριν συνδέσετε τη φιάλη αερίου.

⚠ ΠΡΟΕΙΔΟΠΟΙΗΣΗ

Να χρησιμοποιείται μόνο με φιάλες κάτω των 13 κιλών, με μέγιστη διάμετρο 315 χλστ. και μέγιστο ύψος 580 χλστ.

Προσέξτε όταν συνδέετε ή αλλάζετε τη φιάλη αερίου και φροντίστε αυτές οι ενέργειες να γίνονται μακριά από πηγές ανάφλεξης.

Η συσκευή και η φιάλη αερίου πρέπει να απέχουν μεταξύ τους τουλάχιστον 635 χλστ.

Να συνδέετε μόνο τα αέρια που αναγράφονται στην πινακίδα χαρακτηριστικών.

Ρυθμιστής αερίου κήπου

Αυτό είναι ένα κουμπωτό εξάρτημα αερίου. Βεβαιωθείτε ότι ο μαύρος διακόπτης βρίσκεται στην οριζόντια θέση και, στη συνέχεια, πατήστε το κουμπί που βρίσκεται κάτω από τον μαύρο διακόπτη. Ωθήστε τον ρυθμιστή επάνω στη βαλβίδα της φιάλης αερίου μέχρι να ασφαλίσει στη θέση του.

Ρυθμιστής αερίου POL

Πρόκειται για ένα ρακόρ αερίου με αριστερόστροφο σπείρωμα. Βεβαιωθείτε ότι η βαλβίδα της φιάλης αερίου είναι εντελώς κλειστή (OFF) και, στη συνέχεια, βιδώστε τον ρυθμιστή επάνω στο ρακόρ της βαλβίδας φιάλης αερίου μέχρι να σφίξει.

3.1 Σύνδεση της φιάλης αερίου

- Η βαλβίδα της φιάλης αερίου πρέπει να βρίσκεται στη θέση OFF.
- Βεβαιωθείτε ότι οι περιστροφικοί διακόπτες του φούρνου βρίσκονται επίσης στη θέση OFF.
- Ελέγξτε τις συνδέσεις βαλβίδων, τη θύρα και το συγκρότημα ρυθμιστή. Αφαιρέστε τυχόν ακαθαρσίες και επιθεωρήστε τον εύκαμπτο σωλήνα για φθορές.
- Συνδέστε το συγκρότημα ρυθμιστή με τη βαλβίδα, πιέζοντας τον ρυθμιστή επάνω στη βαλβίδα περιστρέφοντας το παξιμάδι χειρός αριστερόστροφα.
- Ανοίξτε τελείως τη βαλβίδα της φιάλης περιστρέφοντας αριστερόστροφα τον μαύρο διακόπτη στον ρυθμιστή.

3.2 Δοκιμή για διαρροές

- Χρησιμοποιώντας ένα σπρέι ανίχνευσης διαρροών ή ένα διάλυμα υγρού καθαρισμού πιάτων και νερού, ελέγχετε για διαρροές αερίου κάθε φορά που επανασυνδέετε ένα ρακόρ ή αντικαθιστάτε τη φιάλη αερίου.
- Χρησιμοποιήστε μια βούρτσα ή μια φιάλη ψεκασμού για να απλώσετε το διάλυμα στις συνδέσεις και τον ρυθμιστή. Επιθεωρήστε τον εύκαμπτο σωλήνα αερίου και απλώστε τη λύση σε τυχόν ρωγμές που θα εντοπίσετε.
- Εάν υπάρχει διαρροή, θα αναβλύζουν φυσαλίδες από το διάλυμα. Εάν παρατηρήσετε διαρροή στο ρακόρ του εύκαμπτου σωλήνα, σφίξτε το εξάρτημα και ελέγξτε ξανά για διαρροές. Εάν η διαρροή επιμένει ή υπάρχει διαρροή από ρωγμή στον εύκαμπτο σωλήνα, **μην** χρησιμοποιείτε τον φούρνο. Επικοινωνήστε με το τμήμα υποστήριξης της Οοπί για βοήθεια.
- Εάν εντοπίσετε διαρροή, **μην** χρησιμοποιείτε τον φούρνο και αφαιρέστε τη φιάλη αερίου. Εάν η διαρροή βρίσκεται στον φούρνο ή στον εύκαμπτο σωλήνα, επικοινωνήστε με την υποστήριξη της Οοπί. Εάν εντοπιστεί διαρροή στη βαλβίδα της φιάλης αερίου, επικοινωνήστε με τον προμηθευτή αερίου σας.

! Οι ανταλλακτικοί ρυθμιστές πρέπει να είναι πιστοποιημένοι κατά EN16129 και οι εύκαμπτοι σωλήνες κατά EN16436, με μέγιστο μήκος 1,5 μ.

3.3 Αποσύνδεση της φιάλης αερίου

- Γυρίστε τους περιστροφικούς διακόπτες του καυστήρα αερίου στη θέση OFF.
- Γυρίστε δεξιόστροφα τον μαύρο διακόπτη στον ρυθμιστή.
- Πατήστε το κουμπί στον ρυθμιστή για να τον απελευθερώσετε από το άνω μέρος της φιάλης αερίου.
- Τοποθετήστε το καπάκι προστασίας σκόνης στην εκτεθειμένη βαλβίδα της φιάλης αερίου όταν δεν χρησιμοποιείται.

⚠ ΠΡΟΕΙΔΟΠΟΙΗΣΗ

Εάν οποιαδήποτε στιγμή μυρίσετε αέριο, κλείστε τη φιάλη αερίου ή τη βαλβίδα ρύθμισης, γυρίστε τους περιστροφικούς διακόπτες του φούρνου στη θέση OFF και σβήστε τυχόν ανοιχτές φλόγες.

Ποτέ μην ελέγχετε για διαρροές με γυμνή φλόγα και μην επιχειρείτε να ανάψετε τους καυστήρες κατά τη διάρκεια της δοκιμής.

4 Άναμμα του Koda 2 Max

⚠ ΠΡΟΕΙΔΟΠΟΙΗΣΗ

Σταθείτε στο πλάι κατά το άναμμα. Ποτέ μην κοιτάτε απευθείας στο στόμιο του φούρνου ή στη φλόγα του.

Εάν κάποιος καυστήρας δεν ανάψει όπως αναμένεται, ανατρέξτε στον οδηγό αντιμετώπισης προβλημάτων. Κλείστε την παροχή αερίου και περιμένετε 5 λεπτά πριν επιχειρήσετε να τον ανάψετε ξανά. Χρησιμοποιήστε μόνο τους περιστροφικούς



διακόπτες, ποτέ μην αγγίζετε τις εξωτερικές μεταλλικές επιφάνειες, την πέτρινη πλάκα ψησίματος ή το τζάμι ενώ ο φούρνος είναι αναμμένος.

Φοράτε γάντια προστασίας από τη θερμότητα όταν χρησιμοποιείτε τον φούρνο και όταν χειρίζεστε ιδιαίτερα θερμές συσκευές μαγειρέματος.

4.1 Έναυση

- Ο αριστερός περιστροφικός διακόπτης ελέγχει τον αριστερό καυστήρα ενώ ο δεξιός περιστροφικός διακόπτης ελέγχει τον δεξιό καυστήρα.
 - Πιέστε παρατεταμένα οποιονδήποτε περιστροφικό διακόπτη και ταυτόχρονα περιστρέψτε αργά αριστερόστροφα για να δημιουργηθεί σπινθήρας και να ανάψει το αέριο. Μόλις ανάψει, συνεχίστε να τον κρατάτε για 5 δευτερόλεπτα για να διατηρήσετε τη φλόγα.
 - Βεβαιωθείτε ότι το αέριο έχει αναφλεγεί.
 - Εάν ναι, μεταβείτε στο σημείο 4.3.
 - Εάν ο καυστήρας δεν ανάψει, γυρίστε τον διακόπτη στη θέση OFF, περιμένετε 5 λεπτά και, στη συνέχεια, δοκιμάστε ξανά.
 - Εάν ο καυστήρας δεν ανάψει και μετά τη δεύτερη προσπάθεια, μεταβείτε στη θέση OFF, περιμένετε 5 λεπτά και, στη συνέχεια, ακολουθήστε το βήμα 4.2.
 - Εάν οι φλόγες ανάψουν σωστά, θα πρέπει να φαίνονται όπως στην εικόνα.
 - Εάν ένας ή και οι δύο καυστήρες σβήσουν τυχαία, ανατρέξτε στην αντιμετώπιση προβλημάτων.

4.2 Άναμμα του φούρνου με την υποδοχή για σπέρτα

- Ποτέ μην κοιτάζετε απευθείας στο φούρνο όταν τον ανάβετε. Πάντα να στέκεστε στο πλάι και να φοράτε γάντια καθ' όλη τη διάρκεια του ανάμματος.
- Εάν οι καυστήρες δεν ανάψουν μετά από αρκετές προσπάθειες χρησιμοποιώντας τους περιστροφικούς διακόπτες, μπορείτε να τους ανάψετε με σπέρτο. Η παρεχόμενη υποδοχή για σπέρτα είναι προσαρτημένη στη βάση, στην αντιδιαμετρική πλευρά από τον πίνακα ελέγχου.
 - Εάν έχετε ήδη προσπαθήσει να ανάψετε τους καυστήρες χρησιμοποιώντας τους περιστροφικούς διακόπτες, μεταβείτε στη θέση OFF και περιμένετε 5 λεπτά για να διασκορπιστεί τυχόν αέριο.
 - Τοποθετήστε ένα σπέρτο μέσα στην υποδοχή σπέρτων, ανάψτε το σπέρτο και αγγίξτε το σε έναν από τους καυστήρες μέσω του στομίου του φούρνου.
 - Πιέστε τον επιλογέα ελέγχου που αντιστοιχεί στον καυστήρα και γυρίστε τον αργά μέχρι τη μέγιστη θέση. Ο καυστήρας πρέπει να αναφλεγεί αμέσως.
 - Συνεχίστε να πιέζετε μέσα τον περιστροφικό διακόπτη για 5 δευτερόλεπτα μετά την ανάφλεξη και στη συνέχεια αφήστε τον.
 - Εάν ο καυστήρας δεν ανάψει μέσα σε μερικά δευτερόλεπτα, απενεργοποιήστε τον περιστροφικό διακόπτη, περιμένετε 5 λεπτά και, στη συνέχεια, προσπαθήστε ξανά.

4.3 Χρήση των καυστήρων αερίου

- Γυρίστε τον περιστροφικό διακόπτη για να ρυθμίσετε ανάλογα την αντίστοιχη φλόγα και θερμοκρασία.
 - Ο καυστήρας αερίου είναι ΣΒΗΣΤΟΣ.
 - Ο καυστήρας αερίου έχει ρυθμιστεί στη **μέγιστη** φλόγα.
 - Ο καυστήρας αερίου έχει ρυθμιστεί στην **ελάχιστη** φλόγα.
- Επαναλάβετε τη διαδικασία (ξεκινώντας από το βήμα 4.1) για να ανάψετε τον δεύτερο καυστήρα.
- Για σβήσιμο, πιέστε **μέσα τον περιστροφικό διακόπτη** και περιστρέψτε δεξιόστροφα μέχρι να σταματήσει και να σβήσει η αντίστοιχη φλόγα.

4.4 Αρχική προετοιμασία του φούρνου σας

- Πρέπει να προετοιμάσετε τον φούρνο σας πριν μαγειρέψετε για πρώτη φορά.
- Να φοράτε πάντα γάντια όταν βάζετε το χέρι σας μέσα στο φούρνο.
 - Για να το κάνετε αυτό, θέστε σε λειτουργία τον φούρνο στη μέγιστη θερμοκρασία για 30 λεπτά.
 - Σβήστε το φούρνο και αφήστε τον να κρυώσει εντελώς. Στη συνέχεια σκουπίστε το εσωτερικό με στεγνό χαρτί κουζίνας.

4.5 Σβήσιμο του φούρνου

- Για σβήσιμο μετά την προετοιμασία ή το ψήσιμο, πιέστε μέσα τον περιστροφικό διακόπτη και περιστρέψτε δεξιόστροφα μέχρι να σταματήσει και να σβήσει η αντίστοιχη φλόγα. Επαναλάβετε και για τους δύο καυστήρες.
- Κλείστε την παροχή αερίου και αποσυνδέστε τον ρυθμιστή.

4.6 Μαγείρεμα με τον φούρνο σας

- Ενεργοποιήστε και τους δύο καυστήρες στη μέγιστη ισχύ για να προθερμάνετε το φούρνο και τις πέτρινες πλάκες ψησίματος για τουλάχιστον 30 λεπτά.
- Να ψήνετε μόνο πίτσα και άλλες στεγνές τροφές με βάση ζύμης απευθείας επάνω στην πέτρινη πλάκα ψησίματος. Για να μαγειρέψετε κρέας, λαχανικά ή άλλα τρόφιμα, χρησιμοποιήστε τη σειρά σκευών Ooni Cast Iron και Ooni Pans ή άλλα αξεσουάρ μαγειρικής εγκεκριμένα από την Ooni.
- Ο φούρνος είναι εξοπλισμένος με δύο ανεξάρτητους καυστήρες που σας επιτρέπουν να μαγειρεύετε μόνο στη μία πλευρά του φούρνου, και στις δύο πλευρές στην ίδια θερμοκρασία ή και στις δύο πλευρές σε διαφορετικές θερμοκρασίες για να έχετε τη δυνατότητα να ψήνετε πίτσες διαφόρων ειδών.

! **Ποτέ μην** απλώνετε το χέρι σας στον φούρνο για να καθαρίσετε υπολείμματα τροφίμων που έχουν πέσει πάνω στην πέτρινη πλάκα ψησίματος. Αφήστε τα να καούν και, στη συνέχεια, αφαιρέστε τα μόλις κρυώσει ο φούρνος. Για πρόσθετες συμβουλές, ανατρέξτε στη διαδικασία καθαρισμού της πέτρινης πλάκας ψησίματος στην ενότητα συντήρησης αυτού του εγχειριδίου.

i Συνιστούμε ανεπιφύλακτα τη χρήση ενός ψηφιακού υπέρυθρου θερμομέτρου Ooni για την ακριβή μέτρηση της θερμοκρασίας της πέτρινης πλάκας ψησίματος. Η πέτρινη πλάκα ψησίματος θα ζεσταθεί πιο αργά από τον αέρα που υπάρχει μέσα στο φούρνο. (Για να μαγειρέψετε υπέροχες πίτσες, χρειάζεστε έναν ισορροπημένο συνδυασμό και των δύο). Αυτός είναι ο λόγος για τον οποίο είναι σημαντικό να χρησιμοποιήσετε ένα ψηφιακό θερμόμετρο υπέρυθρων Ooni καθώς και τον Ψηφιακό διανομέα θερμοκρασίας για να διασφαλίσετε ότι οι θερμοκρασίες της πέτρινης πλάκας ψησίματος και του αέρα δεν αποκλίνουν σημαντικά.

i Για όλα όσα πρέπει να γνωρίζετε για το ψήσιμο με τον Koda 2 Max, κατεβάστε την εφαρμογή Ooni.

5 Εγκατάσταση του σκιάδιου (εάν απαιτείται)



Σαρώστε για βίντεο με οδηγίες

- Φοράτε προστατευτικά γάντια και βεβαιωθείτε ότι ο φούρνος σας έχει κρυώσει.
 - Ανοίξτε το άγκιστρο χρησιμοποιώντας το κλειδί torx για να χαλαρώσετε τη βίδα αριστερόστροφα.
 - Χρησιμοποιώντας και τα δύο χέρια σας, οδηγήστε τη δεξιά πλευρά του σκιάδιου στο βραχίονα σχήματος U στην επάνω δεξιά γωνία του στομίου του φούρνου.
 - Τοποθετήστε την αριστερή πλευρά του σκιάδιου στην εσοχή του αριστερού μεντεσέ.
 - Τοποθετήστε τον αριστερό αντίχειρά σας κάτω από τον μεντεσέ και ωθήστε τον ελαφρά προς τα επάνω μέχρι να έρθει πρόσωπο με το σώμα του φούρνου. Κρατήστε τον μεντεσέ σε αυτήν τη θέση.
 - Χρησιμοποιήστε το κλειδί torx για να σφίξετε τη βίδα δεξιόστροφα, στερεώνοντας τον μεντεσέ.
 - Βεβαιωθείτε ότι το άγκιστρο έχει κουμπώσει στη θέση του.

5.1 Αφαίρεση του σκιάδιου

Για βαθύ καθαρισμό ή το ψήσιμο μεγαλύτερων αντικειμένων στο φούρνο, ακολουθήστε αυτά τα βήματα για να αφαιρέσετε το σκιάδιο:

- Φοράτε προστατευτικά γάντια και βεβαιωθείτε ότι ο φούρνος σας έχει κρυώσει.
 - Τοποθετήστε τον αριστερό αντίχειρα επάνω από τη βίδα για να στηρίξετε το άγκιστρο.
 - Χρησιμοποιήστε το κλειδί torx για να χαλαρώσετε τη βίδα αριστερόστροφα και έτσι να απασφαλίσετε το άγκιστρο.
 - Χαμηλώστε απαλά το άγκιστρο χρησιμοποιώντας τον αριστερό αντίχειρά σας, ο οποίος θα επιτρέψει στο σκιάδιο να χαμηλώσει.
 - Χρησιμοποιήστε και τα δύο χέρια για να σηκώσετε προσεκτικά την αριστερή πλευρά του σκιάδιου και τραβήξτε προς τα εμπρός για να απελευθερώσετε το σκιάδιο από το δεξιό στηρίγμα.
 - Για να κλείσετε το άγκιστρο, τοποθετήστε τον αριστερό αντίχειρά σας κάτω από το άγκιστρο και ωθήστε το ελαφρά προς τα επάνω μέχρι να έρθει πρόσωπο με το σώμα του φούρνου. Κρατήστε το άγκιστρο στη θέση αυτή και περιστρέψτε τη βίδα δεξιόστροφα για να ασφαλίσετε.
 - Βεβαιωθείτε ότι το άγκιστρο έχει κουμπώσει στη θέση του.

6 Οδηγίες φροντίδας και συντήρησης

⚠️ ΠΡΟΕΙΔΟΠΟΙΗΣΗ

Ποτέ μην επιχειρείτε τον καθαρισμό ή τη συντήρηση ενώ ο φούρνος είναι ζεστός ή χρησιμοποιείται.

Να φοράτε πάντα γάντια όταν καθαρίζετε τον φούρνο.

Μην χρησιμοποιείτε λειαντικά καθαριστικά ή σφουγγαράκια τριψίματος για να καθαρίσετε οποιοδήποτε μέρος του φούρνου.

Μην χρησιμοποιείτε χημικά καθαριστικά σε βαμμένες επιφάνειες.

Να προσέχετε κατά τον καθαρισμό μέσα στον φούρνο επειδή μπορεί να υπάρχουν αιχμηρές ακμές.

Πάντα να καλύπτετε το φούρνο όταν αποθηκεύετε σε εξωτερικούς χώρους.

6.1 Καθαρισμός του εσωτερικού

- Μετά από κάθε χρήση, σβήνετε τον φούρνο και αφήνετε τον να κρυώσει εντελώς πριν σκουπίσετε τις εσωτερικές επιφάνειες και κατά μήκος των σωλήνων καυστήρων με στεγνό χαρτί κουζίνας.
- Εάν το γυάλινο σκιάδιο είναι βρώμικο, μπορείτε να το καθαρίσετε προσεκτικά χρησιμοποιώντας υγρό πανί ή στεγνό χαρτί κουζίνας. Για επίμονους λεκέδες, αφαιρέστε το σκιάδιο σύμφωνα με τις παρεχόμενες οδηγίες (Βήμα 5.1).

6.2 Καθαρισμός του εξωτερικού

- Το εξωτερικό κέλυφος του Koda 2 Max μπορεί να σκουπιστεί με ζεστή σαπουνάδα και να στεγνώσει αμέσως. Αποφύγετε τα προϊόντα καθαρισμού που χαράζουν ή εκείνα που περιέχουν δραστικά χημικά.
- Στεγνώστε αμέσως και καλύψτε το με το κάλυμμα Koda 2 Max.

6.3 Καθαρισμός των πέτρινων πλακών ψησίματος

! **Ποτέ μην** χρησιμοποιείτε χημικά καθαριστικά ή σαπούνια στις πέτρινες πλάκες ψησίματος. **Ποτέ μην** εκθέτετε τις πέτρινες πλάκες ψησίματος στο νερό.

Δεν χρειάζεται να πλένετε τις πέτρινες πλάκες ψησίματος. Είναι απολύτως φυσιολογικό η εμφάνισή τους να αλλάζει με την πάροδο του χρόνου.

- Ανάψτε τον φούρνο σε πλήρη ισχύ για 45 λεπτά χωρίς να μαγειρέψετε σε αυτόν. Η πέτρινη πλάκα ψησίματος θα αυτοκαθαριστεί σε υψηλές θερμοκρασίες και τυχόν υπολείμματα τροφίμων ή ακαθαρσιών θα μετατραπούν σε στάχτη.
- Αφήστε το φούρνο να κρυώσει εντελώς, στη συνέχεια αφαιρέστε τη στάχτη με βουρτσάκι Ooni Pizza Oven Brush. Σημείωση: Οι πέτρινες πλάκες ψησίματος του φούρνου σας είναι συμμετρικές και διπλής όψης, ώστε να μπορείτε να τις γυρίσετε από τη μian χρήση στην άλλη (μόλις κρυώσουν) και να κάψετε τυχόν επίμονα υπολείμματα από την κάτω επιφάνεια την επόμενη φορά που θα ψήσετε.

6.4 Αντικατάσταση της μπαταρίας ανάφλεξης

- Η θήκη της μπαταρίας ανάφλεξης βρίσκεται μέσα στο πίσω πόδι.
 - Ξεβιδώστε το καπάκι αριστερόστροφα για να αφαιρέσετε την παλιά μπαταρία και αντικαταστήστε την με νέα, προσέχοντας τις κατευθύνσεις +/-.
 - Βιδώστε ξανά το πώμα στρέφοντας δεξιόστροφα.
 - Απορρίψτε με ασφάλεια την παλιά μπαταρία.
- i** Εάν αποθηκεύετε το φούρνο για περισσότερο από ένα μήνα, αφαιρέστε την μπαταρία.


Επεκτείνετε την 1 έτους εγγύηση στα 5 χρόνια* δωρεάν όταν δηλώνετε το προϊόν σας στο [ooni.com/warranty](https://www.ooni.com/warranty) εντός 60 ημερών από την ημερομηνία αγοράς.*

*Ισχύουν όροι και προϋποθέσεις

Αντιμετώπιση προβλημάτων

Πρόβλημα	Πιθανή αιτία	Λύση
Ο φούρνος μου δεν ανάβει	<ol style="list-style-type: none"> 1. Ακατάλληλη ρύθμιση. 2. Ανεπαρκής ροή αερίου. 3. Ο ρυθμιστής δεν έχει προσαρτηθεί σωστά. 4. Δεν υπάρχει σπινθήρας από την ανάφλεξη. 5. Υπάρχει ένας σπινθήρας ή ακούγεται κλικ, αλλά το αέριο δεν ανάβει. 	<ol style="list-style-type: none"> 1. Βεβαιωθείτε ότι ο φούρνος έχει ρυθμιστεί σύμφωνα με το βήμα 1. 2. Βεβαιωθείτε ότι η φιάλη αερίου περιέχει καύσιμο και βρίσκεται σε όρθια θέση. Μια άδεια ή σχεδόν άδεια φιάλη θα μπορούσε να επηρεάσει την απόδοση. Ελέγξτε για τυχόν τσακίσματα στον εύκαμπτο σωλήνα αερίου. 3. Βεβαιωθείτε ότι ο ρυθμιστής είναι σωστά συνδεδεμένος στη φιάλη αερίου. 4. Ελέγξτε ότι η μπαταρία έναυσης είναι στη θέση της, έχει τοποθετηθεί σωστά και διαθέτει φόρτιση (βήμα 1.2). Βεβαιωθείτε ότι το καλώδιο παροχής σπινθήρα έχει τοποθετηθεί σωστά (βήμα 1.1). 5. Επικοινωνήστε με το τμήμα υποστήριξης πελατών της Ooni. Μπορείτε επίσης να τον ανάψετε με σπύρτο και την υποδοχή για σπύρτα (βήμα 4.2) εάν είναι απαραίτητο.
Οι καυστήρες του φούρνου μου ανάβουν, αλλά δεν μένουν αναμμένοι.	<ol style="list-style-type: none"> 1. Η συσκευή επιτήρησης φλόγας (FSD) δεν είναι ενεργοποιημένη. 2. Το θερμοστοιχείο FSD είναι βρώμικο. 3. Το θερμοστοιχείο FSD είναι ελαττωματικό. 	<ol style="list-style-type: none"> 1. Ακολουθήστε προσεκτικά τα βήματα ανάμματος (βήμα 4). Βεβαιωθείτε ότι πιέζετε παρατεταμένα τον κεντρικό περιστροφικό διακόπτη για τουλάχιστον 5 δευτερόλεπτα μετά την ανάφλεξη, για να ενεργοποιήσετε τη συσκευή επιτήρησης φλόγας (FSD). 2. Απενεργοποιήστε την παροχή αερίου, περιμένετε να κρυώσει ο φούρνος, καθαρίστε απαλά το θερμοστοιχείο FSD με ένα υγρό πανί και αφήστε το να στεγνώσει πλήρως πριν ανάψετε ξανά. (Ενδέχεται να χρειαστεί να αφαιρέσετε το σκιάδιο για ευκολότερη πρόσβαση.) 3. Εάν τα βήματα 1 και 2 δεν επιλύσουν το πρόβλημα, επικοινωνήστε με το τμήμα υποστήριξης πελατών της Ooni.
Ο φούρνος μου δεν ζεσταίνεται αρκετά.	<ol style="list-style-type: none"> 1. Ανεπαρκής ροή αερίου. 2. Πίεση φιάλης αερίου / ρυθμιστή. 3. Ρύθμιση και τοποθέτηση φούρνου. 4. Καιρικές συνθήκες. 5. Ο καυστήρας αερίου ανάβει οπίσθιο φωτισμό (συνήθως συνοδεύεται από ήχο που μοιάζει με ρόγχο). 6. Το σκιάδιο έχει αφαιρεθεί. 	<ol style="list-style-type: none"> 1. Βεβαιωθείτε ότι η φιάλη αερίου περιέχει καύσιμο και βρίσκεται σε όρθια θέση. Μια άδεια ή σχεδόν άδεια φιάλη ενδέχεται να επηρεάσει την απόδοση. Ελέγξτε για τυχόν τσακίσματα στον εύκαμπτο σωλήνα αερίου. 2. Επιλέξτε κατάλληλη φιάλη αερίου (βήμα 3) και πίεση ρυθμιστή (σύμφωνα με την πινακίδα χαρακτηριστικών). 3. Ανατρέξτε στις οδηγίες ρύθμισης (βήμα 1). Χρησιμοποιήστε το φούρνο σε σημείο προστατευμένο από τον άνεμο ή τουλάχιστον τοποθετήστε τον έτσι ώστε το στόμα να βλέπει μακριά από τον άνεμο. 4. Ο χρόνος προθέρμανσης και η μέγιστη θερμοκρασία μπορούν να επηρεαστούν από την τοποθεσία και τις καιρικές συνθήκες. Ρυθμίστε τον αναμενόμενο χρόνο προθέρμανσης ώστε να λαμβάνονται υπόψη οι διάφορες συνθήκες περιβάλλοντος. Εάν ο φούρνος σας έχει εκτεθεί σε υγρασία ή ψύχος, μπορεί να χρειαστεί περισσότερος χρόνος για να προθερμανθεί. Αποθηκεύστε τον κάτω από ένα αδιάβροχο κάλυμμα και φέρτε τις πέτρινες πλάκες ψησίματος σε εσωτερικούς χώρους για παρατεταμένες περιόδους εκτός χρήσης. 5. Ακολουθήστε τα βήματα για το σβήσιμο του καυστήρα αερίου, περιμένετε 5 λεπτά και, στη συνέχεια, ανάψτε ξανά τον φούρνο (βήμα 4.1). 6. Ο χρόνος προθέρμανσης και η μέγιστη θερμοκρασία μπορεί να επηρεαστούν κατά το ψήσιμο χωρίς το σκιάδιο. Επανεγκαταστήστε για να διασφαλίσετε ότι μπορούν να επιτευχθούν οι σωστές θερμοκρασίες.
Φλόγα με υπερβολική κάπνα / αιθάλη στο εσωτερικό του φούρνου και στο σκιάδιο.	<ol style="list-style-type: none"> 1. Καύση υπολειμμάτων τροφίμων. 2. Λανθασμένη ρύθμιση ή μη συμβατή φιάλη αερίου ή ρυθμιστής. 3. Βουλωμένο βεντούρι αερίου. 	<ol style="list-style-type: none"> 1. Ανατρέξτε στην εφαρμογή Ooni για οδηγίες ψησίματος. Αποφύγετε να χρησιμοποιείτε πάρα πολύ αλεύρι για να ψήσετε την πίτσα σας και αφαιρέστε τυχόν υπολείμματα τροφίμων που πέφτουν πάνω στην πέτρινη πλάκα ψησίματος. Χρησιμοποιήστε βούρτσα Ooni Pizza Oven Brush για να καθαρίσετε την πέτρινη πλάκα ψησίματος μετά από κάθε ψήσιμο. 2. Βεβαιωθείτε ότι ο φούρνος σας έχει συναρμολογηθεί σωστά και ότι χρησιμοποιείτε τη σωστή φιάλη αερίου (βήμα 3) και ρυθμιστή (σύμφωνα με την πινακίδα χαρακτηριστικών). 3. Επικοινωνήστε με το τμήμα υποστήριξης πελατών της Ooni.
Θέματα ψησίματος		 <p>Σαρώστε για να κατεβάσετε την εφαρμογή Ooni για συμβουλές και συνταγές ψησίματος πίτσας και για αντιμετώπιση προβλημάτων.</p> <p>Μπορείτε επίσης να επικοινωνήσετε με την υποστήριξη πελατών της Ooni στο support.ooni.com</p>

Εάν το πρόβλημα παραμένει, επικοινωνήστε με το τμήμα υποστήριξης πελατών της Ooni στο support.ooni.com.

Model: UU-P2B800 Ooni Koda 2 Max	I3+ (28-30/37)	I3B/P(30)	
Ooni Limited, Unit 5, Ooni Park, 189 West Main Street, Broxburn, EH52 5LH, UK	Butane	Propane	Butane, propane or their mixture
	28-30 mbar	37 mbar	28-30 mbar
Read the instructions before using this appliance. Use outdoors only. WARNING: Accessible parts may be very hot, keep young children away.	11kw (801 g/h)	11kw (801 g/h)	
	Injector size/Marking: 1.2mm x 2 / 1.20		
	A (outdoors use only)		
	CY, GR, ES, TR	BG, CZ, DK, EE, GR, ES, FI, HR, HU, IL, IS, IT, LT, LV, NL, NO, PL, PT, RO, SA, SE, SI, SK, TR	
Pizza oven PIN: 2575DP40644	 2575-24		

See juhend sisaldab olulist teavet, mis on oluline teie ahju ohutuks kasutamiseks. Enne Ooni Koda 2 Max ahju kokkupanekut, paigaldamist, kasutamist või hooldamist lugege see juhend täielikult läbi. Nende juhiste eiramine võib põhjustada varalise kahju, tulekahju, tõsiseid kehavigastusi või isegi surma.

Palun hoidke see juhend edaspidiseks kasutamiseks alles.

⚠ HOIATUS!

Enne seadme kasutamist lugege juhiseid ja hoidke need edaspidiseks kasutamiseks alles.

Kasutage seadet ainult õues.

Juurdepäsetavad osad võivad olla väga kuumad. Hoidke väikesed lapsed eemal.

Seda seadet tuleb kasutamise ajal tuleohtlikest materjalidest eemal hoida.

Ärge liigutage seadet kasutamise ajal.

Pärast kasutamist lülitage gaasiballooni gaasivarustus välja.

Olge gaasiballooni kinnitamisel või vahetamisel ettevaatlik ja tehke seda eemal kõigist süüteallikatest.

Ärge modifitseerige seadet.

See seade on kasutamise ajal äärmiselt kuum.

Laske ahjul enne selle katmist või teisaldamist täielikult jahtuda.

Kasutage seadet ainult juhtnuppude abil; ärge kunagi puudutage välimisi metallpindu, pitsakivi ega klaasi, kui ahi on sisse lülitatud.

Seadistamisel veenduge, et ahju suu ei paikneks tuule suunas. Asetage ahi vähemalt ühe meetri kaugusele mis tahes konstruktsioonist või tuleohtlikust materjalist. Ärge kasutage seadet tormise ilmaga või tugeva lumesajuga.

Enne gaasiballooni ühendamist keerake mõlemad juhtnupud asendisse OFF (väljas).

Ühendage ainult andmesildil loetletud gaasitüüpe.

Kasutage seadet ainult alla 13 kg kaaluvate balloonidega, mille maksimaalne läbimõõt on 315 mm ja maksimumkõrgus 580 mm.

Gaasivoolik peab olema EN16436 sertifikaadiga ja maksimaalse pikkusega 1,5 m.

Kui tunnete mis tahes ajal gaasilõhna, sulgege gaasiballoon või regulaatorventiil, keerake ahju juhtnupud asendisse OFF (väljas) ja kustutage kõik lahtised leegid.

Ärge kandke ahju kasutamisel ega selle lähedal seistes lahtisi riideid.

Ärge kunagi hoidke varugaasiballoone ahju all ega selle lähedal.

Ärge kunagi kontrollige lekkeid lahtise leegiga ega proovige testimise ajal põleteid süüdata.

Seiske süütamise ajal küljel. Ärge kunagi vaadake otse ahju suhu ega leeki.

Ärge kunagi kasutage pitsakivi pinnal keemilisi puhastusvahendeid ega seepe.

Ärge kunagi valage pitsakivile vett, sest see võib põhjustada selle pragunemise.

Ahju kasutamisel ja eriti kuumu toiduvalmistamisseadme käsitlemisel kandke kuumakaitsekindaid.

Ärge kunagi proovige ahju puhastada ega hooldada, kui see on kuum või parajasti kasutusel.

Ärge kasutage ahju mis tahes osa puhastamiseks abrasiivseid puhastusvahendeid ega küürimispatju.

Kasutage ainult Ooni poolt heaks kiidetud või ametlikke tarvikuid ja varuosi. Selle eiramine võib teie ahju või vara vigastada või kahjustada

Kui ahi töötab ebanormaalselt, lülitage ahi välja ja võtke ühendust Ooni toega.

Vahetage gaasivoolik välja, kui see on kahjustatud või kui riiklikud eeskirjad seda nõuavad.

Seadme plommitud süsteeme ei tohi manipuleerida.

Olge ahju kasutamisel või puhastamisel ettevaatlik, sest seal võib olla teravaid servi.

Alustamine

o Mis on karbis:

- a Ooni Koda 2 Max ahi
- b Pitsakivi (x2)
- c Esijalg (x2)
- d Tagumine jalg
- e AA aku süüte jaoks
- f Torx-võti
- g M5 kruvid (x10)
- h Tikuhoidik

- i Digitaalne temperatuurikeskus
- j Kinnitusklamber
- k Pöidlamutter
- l Ümbritseva õhu temperatuuri kaabel (x2)
- m Toidusond (x2)
- n AA patareid (x2)
- o Klambri kruvid

Koda 2 Max montaažijuhised

Digitaalse temperatuurikeskuse montaažijuhised

ⓘ **ETTEVAATUST:** Teie ahi on väga raske ja selle tõstmiseks, kokkupanekuks ja paigutamiseks on vaja kahte inimest.

ÄRGE tõstke ahju koos pitsakividega.

Hoidke ahju **ALATI** aluse alumisest küljest, **MITTE KUNAGI** ülemise kesta sisemusest.

1 Seadistamine ja kokkupanek

- a. Valige ahju paigutamiseks sobiv asukoht ja pind.
 - i. Ooni suur moodullaud või mõni muu vastupidav metall- või puitpind sobib ideaalselt ahju toestamiseks. Ärge paigutage ahju plast- ega klaaslaudadele. Veenduge alati, et laud taluks ahju kaalu.
 - ii. Pind peaks võimaldama suunata ahjusuu tuule suunast kõrvale ja olema ühe meetri kaugusel mis tahes konstruktsioonist või tuleohtlikust materjalist.
 - iii. Soovitame ahju paigutada nii, et pitsakivi oleks maapinnast 1,1m kõrgusel.
- b. Tõstke kaas karbilt ja asetage see tagurpidi lähedale maha.
- c. Tõstke välimise kasti keskmine osa üles ja eemale, nii et ahju külgi kaitsev pakend saaks lahti kukkuda.
- d. Tõstke ahi teise inimese abiga ettevaatlikult välja ja asetage see tagurpidi karbi kaanele, et kaitsta selle ülaosa. Veenduge, et kõik pakkematerjalid on ahju küljest eemaldatud.
- e. Tõstke karbi sees olev papist jagaja üles, et leida ahjujalad, digitaalne temperatuurikeskus, pitsakivid ja muud osad kokkupanekuks.

1.1 Jalgade kinnitamine

- a. Kinnitage tagumine jalg aluse külge 4x M5 kruvidega, kasutades kaasasolevat kruvikeerajat.
- b. Ühendage süütepatarei kaabel jala kõrval ahju põhjas olevasse pistikupessa.
- c. Kinnitage kaks esijalga 3x M5 kruvidega.

1.2 Süütepatarei paigaldamine

ⓘ Süütepatarei pesa asub tagumise jala sees.

- a. Keerake kork vastupäeva lahti ja paigaldage kaasasolev AA-patarei, pöörates tähelepanu +/- suundadele.
- b. Keerake kork päripäeva tagasi.

1.3



Järgige digitaalse temperatuurikeskuse montaažijuhiseid selle paigaldamiseks.

1.4 Pitsakivide sisestamine

ⓘ Pitsakivid on rasked; olge ettevaatlik, et sõrmed nende alla ei jääks.

- a. Kui teie ahi on tagurpidi: Keerake teise inimese abiga ahi ettevaatlikult püsti ja asetage see seejärel ettenähtud kohta.
- b. Tõstke mõlema käega ettevaatlikult esimene pitsakivi üles ja asetage see ümara nurgaga ahju tagumise nurga poole. Libistage pitsakivi oma kohale, hoolitsedes selle eest, et see ahjuärt ei kriimustaks.
- c. Tõstke mõlema käega teine pitsakivi üles ja korrake protsessi teisel küljel.
- d. Pitsakivi eemaldamiseks suruge ühe käega läbi ahjupõhjas oleva augu, kuni pitsakivi esikülg on piisavalt kõrgel, et sellest teise käega haarata ja see välja libistada. **Ärge kunagi** proovige pitsakive eemaldada, kui need on kuumad.

2 Gaasivooliku paigaldamine (vajadusel)

ⓘ Teie ahjuga on kaasas gaasivoolik ja regulaator, mis sobivad kõige paremini teie ostupiirkonna gaasivarustusega. Kui teil on teistsugune gaasiballoon, võtke ühendust Ooni toega.

- a. Lükake voolik toruotsale.
- b. Libistage toruklamber voolikule.
- c. Pingutage toruklamber sobiva kruvikeerajaga.

3 Gaasiga ühendamine

ⓘ Enne gaasiballooni ühendamist keerake mõlemad juhtnupud asendisse OFF (väljas).

⚠ HOIATUS!

Kasutage seadet ainult alla 13 kg kaaluvate balloonidega, mille maksimaalne läbimõõt on 315 mm ja maksimumkõrgus 580 mm.

Olge gaasiballooni kinnitamisel või vahetamisel ettevaatlik ja tehke seda eemal kõigist süüteallikatest.

Seade ja gaasiballoon peaksid olema teineteisest vähemalt 635 mm kaugusel.

Ühendage ainult andmesildil loetletud gaasitüüpe.

Terrassi gaasiregulaator

See on pealesurutav gaasilülitik. Veenduge, et must lüliti oleks horisontaalasendis, seejärel vajutage musta lüliti all asuvat nuppu. Lükake regulaator gaasiballooni ventiilile, kuni see oma kohale lukustub.

POL-gaasiregulaator

See on vastupäeva keermega gaasilülitik. Veenduge, et gaasiballooni ventiil on täielikult suletud, seejärel keerake regulaator gaasiballooni ventiili liitmiku külge, kuni see on tihedalt suletud.

3.1 Gaasiballooni ühendamine

- Gasiballooni ventiil peaks olema asendis OFF (väljas).
- Veenduge, et ahju juhtnupud oleksid samuti asendis OFF (väljas).
- Kontrollige ventiilide ühendusi, pordi ja regulaatori koostu. Eemaldage praht ja kontrollige voolikut kahjustuste suhtes.
- Ühendage regulaatori koost ventiili külge, surudes regulaatori ventiilile, pöörates käsimutrit vastupäeva.
- Avage ballooni ventiil täielikult, keerates regulaatori musta lüliti vastupäeva.

3.2 Lekete testimine

- Kontrollige lekketuvastussprei või nõudepesuseebi vesilahuse abil gaasilekkeid iga kord, kui liitmiku uuesti ühendate või gaasiballooni vahetate.
 - Kasutage harja või pihustuspudelit, et kanda lahus liitmikele ja regulaatorile. Kontrollige gaasivoolikut ja kandke lahust leitud pragudele.
 - Kui leke on olemas, hakkab lahus mullitama. Kui märkate vooliku liitmikus leket, pingutage liitmikku ja kontrollige uuesti lekkeid. Kui leke püsib või voolik lekib, **ärge** ahju kasutage. Abi saamiseks pöörduge Ooni toe poole.
 - Kui leiate lekke, **ärge** ahju kasutage; eemaldage gaasiballoon. Kui leke leidub ahjus või voolikus, võtke ühendust Ooni toega. Kui leke leidub gaasiballooni ventiilis, võtke ühendust oma gaasitarnijaga.
- ⓘ Asendusregulaatorid peavad olema sertifitseeritud EN16129 kohaselt ja voolikud EN16436 kohaselt, maksimumpikkusega 1,5 m.

3.3 Gaasiballooni lahtiühendamine

- Lülitage gaasipõleti juhtnupud asendisse OFF (väljas).
- Keerake regulaatori musta lüliti päripäeva.
- Vajutage regulaatori nuppu, et vabastada see gaasiballooni otsast.
- Asetage tolmukork lahtisele gaasiballooni ventiilile, kui seda ei kasutata.

⚠ HOIATUS!

Kui tunnete mis tahes ajal gaasilõhna, sulgege gaasiballoon või regulaatorventiil, keerake ahju juhtnupud asendisse OFF (väljas) ja kustutage kõik

lahtised leegid.

Ärge kunagi kontrollige lekkeid lahtise leegiga ega proovige testimise ajal põleteid süüdata.

4 Koda 2 Max süütamine

⚠ HOIATUS!

Seiske süütamise ajal küljel. Ärge kunagi vaadake otse ahju suhu ega leeki.



Kui kumbki põleti ei sütti ootuspäraselt, lugege tõrkeotsingu juhendit. Lülitage gaas välja ja oodake 5 minutit, enne kui proovite uuesti süüdata. Töötage ainult juhtnuppude abil; ärge kunagi puudutage

välimisi metallpindu, pitsakivi ega klaasi, kui ahi on sisse lülitatud.

Ahju kasutamisel ja eriti kuuma toiduvalmistamisseadme käsitlemisel kandke kuumakaitsekindaid.

4.1 Süütamine

- Vasakpoolne ketas juhhib vasakpoolset põletit; parempoolne ketas juhhib parempoolset põletit.
 - Lükake ja hoidke ükskõik kumba juhtnuppu sees, pöörates samal ajal aeglaselt vastupäeva, et anda sädet ja gaas süüdata. Kui gaas on süttinud, jätkake leegi säilitamiseks 5 sekundit hoidmist.
 - Veenduge, et gaas on süttinud.
 - Kui jah, siis jätkake punktist 4.3.
 - Kui põleti ei sütti, lülitage seade asendisse OFF (väljas), oodake 5 minutit, seejärel proovige uuesti.
 - Kui põleti ka pärast teist katset ei sütti, lülitage seade asendisse OFF (väljas), oodake 5 minutit ja järgige punkti 4.2.
 - Kui leegid süttivad õigesti, peaksid need välja nägema nagu joonisel.
 - Kui üks või mõlemad põletid on ootamatult kustunud, lugege tõrkeotsingu juhendit.

4.2 Ahju süütamine tikuhoidikuga

- Ärge kunagi vaadake süütamisel otse ahju; seiske alati küljel ja kandke kogu aeg kindaid.
- Kui põletid ei sütti ka pärast mitut katset juhtnuppude abil, võite need tikuga süüdata. Kaasasolev tikuhoidik on kinnitatud juhtpaneeli vastasküljele aluse külge.
 - Kui olete juba proovinud põleteid juhtnuppude abil süüdata, lülitage need asendisse OFF (väljas) ja oodake 5 minutit, kuni gaas hajub.
 - Sisestage tikk tikuhoidikusse, süüdata tikk ja puudutage sellega ahjusuu kaudu ühte põletit.
 - Vajutage põletile vastavat juhtnuppu ja keerake see aeglaselt maksimumini. Põleti peaks kohe süttima.
 - Jätkake juhtnpu vajutamist 5 sekundit pärast süütamist, seejärel vabastage see.
 - Kui põleti ei sütti mõne sekundi jooksul, lülitage juhtnupp välja, oodake 5 minutit ja proovige siis uuesti.

4.3 Gaasipõletite kasutamine

- Keerake vajadusel juhtnuppu, et reguleerida vastavat leeki ja temperatuuri.
 - Gaasipõleti on välja lülitatud.
 - Gaasipõleti on seatud **maksimaalsele** leegile.
 - Gaasipõleti on seatud **minimaalsele** leegile.
- Korrake protsessi (alates punktist 4.1) teise põleti süütamiseks.
- Väljalülitamiseks vajutage **juhtnupp sisse** ja pöörake seda päripäeva, kuni see peatub ja vastav leek kustub.

4.4 Ahju ettevalmistamine

- Enne esmakordset küpsetamist peate oma ahju ette valmistama.
 - Kätt ahju sisse pannes kandke alati kindaid.
- Selleks käituge ahju 30 minutit maksimumtemperatuuril.
 - Lülitage ahi välja ja laske sel täielikult jahtuda, seejärel pühkige sisemust kuivade paberrätikutega.

4.5 Ahju väljalülitamine

- Pärast ettevalmistust või küpsetamist väljalülitamiseks vajutage juhtnupp sisse ja pöörake seda päripäeva, kuni see peatub ja vastav leek kustub. Korrake seda mõlema põleti puhul.
- Lülitage gaasivarustus välja ja ühendage regulaator lahti.

4.6 Küpsetamine ahjus

- Lülitage mõlemad põletid täisvõimsusel sisse, et ahju ja pitsakive vähemalt 30 minutit eelsoojendada.
- Küpsetage ainult pitsat ja muid kuivi leivapõhiseid roogasid otse pitsakivil. Liha, köögiviljade või muude roogade valmistamiseks kasutage Ooni malmpanne ja Ooni panne või muid Ooni poolt heakskiidetud küpsetamistarvikuid.
- Ahi on varustatud kahe sõltumatu põletiga, mis võimaldavad küpsetada ainult ahju ühel küljel, mõlemal küljel samal temperatuuril või mõlemal küljel erineval temperatuuril, et mahutada erinevaid pitsastiile.

! **Ärge kunagi** sirutage kätt ahju, et puhastada pitsakivile langenud toidujääke. Jätke see kõrbema, seejärel eemaldage see, kui ahi on jahtunud. Täiendavate näpunäidete saamiseks vaadake selle juhendi hooldusosas olevat pitsakivi puhastamise protseduuri.

i Pitsakivi temperatuuri täpseks mõõtmiseks soovime tungivalt kasutada Ooni digitaalset infrapunatermomeetrit. Teie pitsakivi kuumeneb aeglasemalt kui ajus olev õhk. (Suurepärase pitsa valmistamiseks vajate mõlema tasakaalu.) Sellepärast on oluline kasutada nii Ooni digitaalset infrapunatermomeetrit kui ka digitaalset temperatuurikeskust, et tagada pitsakivi ja õhutemperatuuride sarnasus.

i Et lugeda kõike, mida peate teadma Koda 2 Maxiga küpsetamise kohta, laadige alla Ooni rakendus.

5 Visiiri paigaldamine (vajadusel)



Skannige videojuhiste vaatamiseks

- Kandke kaitsekindaid ja veenduge, et ahi oleks jahe.
 - Avage hing, kasutades torx-võtit, et kruvi vastupäeva lahti keerata.
 - Viige mõlema käega hoides visiiri parem külg ahjusuu paremas ülanurgas olevasse U-kujulisse kronsteini.
 - Asetage visiiri vasak külg vasakpoolse hinge süvendisse.
 - Asetage vasak põial hinge alla ja lükake seda õrnalt ülespoole, kuni see asetseb ahju korpusega ühetasa. Hoidke hinge selles asendis.
 - Kasutage torx-võtit, et hinge lukustamiseks kruvi päripäeva pingutada.
 - Veenduge, et hing on oma kohale lukustatud.

5.1 Visiiri eemaldamine

Sügavpuhastamiseks või ahjus suuremate esemete küpsetamiseks visiiri eemaldamiseks toimige järgmiselt.

- Kandke kaitsekindaid ja veenduge, et ahi oleks jahe.
 - Asetage vasak põial kruvi kohale, et hinge toetada.
 - Kasutage torx-võtit, et kruvi vastupäeva lahti keerata, vabastades hinge.
 - Langetage hing õrnalt vasaku pöidla abil, mis võimaldab visiiril langeda.
 - Tõstke mõlema käega ettevaatlikult visiiri vasakut külge ja tõmmake seda ettepoole, et vabastada visiir paremast kronsteinist.
 - Hinge sulgemiseks asetage vasak põial hinge alla ja lükake seda õrnalt ülespoole, kuni see asetseb ahju korpusega ühetasa. Hoidke hinge paigal ja pöörake kruvi lukustamiseks päripäeva.
 - Veenduge, et hing on oma kohale lukustatud.

6 Hooldusjuhised

▲ HOIATUS!

Ärge kunagi proovige ahju puhastada ega hooldada, kui see on kuum või parajasti kasutusel.

Ahju puhastamisel kandke alati kindaid.

Ärge kasutage ahju mis tahes osa puhastamiseks abrasiivseid puhastusvahendeid ega küürimispatju.

Ärge kasutage värvitud pindadel keemilisi puhastusvahendeid.

Olge ahju sisemuse puhastamisel ettevaatlik, sest seal võib olla teravaid servi.

Õues hoides katke ahi alati kinni.

6.1 Sisemuse puhastamine

- Pärast iga kasutamist lülitage ahi välja ja laske sellel täielikult jahtuda, enne kui pühite kuivade paberrätikutega sisepindu ja piki põleti torusid.
- Kui klaasvisiir on määrdunud, saate seda niiske lapi või kuiva paberrätiku abil ettevaatlikult puhastada. Raskestipuhastatavate plekkide korral eemaldage visiir vastavalt kaasasolevatele juhistele (punkt 5.1).

6.2 Väljast puhastamine

- Koda 2 Maxi väliskesta võib sooja seebiveega pühkida ja kohe kuivatada. Vältige abrasiivseid puhastusvahendeid või tugevate kemikaalidega puhastusvahendeid.
- Kuivatage ahi kohe ja katke see Koda 2 Max katttega.

6.3 Pitsakivide puhastamine

! **Ärge kunagi** kasutage pitsakividel keemilisi puhastusvahendeid ega seepe. **Ärge kunagi** tehke pitsakive märjaks.

Pitsakive pole vaja pesta; on täiesti normaalne, et nende välimus aja jooksul muutub.

- Lülitage ahi täisvõimsusel 45 minutiks sisse ilma selles küpsetamata. Pitsakivi puhastub kõrgel temperatuuril ise ja kõik toidujäägid või osakesed muutuvad tuhaks.
- Laske ahjul täielikult jahtuda, seejärel pühkige tuhk Ooni pitsaahju harjaga ära. Märkus: Teie ahju pitsakivid on sümmeetrilised ja kahepoolsed, nii et saate neid kasutuskordade vahel ümber pöörata (kui need on jahtunud) ja järgmisel korral küpsetades kõik tõrksad jäägid alt ära põletada.

6.4 Süütepatarei vahetamine

- Süütepatarei pesa asub tagumise jala sees.
 - Keerake kork vastupäeva lahti, et eemaldada vana patarei ja asendada see uuega, pöörates tähelepanu +/- suundadele.
 - Keerake kork päripäeva tagasi.
 - Körvaldage vana aku ohutult.
- i** Kui hoiustate ahju kauem kui kuu aega, eemaldage patarei.

Saate pikendada oma 1-aastase garantii tasuta 5 aastani*, kui registreerite oma toote aadressil ooni.com/warranty 60 päeva jooksul pärast ostmist.*

*Kehtivad tingimused

Tõrkeotsing

Probleem	Võimalik põhjus	Lahendus
Ahi ei sütti	<ol style="list-style-type: none"> Vale seadistus. Ebapiisav gaasivool. Regulaator on valesti ühendatud. Süüde ei anna sädet. Säde või kuuldav klõps on olemas, kuid gaas ei sütti. 	<ol style="list-style-type: none"> Veenduge, et ahi oleks seadistatud 1. punkti järgi. Veenduge, et gaasiballoon sisaldab kütust ja on püstasendis; tühi või peaaegu tühi balloon võib toimivust mõjutada. Kontrollige, kas gaasivoolikus pole murdekohti. Veenduge, et regulaator on korralikult gaasiballooni külge ühendatud. Kontrollige, kas süütepatarei on olemas, õigesti sisestatud ja täis (punkt 1.2). Veenduge, et süütekaabel on korralikult sisestatud (punkt 1.1). Palun võtke ühendust Ooni klienditoega. Vajadusel saate süüdata ka tikku ja tikuhoidikuga (punkt 4.2).
Ahju põletid süttivad, kuid ei jää põlema.	<ol style="list-style-type: none"> Leegi kontrolliseadis (FSD) ei tööta. FSD termopaar on määratud. FSD termopaar on defektne. 	<ol style="list-style-type: none"> Järgige täpselt süütamise samme (punkt 4). Vajutage ja hoidke juhtnuppu vähemalt 5 sekundit pärast süütamist all, et lülitada sisse leegi kontrolliseadis (FSD). Lülitage gaasivarustus välja, oodake, kuni ahi jahtub, puhastage FSD termopaari õrnalt niiske lapiga ja laske sellel enne uuesti süütamist täielikult kuivada. (Võimalik, et peate visiiri eemaldama, et sellele oleks lihtsam juurde pääseda.) Kui sammud 1 ja 2 probleemi ei lahenda, võtke ühendust Ooni klienditoega.
Ahi ei lähe piisavalt kuumaks.	<ol style="list-style-type: none"> Ebapiisav gaasivool. Gaasiballooni/regulaatori rõhk. Ahju seadistamine ja paigutus. Ilmastikutingimused. Gaasipõleti põleb ebakorrektselt (tavaliselt kaasneb sellega mürisev heli). Visiir on eemaldatud. 	<ol style="list-style-type: none"> Veenduge, et gaasiballoon sisaldab kütust ja on püstasendis; tühi või peaaegu tühi balloon võib toimivust mõjutada. Kontrollige, kas gaasivoolikus pole murdekohti. Valige sobiv gaasiballoon (punkt 3) ja regulaatori rõhk (vastavalt andmesildile). Vaadake seadistusjuhiseid (1. samm). Kasutage ahju tuule eest kaitstud kohas või vähemalt asetage see nii, et ahjusuu ei paikneks tuule suunas. Eelsoojendamise aega ja maksimumtemperatuuri võivad mõjutada ka asukoht ja ilmastikutingimused. Reguleerige eeldatavat eelsoojendamise aega, arvestades erinevad keskkonningimusi. Kui teie ahi on kokku puutunud niiskuse või külmaga, võib eelkuumutamine kauem aega võtta. Hoidke ahju veekindla katte all ja tooge pitsakivid tuppa, kui ahju pikema aja jooksul ei kasutata. Järgige gaasipõleti väljalülitamise juhiseid, oodake 5 minutit, seejärel taaskäivitage ahi (punkt 4.1). Eelsoojendamise aega ja maksimumtemperatuuri võib mõjutada ilma visiiritähtsuse. Paigaldage see tagasi, et tagada õige temperatuuri saavutamine.
Liiga tahmane leek / tahm ahju sisemusel ja visiiril.	<ol style="list-style-type: none"> Toidujääkide põlemine. Vale seadistus või mitteühilduv gaasiballoon või regulaator. Ummistunud gaasi ventuuri toru. 	<ol style="list-style-type: none"> Küpsetamisjuhised leiate Ooni rakendusest. Vältige pitsa sisestamisel liigset jahu kasutamist ja eemaldage pitsakivile langenud toidujäägid. Kasutage küpsetuskordade vahel pitsakivi puhastamiseks Ooni pitsaahju harja. Veenduge, et ahi on õigesti kokku monteeritud ja et kasutate õiget gaasiballooni (punkt 3) ja regulaatorit (vastavalt andmeplaadile). Võtke ühendust Ooni klienditoega.
Küpsetamise probleemid		 <p>Skannige, et laadida alla Ooni rakendus, et lugeda pitsanõuandeid, -retsepte ja tõrkeotsingut.</p> <p>Samuti võite ühendust võtta meie Ooni klienditoega aadressil support.ooni.com</p>

Probleemi püsimisel võtke ühendust Ooni klienditoega saadressil support.ooni.com.

Model: UU-P2B800 Ooni Koda 2 Max	I3+ (28-30/37)	I3B/P(30)	
Ooni Limited, Unit 5, Ooni Park, 189 West Main Street, Broxburn, EH52 5LH, UK	Butane	Propane	Butane, propane or their mixture
	28-30 mbar	37 mbar	28-30 mbar
Read the instructions before using this appliance. Use outdoors only. WARNING: Accessible parts may be very hot, keep young children away. Pizza oven PIN: 2575DP40644	11kw (801 g/h)	11kw (801 g/h)	
	Injector size/Marking: 1.2mm x 2 / 1.20		
	A (outdoors use only)		
	CY, GR, ES, TR	BG, CZ, DK, EE, GR, ES, FI, HR, HU, IL, IS, IT, LT, LV, NL, NO, PL, PT, RO, SA, SE, SI, SK, TR	

התקנה והרכבה

- יש לבחור מיקום ומשטח מתאימים להתקנת התנור.
- השולחן המודולרי הגדול של Ooni או משטח אחר ממתכת או מעץ קשיח יעניקו תמיכה הולמת לתנור. אין להציב את התנור על שולחן פלסטיק או זכוכית. יש לוודא תמיד שהשולחן יכול לשאת את משקל התנור.
- יש לוודא שהמשטח מאפשר הצבת התנור כך שפי התנור הנו הרחק מכיוון הרוח ובמרחק של מטר אחד ממבנים או מחומרים דליקים כלשהם.
- אנחנו ממליצים להציב את התנור כשלוח האבן לאפיית פיצה הוא בגובה של 1.1 מטר מפני הקרקע.
- יש להרים את מכסה האריזה ולהניחו כשהוא הפוך בקרבת מקום.
- יש להרים את החלק המרכזי של האריזה כפלי מעלה והחוצה כדי לשחרר את דפנות האריזה שמגנות על התנור.
- בעזרת אדם אחר, יש להרים בזהירות את התנור מתוך האריזה ולהניחו כשהוא הפוך על מכסה האריזה (כדי להגן על חלקו העליון).
- יש לוודא שכל חומרי האריזה הוסרו מהתנור.
- יש להרים את מחיצת הקרטון בתוך האריזה כדי לחשוף את רגלי התנור, מד הטמפרטורה הדיגיטלי, לוחות האבן לאפיית פיצה ורכיבי הרכבה אחרים.

1.1 חיבור הרגליים

- יש לחבר את הרגל האחורית לבסיס על ידי הברגת ארבעה בורגי M5 (מצורפים) באמצעות שימוש במברג המצורף.
- יש לחבר את כבל סוללת ההצתה לשקע בבסיס התנור, ליד הרגל.
- יש לחבר את שתי הרגליים הקדמיות באמצעות הברגת שלושה בורגי M5 (מצורפים) עבור כל אחת מהרגליים.

1.2 התקנת סוללת ההצתה

- i** תא סוללת ההצתה מותקן בחלל הרגל האחורית.
- יש לסובב את המכסה נגד כיוון השעון ולהתקיין סוללת AA (מסופקת) בהתאם לסימוני הקטבים (+/-).
 - יש להחזיר את המכסה (סיבוב בכיוון השעון).



1.3 יש להתקיין את מד הטמפרטורה הדיגיטלי בהתאם להוראות ההרכבה.

1.4 הנחת לוחות האבן לאפיית פיצה

- i** לוחות האבן לאפיית פיצה כבדים; יש להיזהר מפני היתפסות של אצבעות.
- אם התנור הפוך: בעזרת אדם אחר, יש לסובב בזהירות את התנור למצב זקוף ולאחר מכן להציב אותו במיקומו המיועד.
 - בעזרת שתי הידיים, יש להרים בזהירות את לוח אבן הפיצה הראשון ולהניח אותו כך שהפינה המעוגלת שלו סמוכה לפינה האחורית של התנור. יש להחליק את לוח האבן לאפיית פיצה למקומו, תוך הקפדה לא לשרוט את מדף הפיצה.
 - בעזרת שתי הידיים, יש להרים את לוח האבן השני ולחזור על הפעולה בצדו השני של התנור.
 - כדי להסיר את אחד מלוחות האבן לאפיית פיצה, יש לדחוף אותו באמצעות יד אחת דרך הפתח בבסיס התנור עד שחלקו הקדמי של לוח אבן גבוה מספיק ומאפשר תפיסה והחלקה באמצעות היד השנייה. **לעולם אין** לנסות להסיר את לוחות האבן לאפיית פיצה כשהם חמים.

2 התקנת צינור הגז (במידת הצורך)

- i** התנור כולל צינור הגז ווסת שתואמים לתקן אספקת הגז החל באזור שבו רכשתם את התנור. אם ברשותכם בלון גז חלופי, יש לפנות למוקד התמיכה של Ooni.
- יש לדחוף את הצינור אל תוך הפיה.
 - יש להחליק את המהדק מעל הצינור.
 - יש להדק את המהדק באמצעות מברג מתאים.

מדריך זה מכיל מידע חשוב וחינוי להפעלה בטוחה של התנור. עליכם לקרוא מדריך זה במלואו לפני הרכבה, התקנה, שימוש או טיפול בתנור מדגם **Ooni Koda 2 Max** אי ציות להוראות אלה עלול לגרום נזק לרכוש, שריפה, להוביל לפגיעה גופנית חמורה או אפילו למוות.

יש להחזיק מדריך זה במקום בטוח לצורכי עיון עתידי.

⚠ אזהרה

יש לקרוא את ההוראות לפני השימוש במכשיר ולשמור אותן במקום בטוח לצורכי עיון עתידי.

שימוש בחלל חיצוני בלבד.

חלקים נגישים עלולים להיות חמים מאוד. יש להרחיק מהישג ידם של ילדים.

יש להרחיק מכשיר זה מחומרים דליקים במהלך השימוש בו.

אין להזיז את המכשיר במהלך השימוש.

בתום השימוש, יש לכבות את אספקת הגז בבלון הגז.

יש לנהוג במשנה זהירות בעת חיבור או החלפה של בלון הגז ולעשות זאת הרחק מכל מקור שעלול לגרום להתלקחות.

אין לבצע שינויים כלשהם במכשיר.

המכשיר מתחמם מאוד במהלך השימוש.

לפני כיסוי או הזזת התנור, יש לאפשר לו להתקרר לחלוטין.

יש להפעיל את התנור באמצעות שימוש בפקדים הסיבוביים בלבד; כשהתנור פועל, אין לגעת במשטחי המתכת החיצוניים, במשטח האבן לאפיית פיצה או בלוח הזכוכית.

העת הכנת התנור, יש לוודא שהפתח הקדמי שלו ממוקם הרחק ממשבי רוח. יש להציב את התנור במרחק של מטר אחד לפחות מכל מבנה או חומר דליק. אין להפעיל את התנור במזג אוויר סוער או בשלג כבד.

לפני חיבור בלון גז, יש לסובב את שתי הפקדים הסיבוביים למצב OFF.

יש להקפיד לחבר בלוני גז מהסוגים המצוינים על לוחית הדירוג בלבד.

יש לחבר לתנור בלוני גז במשקל שאינו חורג מ-13 ק"ג, בקוטר מרבי של 315 מ"מ ובגובה מרבי של 580 מ"מ.

יש לוודא שצינור הגז הוא בתקן EN16436 ובאורך מרבי שאינו עולה על 1.5 מטר.

תחילת השימוש

o תכולת האריזה:

a	תנור מדגם Ooni Koda 2 Max	i	מד טמפרטורה דיגיטלי
b	לוח אבן לאפיית פיצה (x2)	j	תושבת הרכבה
c	רגליים קדמיות (x2)	k	אום נעילה
d	רגל אחורית	l	כבל טמפרטורת סביבתית (x2)
e	סוללת AA לאביזר ההצתה	m	מד לבדיקת טמפרטורת מזון (x2)
f	מפתח ברגים	n	סוללות AA (x2)
g	ברגים M5 (x10)	o	ברגים לתושבת
h	מחזיק גפרורים		
	הוראות להרכבת Koda 2 Max		הוראות להתקנת מד הטמפרטורה הדיגיטלי

i **זהירות:** התנור כבד מאוד – נשיאתו, הרכבתו והצבתו במקומו חייבות להתבצע על ידי שני אנשים.

אין להרים את התנור כשלוחות האבן לאפיית פיצה מותקנות בו.

יש להקפיד תמיד להחזיק את התנור מחלקו התחתון של הבסיס **ואף פעם לא** מהחלק הפנימי של המעטפת.

⚠ אזהרה



אין לגעת במשטחי המתכת החיצוניים, בלוחות האבן לאפיית פיצה או בלוח הזכוכית כשהתנור פועל.

יש להשתמש תמיד בכפפות עמידות בחום בעת שימוש בתנור ובעת שימוש בכל מכשיר בישול חם מאוד.

בעת הדלקת התנור, יש לעמוד בצד. אין להביט ישירות אל תוך פי התנור או על הלהבה.
אם אחד המבערים אינו נדלק כנדרש, יש לעיין במדריך לפתרון בעיות. יש להפסיק את הזרמת הגז ולהמתין 5 דקות לפני ניסיון הצתה נוסף. יש לבצע את הצתת הגז באמצעות המתגים הסיבוביים בלבד;

4.1 הצתה



המתג הסיבובי השמאלי שולט במבער השמאלי; המתג הסיבובי הימני שולט במבער הימני.

a. יש לדחוף את המתג הסיבובי פנימה, להחזיק אותו לחוץ ולסובב אותו סיבוב איטי נגד כיוון השעון כדי להצית את הגז. לאחר ההצתה, יש להמשיך להחזיק את המתג לחוץ למשך 5 שניות כדי שהלהבה תמשיך לדלוק.

b. יש לוודא שלהבת הגז דולקת.

i. אם היא דולקת, יש לעבור לסעיף 4.3.

ii. אם המבער אינו נדלק, יש לסובב את הפקד למצב OFF, להמתין 5 דקות ולנסות שוב.

iii. אם המבער אינו נדלק לאחר הניסיון השני, יש לסובב אותו למצב OFF, להמתין 5 דקות ולאחר מכן לבצע את שלב 4.2.

c. אם הלהבות מוצתות כנדרש, הן אמורות להיראות כמו באיור.

d. אם אחד המבערים או שניהם כובו בשגגה, יש לעיין בפתרון הבעיות.

4.2 הצתת הלהבות התנור באמצעות שימוש במחזיק הגפרורים



אין להביט ישירות את תוך התנור בעת הצתת הלהבות; יש להקפיד תמיד לעמוד בצד ולהשתמש כפפות עמידות בחום בעת ביצוע הפעולה.



אם המבערים אינם נדלקים לאחר מספר ניסיונות בעת שימוש בפקדים הסיבוביים, אפשר להצית אותן באמצעות שימוש בגפרורים. מחזיק הגפרורים שמסופק עם התנור מחובר לבסיסו, בצדו הנגדי של לוח הבקרה.

a. אם כבר בוצע ניסיון להדליק את הלהבת המבערים באמצעות הפקדים, יש לסובב אותם למצב OFF ולהמתין 5 דקות עד להתפוגגות הגז.

b. יש להכניס גפרור אל מחזיק הגפרורים, להדליק אותו ולקרר את הלהבה אל אחד המבערים דרך פתח התנור.

c. יש ללחוץ על המתג הסיבובי המתאים וסובב אותו באיטיות עד לנקודת המקסימום. על הלהבת המבער להידלק באופן מיידי.

d. יש להמשיך בלחיצה על המתג הסיבובי למשך 5 שניות (לאחר הדלקת הלהבת המבער) ולאחר מכן לשחרר.

e. אם המבער אינו נדלק תוך מספר שניות, יש לסובב את הפקד למצב OFF, להמתין 5 דקות ולנסות שוב.

4.3 שימוש במבערי הגז

a. יש לסובב את בפקד הסיבובי כדי לכוון את עוצמת הלהבה והטמפרטורה בהתאם לצורך.

i. מבער הגז כבוי.

ii. מבער הגז במצב של להבה **מקסימלית**.

iii. מבער הגז במצב של להבה **מינימלית**.

b. יש לחזור על התהליך (החל מסעיף 4.1) כדי להדליק את הלהבת המבער השני.

c. כדי לכבות, יש ללחוץ על הפקד הסיבובי ולסובב אותו בכיוון השעון עד שהוא נעצר – הלהבה נכבית.

4.4 הכנת התנור לשימוש



יש להכין את התנור לפני הפעלתו בפעם הראשונה.



בעת הכנסת ידיים לחלל התנור, יש להקפיד להשתמש תמיד בכפפות עמידות בפני חום.

a. כדי לעשות זאת, יש להפעיל את התנור בטמפרטורה המרבית למשך 30 דקות.

b. יש לכבות את התנור ולאפשר לו להתקרר לחלוטין ולאחר מכן לנקות את החלל הפנימי באמצעות מגבוני נייר יבשים.

3 חיבור לגז



לפני חיבור בלון גז, יש לסובב את שתי הפקדים הסיבוביים למצב OFF.

⚠ אזהרה

יש לחבר לתנור בלוני גז במשקל שאינו חורג מ-13 ק"ג, בקוטר מרבי של 315 מ"מ ובגובה מרבי של 580 מ"מ.

יש לנהוג במשנה זהירות בעת חיבור או החלפה של בלון הגז ולעשות זאת הרחק מכל מקור שעלול לגרום להתלקחות.

יש להקפיד על מרחק של לפחות 635 מ"מ בין התנור לבלון הגז.

יש להקפיד לחבר בלוני גז מהסוגים המצוינים על לוחית הדירוג בלבד.

וסת גז Patio

זהו רכיב להתקנה באמצעות דחיפה. יש לוודא שהמתג השחור נמצא במצב אופקי ולאחר מכן יש ללחוץ על הפקד שמתחת למתג השחור. יש לדחוף את הווסת על השסתום בבלון הגז עד שהוא ננעל למקומו.

וסת גז POL

זהו רכיב שמוטקן בהברגה נגד כיוון השעון. יש לוודא שהשסתום בבלון הגז סגור לחלוטין ולאחר מכן להבריג את הווסת לשסתום בבלון הגז עד להידוקו.

3.1 חיבור בלון הגז

a. יש לוודא שהשסתום בבלון הגז במצב OFF.

b. יש לוודא שגם הפקדים הסיבוביים בתנור במצב OFF.

c. יש לבדוק את חיבורי השסתום, היציאה ומכלול הווסת. יש להסיר לכלוך ולבדוק את הצינור (כדי לוודא שהוא אינו פגום).

d. יש לחבר את מכלול הווסת לשסתום באמצעות דחיפת הווסת אל השסתום על ידי סיבוב האום נגד כיוון השעון.

e. יש לפתוח את השסתום בבלון הגז באופן מלא באמצעות סיבוב המתג השחור שמוטקן על הווסת נגד כיוון השעון.

3.2 בדיקת דליפות

a. יש להשתמש בתרסיס לזיהוי דליפות או בתמיסה של סבון כלים ומים ולבדוק אם מזוהות דליפות גז בכל פעם שמתבצע חיבור מחדש של רכיב כלשהו או בעת החלפת בלון הגז.

b. יש להשתמש במברשת או בקבוק תרסיס כדי לפזר את התמיסה על החיבורים והווסת. יש לבדוק את צינור הגז באמצעות מריחת התמיסה על כל סדק שמזוהה.

c. במקרה של דליפה, ייראו בועות אוויר. במקרה של דליפה מחיבורי הצינור, יש להדק אותם ולבדוק שוב. אם הדליפה נמשכת או אם מזוהה דליפה מגוף הצינור, אין להפעיל את התנור. יש לפנות למוקד התמיכה של Ooni לקבלת עזרה.

d. אם מזוהה דליפה, אין להפעיל את התנור ויש לנתק את בלון הגז. אם הדליפה היא מהתנור או מהצינור, יש לפנות למוקד התמיכה של Ooni. אם הדליפה היא מהשסתום בבלון הגז, יש לפנות לספק הגז.



במקרה של שימוש בווסתים חלופיים, יש להקפיד שהם מציינים לתקן EN16129 וכי הצינורות מציינים לתקן EN16436 ואורכם המרבי אינו עולה על 1.5 מטר.

3.3 ניתוק בלון הגז

a. יש לסובב את פקדי המבערים למצב OFF.

b. יש לסובב את הפקד השחור על גוף הווסת בכיוון השעון.

c. יש ללחוץ על מתג של גוף הווסת כדי לשחרר אותו מראש בלון הגז.

d. יש להניח את מכסה ההגנה מפני אבק על שסתום בלון הגז החשוף כשאינו בשימוש.

⚠ אזהרה

במקרה של ריח גז, יש לסגור את זרימת הגז מהבלון עצמו או משסתום הווסת, לסובב את הפקדים הסיבוביים למצב OFF ולכבות הלהבות גלויות. אין לבדוק דליפות גז באמצעות שימוש בלהבה או לנסות להדליק את המבערים במהלך הבדיקה.

אזהרה

אין לנסות לנקות את התנור או לטפל בו כשהוא חם או בשימוש. יש להקפיד להשתמש תמיד כפפות בעת ניקוי התנור. אין להשתמש בחומרי ניקוי שוחקים או במטליות ניקוי שוחקות (כגון צמר פלדה) כדי לנקות את התנור או חלקים כלשהם בו.

אין להשתמש בחומרים כימיים כדי לנקות משטחים צבועים. יש לפעול במשנה זהירות בעת ניקוי חלל התנור מכיוון שהקצוות שלו חדים. יש לכסות תמיד את התנור בעת אחסון בחוץ.

6.1 ניקוי חלל התנור

- a. לאחר כל שימוש, יש לכבות את התנור ולאפשר לו להתקרר לחלוטין לפני ניגוב את המשטחים הפנימיים וצינורות המבערים באמצעות מגבוני נייר יבשים.
- b. אם מגן הזכוכית מלוכלך, ניתן לנקות אותו בזהירות באמצעות מטלית לחה או מגבון נייר יבש. במקרה של כתמים קשים לניקוי, יש להסיר את המגן בהתאם להוראות המוצרפות (שלב 5.1).

6.2 ניקוי מעטפת התנור

- a. ניתן לנקות את חלקי החיצוני של התנור Koda 2 Max באמצעות תמיסת מים וסבון פושרת ולייבש מיד. יש להימנע משימוש בחומרי ניקוי שוחקים או בחומרי ניקוי שמכילים כימיקלים חריפים.
- b. יש לייבש מיד ולכסות באמצעות הכיסוי של Koda 2 Max.

6.3 ניקוי לוחות האבן לאפיית פיצה

- !** **אין להשתמש** בחומרי ניקוי כימיים או בסבון בעת ניקוי לוחות האבן לאפיית פיצה. **אין** לנקות את לוחות האבן לאפיית פיצה באמצעות מים. אין צורך לשטוף את לוחות האבן לאפיית פיצה; שינוי המראה שלהם לאורך זמן הוא תופעה רגילה.
- a. יש להפעיל את התנור בעוצמה מלאה למשך 45 דקות מבלי לבשל בו. לוחות האבן לאפיית פיצה יתנקו באופן עצמי בטמפרטורות גבוהות וכל שריירי המזון או פסולת כלשהי יהפכו לאפר.
- b. יש לאפשר לתנור להתקרר לחלוטין ולאחר מכן להבריש את האפר באמצעות המברשת לתנור פיצה מתוצרת Ooni. הערה: לוחות האבן לאפיין פיצה הם סימטריים ודו צדדיים, לכן ניתן להפוך אותם בין שימושים (לאחר שהם מתקררים) ולשרוף שריירים עקשניים מהדופן התחתון בפעם הבאה שמתבצעת אפיה.

6.4 החלפת סוללת ההצתה

- a. תא סוללת ההצתה מותקן בחלל הרגל האחורית.
- b. יש לשחרר את המכסה נגד כיוון השעון כדי להסיר את הסוללה הישנה ולהחליף אותה בחדשה, תוך הקפדה על הקטבים (+/-).
- c. יש להבריג את המכסה למקומו (עם כיוון השעון).
- d. יש להשליך את הסוללה הישנה.
- i** אם התנור מאוחסן לפרק זמן שעולה על חודש אחד, יש להסיר את הסוללה.

ניתן להאריך את האחריות לשנה אחת לפרק זמן של 5 שנים* ללא תוספת תשלום בעת רישום המוצר בכתובת ooni.com/warranty לא יאוחר מ-60 יום ממועד הרכישה.*

בכפוף לתנאים והתניות*

4.5 כיבוי התנור

- a. כדי לכבות את התנור לאחר תהליך ההכנה או בישול, יש ללחוץ על הפקד הסיבובי ולסובב אותו בכיוון השעון עד שהוא נעצר – הלהבה נכבית. יש לחזור על הפעולה עבור שני המבערים.
- b. יש להפסיק את אספקת הגז ולנתק את הווסת.

4.6 בישול בתנור

- a. יש להפעיל את שני המבערים במלוא העוצמה כדי לחמם מראש את התנור ואת לוחות האבן לאפיית פיצה למשך 30 דקות לפחות.
- b. יש להשתמש בלוחות האבן לאפיית פיצה ומנות יבשות אחרות המבוססות על לחם. כדי לבשל בשר, ירקות או מאכלים אחרים, יש להשתמש במחבתות מברזל יצוק ובמחבתות מתוצרת Ooni או כלי בישול אחרים מאושרים על ידי Ooni.
- c. התנור כולל שני מבערים עצמאיים, המאפשרים בישול בצד אחד בלבד, בשני הצדדים באותה טמפרטורה או בשני הצדדים בטמפרטורות שונות, כדי להבטיח התאמה מושלמת למאפי פיצה בסגנונות שונים.

!

לעולם אין להכניס יד לחלל התנור כדי לסלק שריירי מזון מלוחות האבן לאפיית פיצה. יש לאפשר להם להישרף ולאחר מכן, כשהתנור קר, לסלק אותם. לקבלת עצות נוספות, יש לעיין בהליך הניקוי של לוחות האבן לאפיין פיצה בסעיף התחזוקה במדריך זה.

i

אנחנו ממליצים להשתמש במדחום אינפרה-אדום דיגיטלי מתוצרת Ooni כדי לבצע מדידה מדויקת של טמפרטורת לוחות האבן לאפיית פיצה. לוחות האבן לאפיין פיצה תתחמם לאט יותר מהאוויר בחלל התנור. (כדי לאפות פיצה נהדרת, נדרש איזון בין שניהם.) לכן חשוב להשתמש במדחום אינפרה-אדום דיגיטלי מתוצרת Ooni ובמד הטמפרטורה הדיגיטלי כדי להבטיח שהטמפרטורה של לוחות האבן לאפיית פיצה וטמפרטורות האוויר דומות.

i

לקבלת כל המידע הדרוש לגבי בישול ואפייה באמצעות התנור Koda 2 Max, אנחנו ממליצים להוריד את האפליקציה Ooni.

5 התקנת המגן (במידת הצורך)



יש לסרוק כדי לצפות בסרטון ההדרכה

- !** יש להשתמש בכפפות עמידות בחום ולוודא שהתנור קר.
- a. יש לשחרר בורגי הציר באמצעות מפתח הברגים, תוך סיבוב נגד כיוון השעון.
- b. בעזרת שתי הידיים, יש להשחיל את צדו הימני של המגן אל תוך התושבת בצורת U בפניה הימנית העליונה של פי התנור.
- c. יש להציב את צדו השמאלי של המגן במגרעת שבציר השמאלי.
- d. יש להניח את האגודל השמאלי מתחת לציר ולדחוף אותו בעדינות כלפי מעלה, עד שהוא משוטח עם גוף התנור. יש להחזיק את הציר במצב הזה.
- e. יש להשתמש במפתח הברגים כדי להדק את הבורג בכיוון השעון, עד לנעילת הציר.
- f. יש לוודא שהציר נעול למקומו.

5.1 הסרת המגן


לביצוע ניקוי יסודי או בישול של פריטים גדולים יותר בתנור, יש לבצע את השלבים הבאים כדי להסיר את המגן:

!

יש להשתמש בכפפות עמידות בחום ולוודא שהתנור קר.

- a. יש להניח את האגודל השמאלי מעל הבורג כדי לתמוך בציר.
- b. יש לשחרר את בורגי הציר נגד כיוון השעון באמצעות מפתח הברגים.
- c. יש להנמיך בעדינות את הציר באמצעות האגודל השמאלי, כדי להנמיך את המגן.
- d. יש להשתמש בשתי הידיים כדי להרים בזהירות את הצד השמאלי של המגן ולמשוך אותו קדימה, עד לשחרור מהתושבת הימנית.
- e. כדי לסגור את הציר, יש להניח את האגודל השמאלי מתחת לציר ולדחוף אותו בעדינות כלפי מעלה, עד שהוא משוטח עם גוף התנור. יש להחזיק את הציר במקומו ולסובב את הבורג בכיוון השעון, עד לנעילה.
- f. יש לוודא שהציר נעול למקומו.

פתרון בעיות

בעיה	סיבה אפשרית	פתרון
התנור לא נדלק	<ol style="list-style-type: none"> התקנה שגויה. זרימת גז לא מספקת. הווסת מחובר באופן שגוי. אין ניצוץ בעת הצתה. יש ניצוץ או נשמע קליק, אבל הגז לא נדלק. 	<ol style="list-style-type: none"> יש לוודא שהתקנת התנור התבצעה בהתאם למפורט בשלב 1. יש לוודא שבלון הגז לא התרוקן והוא ניצב זקוף; בלון ריק או כמעט ריק עשוי להשפיע על ביצועי התנור. יש לבדוק ולוודא שצינור הגז אינו פגום או מסובב. יש לוודא שהווסת מחובר באופן תקין לבלון הגז. יש לוודא שסוללת ההצתה מותקנת ושמישה (שלב 1.2). יש לוודא שהכבל ההצתה הוכנס באופן תקין (שלב 1.1). יש ליצור קשר עם שירות תמיכת הלקוחות של Ooni. במידת הצורך, ניתן להדליק את הלהבות באמצעות שימוש בגפרורים ובמחזיק הגפרורים (שלב 4.2).
מבערי התנור שלי נדלקים, אבל נכבים מיד.	<ol style="list-style-type: none"> התקן הפיקוח על הלהבות (FSD) אינו מופעל. החיבור התרמי של התקן FSD מלוכלך. החיבור התרמי של התקן FSD פגום. 	<ol style="list-style-type: none"> יש לקרוא בעיון את הוראות שלבי ההצתה (שלב 4). יש לוודא שמתבצעת לחיצה על הפקד הסיבובי למשך 5 שניות לפחות לאחר ביצוע ההצתה כדי להבטיח שהתקן הפיקוח על הלהבות (FSD) מופעל. יש להפסיק את אספקת הגז, להמתין עד שהתנור יתקרר, לנקות בעדינות את התקן החיבור התרמי FSD באמצעות מטלית לחה ולאפשר לו להתייבש לחלוטין לפני ביצוע ניסיון הצתה נוסף. (ייתכן שיהיה צורך לפרק את המגן כדי לאפשר גישה קלה יותר). אם השלבים 1 ו-2 אינם פותרים את הבעיה, יש לפנות לשירות תמיכת הלקוחות של Ooni.
התנור לא מתחמם במידה מספקת.	<ol style="list-style-type: none"> זרימת גז לא מספקת. בלון הגז / לחץ הווסת. התקנת התנור ומיקומו. תנאי מזג האוויר. זרימה הפוכה במבער הגז (בדרך כלל מלווה בצליל שאגה). המגן הוסר. 	<ol style="list-style-type: none"> יש לוודא שבלון הגז לא התרוקן והוא ניצב זקוף; בלון ריק או כמעט ריק עשוי להשפיע על ביצועי התנור. יש לבדוק ולוודא שצינור הגז אינו פגום או מסובב. יש לבחור בלון גז ווסת לחץ מתאימים (שלב 3), בהתאם למצוין על לוחית הדירוג. יש לעיין בהוראות ההתקנה (שלב 1). יש להשתמש בתנור באזור מוגן מפני הרוח או להציבו כך שפי התנור אינו פונה לכיוון זרימת הרוח. פרק הזמן הנדרש לחימום מוקדם והטמפרטורה המקסימלית עשויים להיות מושפעים ממיקום התנור ומתנאי מזג האוויר. יש להתאים את זמן החימום המוקדם הצפוי תוך התחשבות בתנאי סביבתיים משתנים. אם התנור נחשף ללחות או לקור, ייתכן שפרק הזמן הדרוש לחימום מוקדם יהיה ארוך יותר. במקרה של פרקי זמן ארוכים ללא שימוש, יש להקפיד להשתמש בכיסוי העמיד בפני מים כדי להגן על התנור ולאחסן את לוחות האבן לאפיית פיצה בחלל מקורה (יש להסיר אותם מהתנור). יש לבצע את השלבים לכיבוי מבערי הגז, להמתין 5 דקות ולאחר מכן להפעיל שוב את התנור (שלב 4.1). פרק הזמן הדרוש לצרכי חימום מוקדם והטמפרטורה המקסימלית עשויים להיות מושפעים בעת בישול ללא מגן. יש להתקין שוב את המגן כדי שניתן יהיה להגיע לטמפרטורות המבוקשות.
להבה מפויחת באופן מוגזם / כמות פח מוגזמת בחלל התנור ועל המגן.	<ol style="list-style-type: none"> שריפת שיירי מזון. התקנה שגויה או בלון גז / ואו ווסת לא תואמים. שסתום ונטורי חסום. 	<ol style="list-style-type: none"> לקבלת הנחיות בישול, יש לעיין באפליקציה Ooni. יש להימנע משימוש ביותר מדי קמח כדי בעת אפיית הפיצה ולסלק שיירי מזון שנפלים על לוחות האבן לאפיית פיצה. יש להשתמש במברשת לניקוי תנור פיצה מתוצרת Ooni כדי לנקות את לוחות האבן בין פעולות האפייה. יש לוודא שהתנור הותקן כהלכה ושימוש בבלון גז / ואו בווסת תואמים (שלב 3), בהתאם למצוין על לוחית הדירוג. יש לפנות לשירות תמיכת הלקוחות של Ooni.
בעיות בישול		<p>יש לסרוק את הקוד כדי להוריד את האפליקציה Ooni לקבלת עצות לאפיית פיצה, מתכונים ופתרון בעיות.</p> <p>כמו כן, ניתן גם ליצור קשר עם שירות תמיכת הלקוחות של Ooni בכתובת support.ooni.com</p> 

Model: UU-P2B800 Ooni Koda 2 Max	I3+ (28-30/37)	I3B/P(30)
Ooni Limited, Unit 5, Ooni Park, 189 West Main Street, Broxburn, EH52 5LH, UK	Butane	Propane
	28-30 mbar	37 mbar
Read the instructions before using this appliance. Use outdoors only. WARNING: Accessible parts may be very hot, keep young children away. Pizza oven PIN: 2575DP40644	11kw (801 g/h)	11kw (801 g/h)
	Injector size/Marking: 1.2mm x 2 / 1.20	
	A (outdoors use only)	
	CY, GR, ES, TR	BG, CZ, DK, EE, GR, ES, FI, HR, HU, IL, IS, IT, LT, LV, NL, NO, PL, PT, RO, SA, SE, SI, SK, TR

support.ooni.com בכתובת Ooni אם הבעיה נמשכת, יש ליצור קשר עם שירות תמיכת הלקוחות של

Ovaj priručnik sadrži važne informacije bitne za siguran rad vaše pećnice. Pročitajte ovaj priručnik u cijelosti prije sastavljanja, postavljanja, upotrebe ili servisiranja vaše pećnice Ooni Koda 2 Max. Nepoštivanje ovih uputa može rezultirati oštećenjem imovine, požarom, ozbiljnim tjelesnim ozljedama ili čak smrću.

Sačuvajte ovaj priručnik za buduće potrebe.

⚠ UPOZORENJE

Pročitajte upute prije upotrebe uređaja i sačuvajte ih za buduće potrebe.

Koristite samo na otvorenom.

Dostupni dijelovi mogu biti vrlo vrući. Držite malu djecu podalje.

Ovaj uređaj tijekom upotrebe treba držati podalje od zapaljivih materijala.

Nemojte pomicati uređaj tijekom upotrebe.

Nakon upotrebe zatvorite dovod plina na plinskoj boci.

Budite oprezni prilikom postavljanja ili mijenjanja plinske boce i činite to dalje od izvora paljenja.

Nemojte mijenjati uređaj.

Ovaj uređaj je iznimno vruć tijekom upotrebe.

Pustite da se pećnica potpuno ohladi prije nego što je pokrijete ili premjestite.

Upravlajte samo pomoću upravljačkih gumba; nikada ne dodirujte vanjske metalne površine, kamen za pizzu ili staklo dok je pećnica uključena.

Prilikom postavljanja pazite da otvor pećnice bude okrenut na stranu zaklonjenu od vjetra. Postavite pećnicu najmanje jedan metar od bilo koje strukture ili zapaljivog materijala. Nemojte koristiti po olujnom vremenu ili velikom snijegu.

Prije spajanja plinske boce, okrenite oba upravljačka gumba u položaj OFF (Isključeno).

Spajajte samo plinove navedene na natpisnoj pločici.

Koristite samo s bocama do 13 kg, s najvećim promjerom od 315 mm i maksimalnom visinom od 580 mm.

Plinska cijev mora biti certificirana prema EN16436 s maksimalnom duljinom od 1,5 m.

Ako u bilo kojem trenutku osjetite miris plina, zatvorite plinsku bocu ili regulacijski ventil, okrenite upravljačke gumbе na pećnici u položaj OFF (Isključeno) i ugasisite otvoreni plamen.

Ne nosite široku odjeću dok radite ili stojite u blizini pećnice.

Nikada nemojte spremati rezervne plinske boce ispod ili blizu pećnice.

Nikada nemojte provjeravati istjecanja otvorenim plamenom ili pokušavati upaliti plamenike tijekom ispitivanja.

Stanite sa strane kada palite. Nikada ne gledajte izravno u otvor pećnice ili u plamen.

Nikada ne koristite kemijska sredstva za čišćenje ili sapune na površini kamena za pizzu.

Nikada ne nalijevati vodu na kamen za pizzu jer bi mogao puknuti.

Nosite rukavice za zaštitu od topline kada koristite pećnicu i kada rukujete posebno vrućim uređajem za kuhanje.

Nikada ne pokušavajte čistiti ili održavati pećnicu dok je vruća ili u uporabi.

Nemojte koristiti abrazivna sredstva za čišćenje ili spužve za ribanje bilo kojeg dijela pećnice.

Koristite samo službeni pribor i rezervne dijelove ili one koje je odobrio Ooni. Ako to ne učinite, može doći do ozljeda ili štete na vašoj pećnici ili imovini

Ako pećnica ne radi normalno, isključite je i kontaktirajte podršku tvrtke Ooni.

Zamijenite plinsku cijev ako je oštećena ili kada to zahtijevaju nacionalne okolnosti.

Zatvorenim sustavima uređaja ne smije se manipulirati.

Budite oprezni kada koristite ili čistite pećnicu jer mogu biti prisutni oštri rubovi.

Početak rada

o Što je u kutiji:

- a Pećnica Ooni Koda 2 Max
- b Kamen za pizzu (x2)
- c Prednja nogica (x2)
- d Stražnja nogica
- e AA baterija za paljenje
- f Momentni ključ
- g M5 vijci (x10)
- h Držač šibica

- i Čvorište digitalne temperature
- j Nosač za ugradnju
- k Nazubljena matica
- l Kabel za temperaturu okoline (x2)
- m Sonda za hranu (x2)
- n AA baterije (x2)
- o Vijci nosača

Upute za sklapanje Koda 2 Max

Upute za sklapanje čvorišta digitalne temperature

⚠ **OPREZ:** vaša je pećnica vrlo teška i zahtijevat će dvije osobe za podizanje, sastavljanje i postavljanje.

NEMOJTE podizati pećnicu s postavljenim kamenima za pizzu.

UVIJEK držite pećnicu s donje strane osnove, **NIKADA** s unutarnje strane gornjeg kućišta.

1 Postavljanje i sklapanje

- a. Odaberite odgovarajući položaj i površinu za postavljanje.
 - i. Veliki modularni stol Ooni ili neka druga čvrsta metalna ili drvena površina idealna je za potporu pećnice. Ne postavljajte pećnicu na plastične ili staklene stolove. Uvijek provjerite može li stol izdržati težinu pećnice.
 - ii. Površina bi trebala omogućiti da otvor pećnice bude okrenut na stranu zaklonjenu od vjetra i mora biti udaljena jedan metar od bilo koje strukture ili zapaljivog materijala.
 - iii. Preporučujemo postavljanje pećnice tako da kamen za pizzu bude na visini od 1,1 m od tla.
- b. Podignite poklopac s kutije i ostavite ga preokrenutog u blizini.
- c. Podignite i uklonite središnji vanjski dio kutije kako biste omogućili otvaranje pakiranja koje štiti stranice pećnice.
- d. Uz pomoć druge osobe, pažljivo podignite pećnicu i postavite je naopako na poklopac kutije kako biste zaštitili gornji dio. Provjerite je li sva ambalaža uklonjena iz pećnice.
- e. Podignite kartonsku pregradu unutar kutije kako biste otkrili nogice pećnice, čvorište digitalne temperature, kamene za pizzu i druge dijelove za sklapanje.

1.1 Prikvačanje nogica

- a. Prikvačite stražnju nogicu na osnovu s 4 vijka M5 pomoću priloženog odvijača.
- b. Spojite kabel baterije za paljenje u utičnicu na dnu pećnice pokraj nogice.
- c. Prikvačite dvije prednje nogice koristeći po 3 vijka M5.

1.2 Postavljanje baterije za paljenje

- ⓘ Odjeljak baterije za paljenje nalazi se unutar stražnje nogice.
 - a. Odvrnite poklopac u smjeru suprotnom od kazaljke na satu i postavite isporučenu AA bateriju, pazeći na smjerove +/-.
 - b. Vratite poklopac u smjeru kazaljke na satu.

1.3 Pratite upute za sklapanje čvorišta digitalne temperature za postavljanje.

1.4 Umetanje kamena za pizzu

- ⓘ Kameni za pizzu su teški; pazite da ne priklješite prste.
 - a. Ako je vaša pećnica preokrenuta: Uz pomoć druge osobe pažljivo okrenite pećnicu u uspravan položaj, a zatim je postavite na predviđeno mjesto.
 - b. Objema rukama pažljivo podignite prvi kamen za pizzu i postavite ga tako da njegov zaobljeni kut bude okrenut prema stražnjem kutu pećnice. Gurnite kamen za pizzu na mjesto, pazeći da ne ogrebete rub pizze.
 - c. Objema rukama podignite drugi kamen za pizzu i ponovite postupak s druge strane.
 - d. Da biste uklonili kamen za pizzu, jednom rukom gurnite prema gore kroz otvor na dnu pećnice dok se prednji dio kamena za pizzu ne podigne dovoljno visoko da ga možete uhvatiti i izvući drugom rukom. **Nikada** ne pokušavajte ukloniti kamene za pizzu dok su vrući.

2 Ugradnja plinske cijevi (ako je potrebno)

- ⓘ Vaša je pećnica opremljena plinskom cijevi i regulatorom koji su najprikladniji za opskrbu plinom u vašoj regiji kupnje. Ako imate zamjensku plinsku bocu, kontaktirajte podršku tvrtke Ooni.
 - a. Gurnite crijevo na zubac.
 - b. Navucite jubilarnu kopču preko crijeva.
 - c. Pritegnite kopču odgovarajućim odvijačem.

3 Spajanje na plin

- ❗ Prije spajanja plinske boce, okrenite oba upravljačka gumba u položaj OFF (Isključeno).

⚠ UPOZORENJE

Koristite samo s bocama do 13 kg, s najvećim promjerom od 315 mm i maksimalnom visinom od 580 mm.

Uređaj i plinska boca trebaju biti udaljeni najmanje 635 mm.

Budite oprezni prilikom postavljanja ili mijenjanja plinske boce i činite to dalje od izvora paljenja.

Spojite samo plinove koji su navedeni na natpisnoj pločici.

Dvorišni plinski regulator

Ovo je potisni priključak za plin. Provjerite je li crni prekidač u vodoravnom položaju, a zatim pritisnite gumb ispod crnog prekidača. Gurnite regulator na ventil plinske boce dok ne sjedne na mjesto.

POL regulator plina

Ovaj se plinski priključak s navojem okreće u suprotnom smjeru od kazaljke na satu. Uvjerite se da je ventil plinske boce potpuno zatvoren, a zatim pritegnite regulator na spoj ventila plinske boce.

3.1 Spajanje na plinsku bocu

- Ventil plinske boce treba biti u položaju OFF (Isključeno).
- Provjerite jesu li upravljački gumbi pećnice također u položaju OFF (Isključeno).
- Pregledajte spojeve ventila, priključak i sklop regulatora. Uklonite sve ostatke i pregledajte crijevo na moguća oštećenja.
- Spojite sklop regulatora na ventil, guranjem regulatora na ventil i okretanjem ručne matice u smjeru suprotnom od kazaljke na satu.
- Potpuno otvorite ventil cilindra okretanjem crnog prekidača na regulatoru u smjeru suprotnom od kazaljke na satu.

3.2 Ispitivanje na istjecanja

- Pomoću raspršivača za otkrivanje istjecanja ili otopine deterdženta za pranje posuda i vode, provjerite istjecanje plina svaki put kada ponovno spojite priključak ili zamijenite plinsku bocu.
- Upotrijebite četku ili bočicu s raspršivačem za nanošenje otopine na priključke i regulator. Pregledajte plinsko crijevo i nanosite otopinu na sve otkrivene pukotine.
- U slučaju istjecanja, otopina će stvarati mjehuriće. Ako primijetite istjecanje na priključku crijeva, pritegnite priključak i ponovno provjerite na istjecanja. Ako istjecanje i ostane ili otkrijete istjecanje u puknuću crijeva, **nemojte** koristiti pećnicu. Kontaktirajte podršku tvrtke Ooni za pomoć.
- Ako otkrijete istjecanje, **nemojte** koristiti pećnicu; uklonite plinsku bocu. Ako otkrijete istjecanje u pećnici ili crijevu, kontaktirajte podršku tvrtke Ooni. Ako otkrijete istjecanje u ventilu plinske boce, kontaktirajte podršku tvrtke Ooni.

- ❗ Zamjenski regulatori moraju biti certificirani prema EN16129 i crijeva prema EN16436 s maksimalnom duljinom od 1,5 m.

3.3 Odsparanje plinske boce

- Okrenite upravljačke gumbе plinskog plamenika u položaj OFF (Isključeno).
- Okrenite crni prekidač na regulatoru u smjeru kazaljke na satu.
- Pritisnite gumb na regulatoru kako biste ga oslobodili s vrha plinske boce.
- Postavite poklopac protiv prašine na izloženi ventil plinske boce kada nije u upotrebi.

⚠ UPOZORENJE

Ako u bilo kojem trenutku osjetite miris plina, zatvorite plinsku bocu ili regulacijski ventil, okrenite upravljačke gumbе na pećnici u položaj OFF (Isključeno) i ugasisite otvoreni plamen.

Nikada nemojte provjeravati istjecanja otvorenim plamenom ili pokušavati upaliti plamenike tijekom ispitivanja.

4 Osvjetljenje Koda 2 Max

⚠ UPOZORENJE

Stanite sa strane kada palite. Nikada ne gledajte izravno u otvor pećnice ili u plamen.



Ako se bilo koji plamenik ne uspije upaliti prema očekivanjima, pogledajte vodič za rješavanje poteškoća. Isključite plin i pričekajte 5 minuta prije ponovnog paljenja. Upravlajte samo pomoću

upravljačkih gumba; nikada ne dodirujte vanjske metalne površine, kamen za pizzu ili staklo dok je pećnica uključena.

Nosite rukavice za zaštitu od topline kada koristite pećnicu i kada rukujete posebno vrućim uređajem za kuhanje.

4.1 Paljenje

- ❗ Lijevi upravljački gumb kontrolira lijevi plamenik; desni upravljački gumb kontrolira desni plamenik.

 - Pritisnite i držite bilo koji upravljački gumb dok polako okrećete u smjeru suprotnom od kazaljke na satu kako biste iskrili i upalili plin. Kad se upali, nastavite držati 5 sekundi kako biste održali plamen.
 - Provjerite je li se plin upalio.
 - Ako da, idite na 4.3.
 - Ako se plamenik ne upali, prebacite ga u položaj OFF (Isključeno), pričekajte 5 minuta, a zatim pokušajte ponovno.
 - Ako se plamenik ne upali nakon drugog pokušaja, prebacite ga u položaj OFF (Isključeno), pričekajte 5 minuta, a zatim pratite korak 4.2.
 - Ako su plamenovi pravilno upaljeni, trebali bi izgledati kao na slici.
 - Ako se jedan ili oba plamenika slučajno ugase, pogledajte upute za rješavanje poteškoća.

4.2 Paljenje pećnice držačem šibica

- ❗ Nikada ne gledajte izravno u pećnicu dok je palite; uvijek stanite sa strane i uvijek nosite rukavice.
- ❗ Ako se plamenici ne upale nakon nekoliko pokušaja s upravljačkim gumbima, možete ih upaliti šibicom. Isporučeni držač šibica pričvršćen je na osnovu na suprotnoj strani upravljačke ploče.

 - Ako ste već pokušali upaliti plamenike pomoću upravljačkih gumba, prebacite ih u položaj OFF (Isključeno) i pričekajte 5 minuta da sav plin nestane.
 - Umetnite šibicu u držač šibice, zapalite šibicu i prislonite je na jedan od plamenika kroz otvor pećnice.
 - Pritisnite upravljački gumb koji odgovara plameniku i polako ga okrenite na maksimum. Plamenik bi se trebao odmah upaliti.
 - Nastavite gurati upravljački gumb 5 sekundi nakon paljenja, a zatim otpustite.
 - Ako se plamenik ne upali unutar nekoliko sekundi, okrenite upravljački gumb u položaj OFF (Isključeno), pričekajte 5 minuta, a zatim pokušajte ponovno.

4.3 Upotreba plinskih plamenika

- Okrenite upravljački gumb za podešavanje odgovarajućeg plamena i temperature prema potrebi.
 - Plinski plamenik je isključen.
 - Plinski plamenik postavljen je na **maksimalan** plamen.
 - Plinski plamenik postavljen je na **minimalan** plamen.
- Ponovite postupak (počevši od 4.1) da upalite drugi plamenik.
- Da isključite, pritisnite **upravljački gumb** i okrenite ga u smjeru kazaljke na satu dok se ne zaustavi i odgovarajući plamen ne ugasi.

4.4 Zagrijavanje vaše pećnice

- ❗ Prije prvog kuhanja u pećnici morate zagrijati svoju pećnicu.
- ❗ Uvijek nosite rukavice kada stavljate ruku u pećnicu.

 - Da biste to učinili, pustite pećnicu da radi na najjačoj temperaturi 30 minuta.
 - Isključite pećnicu i ostavite je da se potpuno ohladi, a zatim obrišite unutrašnjost suhim papirnatim ručnicima.

4.5 Isključivanje pećnice

- Da isključite nakon zagrijavanja ili kuhanja, pritisnite upravljački gumb i okrenite ga u smjeru kazaljke na satu dok se ne zaustavi i odgovarajući plamen ne ugasi. Ponovite za oba plamenika.
- Zatvorite dovod plina i odvojite regulator.

4.6 Kuhanje u vašoj pećnici

- Uključite oba plamenika na najjaču snagu kako biste prethodno zagrijali pećnicu i kamene za pizzu najmanje 30 minuta.
- Pizzu i druga suha jela od kruha pecite samo izravno na kamenu za pizzu. Za kuhanje mesa, povrća ili drugih jela koristite Ooni asortiman lijevanog željeza i tava ili druge dodatke za kuhanje koje je odobrio Ooni.
- Pećnica je opremljena s dva neovisna plamenika, što vam omogućuje pečenje na samo jednoj strani pećnice, na obje strane na istoj temperaturi ili na obje strane na različitim temperaturama kako biste prilagodili različite stilove pizze.

! **Nikada** ne posežite u pećnicu da uklonite ostatke hrane koji su pali na kamen za pizzu. Ostavite da izgori, pa izvadite kada se pećnica ohladi. Dodatne savjete potražite u postupku čišćenja kamena za pizzu u odjeljku o održavanju ovog priručnika.

i Toplo preporučamo korištenje Ooni digitalnog infracrvenog termometra za precizno mjerenje temperature kamena za pizzu. Vaš kamen za pizzu zagrijavat će se sporije od zraka u pećnici. (Za pripremu odlične pizze, potrebna vam je ravnoteža oba.) Zato je važno koristiti digitalni infracrveni termometar Ooni kao i čvorište digitalne temperature kako biste osigurali da su temperatura vašeg kamena za pizzu i zraka unutar bliskog raspona.

i Za sve što trebate znati o kuhanju s Koda 2 Max preuzmite aplikaciju Ooni.

5 Ugradnja vizira (ako je potrebno)



Skenirajte za video upute

- !** Nosite zaštitne rukavice i provjerite je li pećnica hladna.
- Otvorite šarku pomoću torx ključa da otpustite vijak u smjeru suprotnom od kazaljke na satu.
 - Objema rukama uvucite desnu stranu vizira u držač u obliku slova U, u gornjem desnom dijelu otvora pećnice.
 - Postavite lijevu stranu vizira u udubljenje na lijevoj šarki.
 - Postavite lijevi palac ispod šarke i nježno je gurnite prema gore dok ne legne ravno na tijelo pećnice. Držite šarku u ovom položaju.
 - Pomoću torx ključa pritegnite vijak u smjeru kazaljke na satu, zaključavajući šarku.
 - Provjerite je li šarka zaključana na mjestu.

5.1 Uklanjanje vizira

Za dubinsko čišćenje ili pečenje većih stavki u pećnici, pratite ove korake za uklanjanje vizira:

- !** Nosite zaštitne rukavice i provjerite je li pećnica hladna.
- Postavite lijevi palac iznad vijka kako biste poduprli šarku.
 - Upotrijebite torx ključ da otpustite vijak u smjeru suprotnom od kazaljke na satu, otključavajući šarku.
 - Nježno spustite šarku pomoću lijevog palca, što će omogućiti spuštanje vizira.
 - Objema rukama pažljivo podignite lijevu stranu vizira i povucite prema naprijed kako biste oslobodili vizir iz desnog nosača.
 - Da biste zatvorili šarku, postavite lijevi palac ispod šarke i nježno je gurnite prema gore dok ne legne ravno na tijelo pećnice. Držite šarku na mjestu i okrenite vijak u smjeru kazaljke na satu da biste zaključali.
 - Provjerite je li šarka zaključana na mjestu.

6 Upute za njegu i održavanje

! UPOZORENJE

Nikada ne pokušavajte čistiti ili održavati pećnicu dok je vruća ili u uporabi.

Uvijek nosite rukavice kada čistite pećnicu.

Nemojte koristiti abrazivna sredstva za čišćenje ili spužve za ribanje bilo kojeg dijela pećnice.

Nemojte koristiti kemijska sredstva za čišćenje na obojanim površinama.

Budite oprezni kada čistite unutrašnjost pećnice jer mogu biti prisutni oštri rubovi.

Uvijek pokrijte pećnicu kada je pohranjujete na otvorenom.

6.1 Čišćenje unutrašnjosti

- Nakon svake upotrebe, isključite pećnicu i ostavite je da se potpuno ohladi prije nego što obrišete unutarnje površine i duž cijevi plamenika suhim papirnatim ručnicima.
- Ako je stakleni vizir prljav, možete ga pažljivo očistiti vlažnom krpom ili suhim papirnatim ručnikom. Za tvrdokorne mrlje, uklonite vizir prema priloženim uputama (korak 5.1).

6.2 Čišćenje vanjskog dijela

- Vanjsko kućište Koda 2 Max može se obrisati toplom vodom u kojoj je otopljeno malo sapuna i odmah osušiti. Izbjegavajte abrazivne proizvode za čišćenje ili one s jakim kemikalijama.
- Odmah osušite i prekrijte prekrivačem Koda 2 Max Cover.

6.3 Čišćenje kamena za pizzu

! **Nikada** ne koristite kemijska sredstva za čišćenje ili sapune na površini kamena za pizzu. **Nikada** ne izlažite kamene za pizzu vodi.

Nema potrebe za pranjem kamena za pizzu; sasvim je normalno da se njihov izgled s vremenom mijenja.

- Uključite pećnicu na najjače 45 minuta bez kuhanja u njoj. Kamen za pizzu će se sam očistiti na visokim temperaturama, a svi ostaci hrane ili nečistoće pretvorit će se u pepeo.
- Pustite da se pećnica potpuno ohladi, a zatim uklonite pepeo četkom za pećnicu za pizzu Ooni. Napomena: Vaši kameni za pizzu u pećnici su simetrični i dvostrani, tako da ih možete preokrenuti između upotrebe (kada se ohlade) i spaliti sve tvrdokorne ostatke s donje strane pri sljedećem pečenju.


6.4 Zamjena baterije za paljenje

- Odjeljak baterije za paljenje nalazi se unutar stražnje nogice.
 - Odvrtite poklopac u smjeru suprotnom od kazaljke na satu kako biste uklonili staru bateriju i zamijenili je novom, pazeći na smjerove +/-.
 - Vratite poklopac u smjeru kazaljke na satu.
 - Sigurno odložite staru bateriju.
- i** Ako pećnicu spremate na više od mjesec dana, izvadite bateriju.

Produžite jednogodišnje jamstvo na 5 godina*, besplatno ako registrirate svoj proizvod na ooni.com/warranty unutar 60 dana od kupnje.*

*Primjenjuju se odredbe i uvjeti

Rješavanje poteškoća

Problem	Mogući uzrok	Rješenje
Moja pećnica se ne pali	<ol style="list-style-type: none"> 1. Nepravilno postavljanje. 2. Nedovoljan protok plina. 3. Nepravilno pričvršćen regulator. 4. Nema iskre kod paljenja. 5. Čuje se iskra ili škljocaj, ali plin se ne pali. 	<ol style="list-style-type: none"> 1. Provjerite je li pećnica postavljena u skladu s korakom 1. 2. Provjerite sadrži li plinska boca gorivo i nalazi li se u uspravnom položaju; prazan ili gotovo prazan cilindar može utjecati na rad. Provjerite je li plinska cijev savijena. 3. Provjerite je li regulator ispravno pričvršćen na plinsku bocu. 4. Provjerite je li baterija za paljenje prisutna, pravilno umetnuta i napunjena (korak 1.2). Provjerite je li kabel iskre pravilno umetnut (korak 1.1). 5. Kontaktirajte korisničku podršku tvrtke Ooni. Po potrebi možete zapaliti i šibicom i držačem šibica (korak 4.2).
Plamenici moje pećnice se pale, ali ne ostaju upaljeni.	<ol style="list-style-type: none"> 1. Uređaj za nadzor plamena (eng. Flame Supervision Device, FSD) nije uključen. 2. FSD termoelement je prljav. 3. FSD termoelement je neispravan. 	<ol style="list-style-type: none"> 1. Pažljivo slijedite korake osvjetljenja (korak 4). Obavezno pritisnite i držite upravljački gumb najmanje 5 sekundi nakon paljenja kako biste uključili uređaj za nadzor plamena. 2. Isključite dovod plina, pričekajte da se pećnica ohladi, nježno očistite FSD termoelement vlažnom krpom i ostavite da se potpuno osuši prije ponovnog paljenja. (Možda ćete morati ukloniti vizir radi lakšeg pristupa.) 3. Ako koraci 1 i 2 ne riješe problem, kontaktirajte korisničku podršku tvrtke Ooni.
Moja pećnica se ne zagrijava dovoljno.	<ol style="list-style-type: none"> 1. Nedovoljan protok plina. 2. Plinski cilindar/regulator tlaka. 3. Postavljanje i pozicioniranje pećnice. 4. Vremenski uvjeti. 5. Plinski plamenik ima pozadinsko osvjetljenje (obično popraćeno bučnim zvukom). 6. Vizir je uklonjen. 	<ol style="list-style-type: none"> 1. Provjerite sadrži li plinska boca gorivo i nalazi li se u uspravnom položaju; prazna ili gotovo prazna posuda može utjecati na rad. Provjerite je li plinska cijev savijena. 2. Odaberite odgovarajući plinski cilindar (korak 3) i regulator tlaka (u skladu s natpisnom pločicom). 3. Pogledajte upute za postavljanje (1. korak). Koristite pećnicu na mjestu zaštićenom od vjetra ili je barem postavite tako da su otvori okrenuti na stranu zaklonjenu od vjetra. 4. Vrijeme prethodnog zagrijavanja i maksimalna temperatura mogu ovisiti o lokaciji i vremenskim uvjetima. Prilagodite očekivano vrijeme prethodnog zagrijavanja u skladu s promjenjivim uvjetima okoline. Ako je vaša pećnica bila izložena vlazi ili hladnoći, prethodno zagrijavanje može potrajati duže. Čuvajte pod vodonepropusnim poklopcem i unesite kamene za pizzu unutra kada ih ne koristite duže razdoblje. 5. Pratite korake za isključivanje plinskog plamenika, pričekajte 5 minuta, a zatim ponovno upalite pećnicu (korak 4.1). 6. Kuhanje bez vizira može utjecati na vrijeme prethodnog zagrijavanja i maksimalnu temperaturu. Ponovno instalirajte kako biste bili sigurni da se temperature mogu postići.
Pretjerano čađav plamen/čada na unutrašnjosti pećnice i viziru.	<ol style="list-style-type: none"> 1. Spaljivanje ostataka hrane. 2. Neispravna postavka ili nekompatibilni plinski cilindar ili regulator. 3. Blokiranje plinska venturijeva cijev. 	<ol style="list-style-type: none"> 1. Smjernice za kuhanje potražite u aplikaciji Ooni. Izbjegavajte koristiti previše brašna za pripremu pize i uklonite sve ostatke hrane koji padnu na kamen za pizzu. Koristite četku za pećnicu za pizzu Ooni za čišćenje kamena za pizzu između kuhanja. 2. Provjerite je li vaša pećnica pravilno sklopljena i koristite li ispravnu plinsku bocu (korak 3) i regulator (u skladu s natpisnom pločicom). 3. Kontaktirajte korisničku podršku tvrtke Ooni.
Problemi s kuhanjem		 <p>Skenirajte za preuzimanje aplikacije Ooni za savjete, recepte i rješavanje poteškoća s pizzom.</p> <p>Možete kontaktirati i našu korisničku podršku Ooni na support.ooni.com</p>

Ako problem ostane, kontaktirajte korisničku podršku Ooni na support.ooni.com.

Model: UU-P2B800 Ooni Koda 2 Max	I3+ (28-30/37)	I3B/P(30)	
Ooni Limited, Unit 5, Ooni Park, 189 West Main Street, Broxburn, EH52 5LH, UK	Butane	Propane	Butane, propane or their mixture
	28-30 mbar	37 mbar	28-30 mbar
Read the instructions before using this appliance. Use outdoors only. WARNING: Accessible parts may be very hot, keep young children away. Pizza oven PIN: 2575DP40644	11kw (801 g/h)	11kw (801 g/h)	
	Injector size/Marking: 1.2mm x 2 / 1.20		
	A (outdoors use only)		
	CY, GR, ES, TR	BG, CZ, DK, EE, GR, ES, FI, HR, HU, IL, IS, IT, LT, LV, NL, NO, PL, PT, RO, SA, SE, SI, SK, TR	

Ez a kézikönyv fontos információkat tartalmaz, amelyek elengedhetetlenek a sütő biztonságos üzemeltetéséhez. Az Ooni Koda 2 Max sütő összeszerelése, üzembe helyezése, használata és karbantartása előtt olvassa el ezt a kézikönyvet teljes egészében. Az utasítások be nem tartása anyagi károkat, tüzet, súlyos sérüléseket vagy akár halált is okozhat.

Őrizze meg ezt a kézikönyvet, hogy a jövőben is tájékozódhasson belőle.

▲ VIGYÁZAT

A készülék használata előtt olvassa el az utasításokat, és őrizze meg azt későbbi betekintések céljából.

Csak kültéren használható.

A hozzáférhető részek nagyon forróak lehetnek. Tartsa távol a kisgyermeket a készüléktől.

Használat közben tartsa távol a készüléket gyúlékony anyagoktól.

Használat közben ne mozgassa a készüléket.

Használat után zárja el a gázpalacknál a gázellátást.

A gázpalack csatlakoztatásakor vagy cseréjekor legyen óvatos, és ezt minden gyújtóforrástól távol végezze el.

Ne módosítsa a készüléket.

Ez a készülék használat közben rendkívül forró.

Hagyja a sütőt teljesen kihűlni, mielőtt letakarná vagy elmozdítaná azt.

Kizárólag a vezérlőtárcsák segítségével üzemeltesse; soha ne érintse meg a külső fémfelületeket, a pizzakövet vagy az üveget, amíg a sütő be van kapcsolva.

Az üzembe helyezéskor ügyeljen arra, hogy a sütő szája a széllal ellentétes irányba nézzen. A sütőt legalább egy méterre helyezze el minden építménytől vagy éghető anyagtól. Ne használja viharos időben vagy erős havazás esetén.

A gázpalack csatlakoztatása előtt mindkét vezérlőtárcsát állítsa OFF állásba.

Csak az adattáblán felsorolt gázokat csatlakoztassa.

Csak 13 kg alatti, legfeljebb 315 mm átmérőjű és 580 mm magasságú palackkal használható.

A gáztömlőnek az EN16436 szabvány szerint tanúsított, legfeljebb 1,5 m hosszúságúnak kell lennie.

Ha bármikor gázzagot érez, zárja el a gázpalackot vagy a szabályozószelepet, fordítsa a sütő vezérlőtárcsáit OFF állásba, és oltsa el a nyílt lángokat.

Ne viseljen bő ruházatot, amikor a sütőt kezeli vagy a sütő közelében áll.

Soha ne tároljon tartalék gázpalackokat a sütő alatt vagy a sütő közelében.

Soha ne ellenőrizze a szivárgást nyílt lánggal, és ne próbálja meggyújtani az égőket a vizsgálat során.

A sütő begyújtásakor álljon oldalra. Soha ne nézzen közvetlenül a sütő szájába vagy a lángba.

Soha ne használjon vegyi tisztítószereket vagy szappanokat a pizzakő felületén.

Soha ne öntsön vizet a pizzakőre, mert az megrepedhet.

A sütő használatakor és a különösen forró főzőberendezések kezelésénél viseljen hővédő kesztyűt.

Soha ne kísérelje meg a tisztítást vagy karbantartást, amíg a sütő forró vagy használatban van.

Ne használjon súrolószereket vagy súrolószivacsot a sütő bármely részének tisztításához.

Csak az Ooni által jóváhagyott vagy hivatalos tartozékokat és pótalkatrészeket használjon. Ennek elmulasztása sérülést vagy károkat okozhat a sütőben vagy a tulajdonában.

Ha a sütő rendellenesen működik, kapcsolja ki a sütőt, és lépjen kapcsolatba az Ooni ügyfélszolgálatával.

Cserélje ki a gáztömlőt, ha megsérült, vagy ha a nemzeti szabályozások ezt megkövetelik.

A készülék zárt rendszereit nem szabad módosítani.

A sütő használatakor vagy tisztításakor legyen óvatos, mert éles peremek lehetnek benne.

Első lépések

o Mit rejt a doboz

- a** Ooni Koda 2 Max sütő
- b** Pizzakő (x2)
- c** Elülső láb (x2)
- d** Hátsó láb
- e** AA elem a gyújtáshoz
- f** Torx kulcs
- g** M5 csavarok (x10)
- h** Gyufaszáltartó

- i** Digitális hőmérséklet-szabályozó
- j** Tartókonzol
- k** Szárnyas anya
- l** Környezeti hőmérsékleti kábel (x2)
- m** Élelmiszerszonda (x2)
- n** AA elemek (x2)
- o** Konzolcsavarok

Digitális hőmérséklet-szabályozó összeszerelési útmutató

● **FIGYELEM:** a sütő nagyon nehéz, és két embert igényel az emeléshez, összeszereléshez és elhelyezéshez.

NE emelje fel a sütőt a pizzakövekkel a helyén.

A sütőt **MINDIG** az aljánál fogva fogja meg, **SOHA** a felső burkolat belsejénél.

1 Beállítás és összeszerelés

- a. Válasszon megfelelő helyet és felületet a beállításhoz.
 - i. Az Ooni nagy moduláris asztal vagy egy másik erős fém- vagy fafelület ideális sütőtartónak. Ne állítsa a sütőt műanyag vagy üvegasztalra. Mindig győződjön meg arról, hogy az asztal elbírja a sütő súlyát.
 - ii. A felületnek lehetővé kell tennie, hogy a kemence szája a széllal szemben legyen, és egy méterre kell lennie minden építménytől vagy éghető anyagtól.
 - iii. Javasoljuk, hogy a sütőt úgy helyezze el, hogy a pizzakő a talajtól 1,1 m magasságban legyen.
- b. Emelje le a fedelet a dobozról, és helyezze a fedelet fejjel lefelé a közelébe.
- c. Emelje fel és távolítsa el a középső külső dobozrészét, így a sütő oldalait védő csomagolás kinyílik.
- d. Egy másik ember segítségével óvatosan emelje ki a sütőt, és a teteje védelme érdekében fejjel lefelé helyezze a doboz fedelére. Győződjön meg róla, hogy minden csomagolást eltávolított a sütőről.
- e. Emelje fel a dobozban lévő kartonválasztót, hogy láthatóvá váljanak a sütőlábak, a digitális hőmérséklet-szabályozó, a pizzakövek és az összeszereléshez szükséges egyéb alkatrészek.

1.1 A lábak rögzítése

- a. A hátsó lábat a mellékelt csavarhúzóval, 4x M5 csavarral rögzítse az alaphoz.
- b. Csatlakoztassa a gyújtóakkumulátor kábelét a sütő alján, a láb mellett található aljzatba.
- c. Rögzítse a két elülső lábat 3x M5 csavarral.

1.2 A gyújtóakkumulátor beszerelése

- A gyújtóakkumulátortartó rekesz a hátsó láb belsejében található.
 - a. Csavarja le a kupakot az óramutató járásával ellentétes irányban, és helyezze be a mellékelt AA elemet, ügyelve a +/- irányokra.
 - b. Csavarja vissza a kupakot az óramutató járásával megegyező irányban.

1.3 Az üzembe helyezéshez kövesse a digitális hőmérséklet-szabályozó összeszerelési utasításait.

1.4 A pizzakövek behelyezése

- A pizzakövek nehezek; vigyázzon, nehogy becsípje az ujjait.
 - a. Ha a sütő fejjel lefelé áll: Egy másik ember segítségével óvatosan fordítsa a sütőt függőleges helyzetbe, majd helyezze a tervezett helyre.
 - b. Mindkét kezével óvatosan emelje fel az első pizzakövet, és helyezze úgy, hogy lekerekített sarka a sütő hátsó sarkával szembe nézzen. Csúsztassa a pizzakövet a helyére, ügyelve arra, hogy ne karcolja meg a pizzapultot.
 - c. Mindkét kezét használva vegye fel a második pizzakövet, és ismétlje meg a folyamatot a másik oldalon.
 - d. Bármelyik pizzakő eltávolításához az egyik kezével nyomja felfelé a sütő alján lévő lyukon keresztül a követ, amíg a pizzakő eleje elég magasra nem billen ahhoz, hogy a másik kezével megfogja és kicsúsztassa azt. **Soha** ne próbálja meg eltávolítani a pizzaköveket, amíg azok forróak.

2 A gáztömlő felszerelése (ha szükséges)

- A sütő a vásárlás helye szerinti régióban a gázellátáshoz legmegfelelőbb gáztömlővel és szabályozóval van ellátva. Ha van alternatív gázpalackja, akkor lépjen kapcsolatba az Ooni ügyfélszolgálatával.
 - a. Nyomja a tömlőt a tűskére.
 - b. Csúsztassa át a tömlőre a jubileumi kapcsot.
 - c. Megfelelő csavarhúzóval húzza meg a kapcsot.

3 Csatlakoztatás a gázhoz

⚠ A gázpalack csatlakoztatása előtt mindkét vezérlőtárcsát állítsa OFF állásba.

⚠ VIGYÁZAT

Csak 13 kg alatti, legfeljebb 315 mm átmérőjű és 580 mm magasságú palackkal használható.

A készüléknek és a gázpalacknak legalább 635 mm távolságra kell lennie egymástól.

A gázpalack csatlakoztatásakor vagy cseréjekor legyen óvatos, és a gyújtóforrásoktól távol végezze azt.

Csak olyan gázokat csatlakoztasson, amelyek szerepelnek az adattáblán.

Patio gázszabályozó

Ez egy rányomható gázcsatlakozó. Győződjön meg róla, hogy a fekete kapcsoló vízszintes helyzetben van, majd nyomja meg a fekete kapcsoló alatt található gombot. Nyomja a szabályozót a gázpalack szelepére, amíg az a helyére nem illeszkedik.

POL gázszabályozó

Ez egy óramutató járásával ellentétes menetes gázcsatlakozó. Győződjön meg róla, hogy a gázpalack szelepe teljesen el van zárva, majd csavarja a szabályozót a gázpalack szelepcsatlakozására, amíg szorosan rá nem illeszkedik.

3.1 A gázpalack csatlakoztatása

- A gázpalack szelepének OFF állásban kell lennie.
- Győződjön meg arról, hogy a sütő vezérlőtárcsái is OFF állásban vannak.
- Ellenőrizze a szelepcsatlakozásokat, a portot és a szabályozóegységet. Távolítsa el a törmeléket, és ellenőrizze a tömlő sérüléseit.
- Csatlakoztassa a szabályozóegységet a szelephez úgy, hogy a szabályozót az óramutató járásával ellentétes irányba forgatva a kézi anyát a szelepre nyomja.
- Nyissa ki teljesen a palackszelepet a szabályozó fekete kapcsolójának az óramutató járásával ellentétes irányba történő elfordításával.

3.2 Szivárgásvizsgálat

- Szivárgásérzékelő spray vagy mosogatószappan és víz oldatával ellenőrizze a gázszivárgást minden alkalommal, amikor újra csatlakoztat egy szerelvényt vagy kicseréli a gázpalackot.
- Ecsettel vagy szórófejes flakonnal vigye fel az oldatot a csatlakozásokra és a szabályozóra. Ellenőrizze a gáztömlőt, és vigye fel az oldatot az esetlegesen talált repedésekre.
- Ha szivárgás van, az oldat buborékos lesz. Ha szivárgást észlel a tömlőcsatlakozáson, húzza meg a csatlakozót, és ellenőrizze újra a szivárgást. Ha a szivárgás továbbra is fennáll, vagy a tömlő egy repedésen keresztül szivárog, **ne** használja a sütőt. Forduljon segítségért az Ooni ügyfélszolgálatához.
- Ha szivárgást talál, **ne** használja a sütőt; távolítsa el a gázpalackot. Ha a szivárgás a sütőben vagy a tömlőben található, lépjen kapcsolatba az Ooni ügyfélszolgálatával. Ha a szivárgás a gázpalack szelepénél található, lépjen kapcsolatba a gázszolgáltatóval.

⚠ A csere-szabályozóknak az EN16129 szabványnak, a tömlőknek pedig az EN16436 szabványnak megfelelő tanúsítványokkal kell rendelkezniük, és legfeljebb 1,5 m hosszúságúak lehetnek.

3.3 A gázpalack leválasztása

- Fordítsa a gázégő vezérlőtárcsáit OFF állásba.
- Fordítsa el a szabályozó fekete kapcsolóját az óramutató járásával megegyező irányba.
- Nyomja meg a szabályozó gombját, hogy leoldja azt a gázpalack tetejéről.
- Ha nem használja, helyezze a porvédő sapkát a szabadon lévő gázpalack szelepére.

⚠ VIGYÁZAT

Ha bármikor gázszagot érez, zárja el a gázpalackot vagy a szabályozószelepet, fordítsa a sütő vezérlőtárcsáit OFF állásba, és oltsa el a nyílt lángokat.

Soha ne ellenőrizze a szivárgást nyílt lánggal, és ne próbálja meggyújtani az égőket a vizsgálat során.

4 A Koda 2 Max begyújtása

⚠ VIGYÁZAT

A sütő begyújtásakor álljon oldalra. Soha ne nézzen közvetlenül a sütő szájába vagy a lángba.



Ha valamelyik égő nem gyullad be a várt módon, olvassa el a hibaelhárítási útmutatót. Kapcsolja ki a gázt, és várjon 5 percet, mielőtt újra megpróbálná

begyújtani. Kizárólag a vezérlőtárcsák segítségével üzemeltesse; soha ne érintse meg a külső fémfelületeket, a pizzakövet vagy az üveget, amíg a sütő be van kapcsolva.

A sütő használatakor és a különösen forró főzőberendezések kezelésénél viseljen hővédő kesztyűt.

4.1 Gyújtás

ⓘ A bal oldali tárcsa a bal oldali égőt, a jobb oldali tárcsa a jobb oldali égőt vezéri.

- Nyomja be és tartsa lenyomva bármelyik vezérlőtárcsát, miközben lassan az óramutató járásával ellentétes irányban forgatja a szikra és a gáz meggyújtásához. Miután meggyújtotta, tartsa lenyomva 5 másodpercig, hogy a lángot fenntartsa.
- Ellenőrizze, hogy a gáz begyulladt-e.
 - Ha igen, lépjen a 4.3. pontra.
 - Ha az égő nem gyullad be, kapcsolja OFF állásba, várjon 5 percet, majd próbálja meg újra.
 - Ha az égő a második próbálkozás után sem gyullad be, kapcsolja OFF állásba, várjon 5 percet, majd kövesse a 4.2. lépést.
- Ha a lángok megfelelően meggyulladtak, akkor az ábrán látható módon kell kinézniük.
- Ha valamelyik vagy mindkét égő véletlenül kialudt, kérjük, olvassa el a hibaelhárítást.

4.2 A sütő meggyújtása a gyufaszáلتartóval

⚠ Begyújtáskor soha ne nézzen közvetlenül a sütőbe; mindig álljon oldalra, és végig viseljen kesztyűt.

ⓘ Ha az égők többszöri próbálkozás után sem gyulladnak be a vezérlőtárcsák segítségével, gyufával is meggyújthatja őket. A mellékelt gyufaszáلتartó a vezérlőpanel ellentétes oldalán lévő alaphoz van rögzítve.

- Ha már megpróbálta meggyújtani az égőket a vezérlőtárcsák segítségével, kapcsolja OFF állásba, és várjon 5 percet, amíg a gáz eloszlik.
- Helyezzen egy gyufát a gyufaszáلتartóba, gyújtsa meg a gyufát, és a sütő száján keresztül érintse meg az egyik égőt.
- Nyomja be az égőnek megfelelő vezérlőtárcsát, és lassan fordítsa a maximumra. Az égőnek azonnal be kell gyulladnia.
- A gyújtás után 5 másodpercig nyomja a vezérlőtárcsát, majd engedje el.
- Ha az égő másodperceken belül nem gyullad be, kapcsolja ki a vezérlőtárcsát, várjon 5 percet, majd próbálja meg újra.

4.3 A gázégők használata

- Forgassa el a vezérlőtárcsát a megfelelő láng és hőmérséklet szükség szerinti beállításához.
 - A gázégő ki van kapcsolva.
 - A gázégő **maximális** lángra van állítva.
 - A gázégő **minimális** lángra van állítva.
- Ismételje meg a folyamatot (a 4.1. ponttól kezdve) a második égő meggyújtásához.
- Kikapcsoláshoz nyomja **be a vezérlőtárcsát**, és forgassa az óramutató járásával megegyező irányba, amíg meg nem áll, és a megfelelő láng ki nem alszik.

4.4 A sütő beavatása

- i** A sütőt az első használat előtt be kell avatnia.
- !** Mindig viseljen kesztyűt, amikor a sütőbe teszi a kezét.
 - Ehhez a sütőt 30 percen keresztül a legnagyobb hőmérsékleten kell működtetni.
 - Kapcsolja ki a sütőt, és hagyja teljesen kihűlni, majd törölje le a belsejét száraz papírtörülővel.

4.5 A sütő kikapcsolása

- A beavatás vagy sütés utáni kikapcsoláshoz nyomja be a vezérlőtárcsát, és forgassa az óramutató járásával megegyező irányba, amíg meg nem áll, és a megfelelő láng ki nem alszik. Ismétlje meg ezt mindkét égőnél.
- Zárja el a gázellátást, és húzza ki a szabályozót.

4.6 Sütés a sütőben

- Kapcsolja be mindkét égőt teljes teljesítményre, hogy a sütőt és a pizzaköveket legalább 30 percre előmelegítse.
 - Csak pizzát és más száraz, kenyér alapú ételeket süssön közvetlenül a pizzakövön. Hús, zöldségek vagy más ételek sütéséhez használja az Ooni öntöttvas edényt és Ooni serpenyőket vagy más, az Ooni által jóváhagyott főzési berendezést.
 - A sütő két külön égővel van felszerelve, így süthet csak a sütő egyik oldalán, mindkét oldalon azonos hőmérsékleten, vagy mindkét oldalon különböző hőmérsékleten a különböző pizzastílusokhoz igazodva.
- !** **Soha** ne nyúljon be a sütőbe, hogy eltávolítsa a pizzakőre hullott ételmaradékot. Hagyja kiégni, majd vegye ki, ha a sütő kihűlt. További tippekért olvassa el a pizzakő tisztítására vonatkozó eljárást a kézikönyv karbantartási részében.
 - i** A pizzakő hőmérsékletének pontos méréséhez erősen ajánljuk az Ooni digitális infravörös hőmérő használatát. A pizzakő lassabban melegszik fel, mint a sütőben lévő levegő. (A jó pizza elkészítéséhez mindkettőre szükség van.) Ezért fontos, hogy az Ooni digitális infravörös hőmérőt és a digitális hőmérséklet-szabályozót is használja, hogy a pizzakő és a levegő hőmérséklete közel legyen egymáshoz.
 - i** Ha mindent tudni szeretne a Koda 2 Max készülékkel való sütésről, töltsse le az Ooni alkalmazást.

5 A napellenző felszerelése (ha szükséges)



Videóutasítások keresése

- !** Viseljen védőkesztyűt, és győződjön meg róla, hogy a sütő kihűlt.
 - Nyissa ki a zsanért a torx kulccsal az óramutató járásával ellentétes irányban meglazítva a csavart.
 - Mindkét kezével vezesse a napellenző jobb oldalát a sütőszáj jobb felső részén lévő U alakú tartóba.
 - Helyezze a napellenző bal oldalát a bal oldali zsanér mélyedésébe.
 - Helyezze a bal hüvelykujját a zsanér alá, és óvatosan nyomja felfelé, amíg az a sütőtesthez nem fekszik. Tartsa a zsanért ebben a helyzetben.
 - A torx kulccsal húzza meg a csavart az óramutató járásával megegyező irányba, ezzel rögzítve a zsanért.
 - Győződjön meg róla, hogy a zsanér a helyén van.

5.1 A napellenző eltávolítása

Mélytisztításhoz vagy nagyobb ételek sütéséhez a sütőben, kövesse az alábbi lépéseket a napellenző eltávolításához:

- !** Viseljen védőkesztyűt, és győződjön meg róla, hogy a sütő kihűlt.
 - Helyezze a bal hüvelykujját a csavar fölé, hogy megtámassza a zsanért.
 - A torx kulcsot az óramutató járásával ellentétes irányba mozgatva lazítsa meg a csavart, és ezzel oldja ki a zsanért.
 - Óvatosan engedje le a zsanért a bal hüvelykujjával, ami lehetővé teszi a napellenző leengedését.
 - Mindkét kezével óvatosan emelje meg a napellenző bal oldalát, és húzza előre, hogy kioldja a napellenzőt a jobb oldali tartóból.
 - A zsanér bezárásához helyezze a bal hüvelykujját a zsanér alá, és óvatosan nyomja felfelé, amíg a zsanér a sütőtesthez nem simul. Tartsa a zsanért a helyén, és a csavart az óramutató járásával megegyező irányba forgatva rögzítse.
 - Győződjön meg róla, hogy a zsanér a helyén van.

6 Ápolási és karbantartási utasítások

▲ VIGYÁZAT

Soha ne kísérelje meg a tisztítást vagy karbantartást, amíg a sütő forró vagy használatban van.

A sütő tisztításakor mindig viseljen kesztyűt.

Ne használjon súrolószereket vagy súrolószivacsot a sütő bármely részének tisztításához.

Ne használjon kémiai tisztítószereket a festett felületeken.

A sütő belsejének tisztításakor legyen óvatos, mert éles peremek lehetnek benne.

Kültéri tárolás esetén mindig fedje le a sütőt.

6.1 A belső tér tisztítása

- Minden használat után kapcsolja ki a sütőt, és hagyja teljesen kihűlni, majd száraz papírtörülővel törölje le a belső felületeket és az égőcsövek mentén.
- Ha az üveg napellenző piszkos, óvatosan tisztítsa meg nedves ruhával vagy száraz papírtörülővel. Makacs foltok esetén a mellékelt utasítás szerint távolítsa el a napellenzőt (5.1. lépés).

6.2 A külső felületek tisztítása

- A Koda 2 Max külső burkolata langyos, szappanos vízzel letörölhető és azonnal megszáradhat. Kerülje a súroló hatású vagy durva vegyi anyagokat tartalmazó tisztítószereket.
- Azonnal szárítsa meg, és fedje le a Koda 2 Max takaróval.

6.3 A pizzakövek tisztítása

- !** **Soha** ne használjon vegyi tisztítószereket vagy szappanokat a pizzaköveken. **Soha** ne tegye ki a pizzaköveket víznek.

A pizzaköveket nem kell megmosni; teljesen normális, hogy idővel megváltozik a kinézetük.

- Kapcsolja a sütőt teljes teljesítményre 45 percre anélkül, hogy sütné benne. A pizzakő magas hőmérsékleten öntisztul, és minden ételmaradék vagy törmelék hamuvá válik.
- Hagyja a sütőt teljesen kihűlni, majd egy Ooni pizzasütő kefével söpörje le a hamut.
Megjegyzés: A sütő pizzakövei szimmetrikusak és kétoldalasak, így két használat között (miután kihültek) megfordíthatja őket, és a következő sütéskor leégetheti alulról a makacs maradványokat.


6.4 A gyűjtőakkumulátor cseréje

- A gyűjtőakkumulátortartó rekesz a hátulso láb belsejében található.
 - Csavarja le a kupakot az óramutató járásával ellentétes irányban, hogy eltávolítsa a régi akkumulátort, és cserélje ki egy újra, ügyelve a +/- irányokra.
 - Csavarja vissza a kupakot az óramutató járásával megegyező irányban.
 - Biztonságosan ártalmatlanítsa a régi akkumulátort.
- i** Ha a sütőt egy hónapnál hosszabb ideig tárolja, vegye ki az akkumulátort.

Az 1 éves garanciát ingyenesen 5 évre* hosszabbíthatja, ha a vásárlástól számított 60 napon belül regisztrálja termékét az [ooni.com/warranty](https://www.ooni.com/warranty) oldalon.*

*Az általános szerződési feltételek vonatkozhatnak rá

Probléma	Lehetséges ok	Megoldás
A sütő nem gyullad be	<ol style="list-style-type: none"> Helytelen beállítás. Elégtelen gázáramlás. A szabályozó rosszul van rögzítve. Nincs szikra a gyújtásból. Van szikra vagy hallható kattánás, de a gáz nem gyullad be. 	<ol style="list-style-type: none"> Győződjön meg róla, hogy a sütő az 1. lépésnek megfelelően van beállítva. Győződjön meg róla, hogy a gázpalackban van tüzelőanyag, és az függőleges helyzetben van; az üres vagy majdnem üres palack befolyásolhatja a teljesítményt. Ellenőrizze, hogy a gáztömlő nem csavarodott-e meg. Győződjön meg róla, hogy a szabályozó megfelelően csatlakozik a gázpalackhoz. Ellenőrizze, hogy a gyújtóakkumulátor megvan-e, helyesen van-e behelyezve és fel van-e töltve (1.2. lépés). Ellenőrizze, hogy a gyújtókábel megfelelően van-e behelyezve (1.1. lépés). Kérjük, lépjen kapcsolatba az Ooni ügyfélszolgálatával. Szükség esetén gyufával és a gyufaszájtartóval (4.2. lépés) is meggyújthatja.
A sütő égő begyulladnak, de nem maradnak égve.	<ol style="list-style-type: none"> A lángfelügyeleti eszköz (FSD) nincs bekapcsolva. Az FSD termoelem szennyezett. Az FSD termoelem hibás. 	<ol style="list-style-type: none"> Kövesse szorosan a begyújtási lépéseket (4. lépés). Győződjön meg róla, hogy a gyújtás után legalább 5 másodpercig nyomva tartja a vezérlőtárcsát, hogy a lángfelügyeleti eszköz (FSD) bekapcsoljon. Zárja el a gázellátást, várja meg, amíg a sütő kihűl, óvatosan tisztítsa meg az FSD termoelemet egy nedves ruhával, és hagyja teljesen megszáradni, mielőtt újra meggyújtaná. (Lehet, hogy a könnyebb hozzáférés érdekében el kell távolítania a napellenzőt.) Ha az 1. és 2. lépés nem oldja meg a problémát, lépjen kapcsolatba az Ooni ügyfélszolgálatával.
A sütő nem melegszik fel eléggé.	<ol style="list-style-type: none"> Elégtelen gázáramlás. Gázpalack/-szabályozó nyomás. A sütő beállítása és elhelyezése. Időjárási körülmények. A gázégő visszaég (jellemzően nagy zaj kíséretében). A napellenzőt eltávolították. 	<ol style="list-style-type: none"> Győződjön meg róla, hogy a gázpalackban van tüzelőanyag, és az függőleges helyzetben van; az üres vagy majdnem üres palack befolyásolhatja a teljesítményt. Ellenőrizze, hogy a gáztömlő nem csavarodott-e meg. Válassza ki a megfelelő gázpalackot (3. lépés) és a szabályozó nyomását (az adattábla szerint). Lásd a beállítási útmutatót (1. lépés). Használja a sütőt szélvédett helyen, vagy legalábbis úgy helyezze el, hogy a szája ne a szél irányába álljon. Az előmelegítési időt és a maximális hőmérsékletet a helyszín és az időjárási körülmények befolyásolhatják. Állítsa be a várható előmelegítési időt a változó környezeti feltételek figyelembevételével. Ha a sütő nedvességnek vagy hidegnek volt kitéve, hosszabb ideig tarthat az előmelegítés. Tárolja vízálló fedél alatt, és a pizzaköveket hosszabb használat nélküli időszakokban vigye be a házba. Kövesse a gázégő kikapcsolásának lépéseit, várjon 5 percet, majd gyújtsa be újra a sütőt (4.1. lépés). Az előmelegítési időt és a maximális hőmérsékletet befolyásolhatja a napellenző nélküli sütés. A hőmérséklet elérésének biztosítása érdekében szerelje vissza a készüléket.
Túlzottan kormos láng/korom a sütő belsejében és a napellenzőn.	<ol style="list-style-type: none"> Égő ételmaradék. Helytelen beállítás vagy nem kompatibilis gázpalack vagy szabályozó. Eltömődött gázszellőzőnyílás. 	<ol style="list-style-type: none"> A főzési útmutatót az Ooni alkalmazásban találja. Kerülje a túl sok liszt használatát a pizza elkészítéséhez, és távolítsa el a pizzakőre hulló ételmaradékokat. Használjon Ooni pizza sütőkefét a pizzakő két sütés között történő tisztításához. Győződjön meg róla, hogy a sütő megfelelően van összeszerelve, és hogy a megfelelő gázpalackot (3. lépés) és szabályozót használja (az adattábla szerint). Lépjen kapcsolatba az Ooni ügyfélszolgálatával.
Sütési problémák		 <p>Szkennelje be az Ooni alkalmazás letöltéséhez pizzatippekért, receptekért és hibaelhárításért.</p> <p>Az Ooni ügyfélszolgálatával is kapcsolatba léphet a support.ooni.com oldalon</p>

Model: UU-P2B800 Ooni Koda 2 Max	I3+ (28-30/37)	I3B/P(30)	
Ooni Limited, Unit 5, Ooni Park, 189 West Main Street, Broxburn, EH52 5LH, UK	Butane	Propane	Butane, propane or their mixture
	28-30 mbar	37 mbar	28-30 mbar
Read the instructions before using this appliance. Use outdoors only. WARNING: Accessible parts may be very hot, keep young children away.	11kw (801 g/h)	11kw (801 g/h)	
	Injector size/Marking: 1.2mm x 2 / 1.20		
	A (outdoors use only)		
	CY, GR, ES, TR	BG, CZ, DK, EE, GR, ES, FI, HR, HU, IL, IS, IT, LT, LV, NL, NO, PL, PT, RO, SA, SE, SI, SK, TR	
Pizza oven PIN: 2575DP40644	 2575-24		

Ha a probléma továbbra is fennáll, kérjük, lépjen kapcsolatba az Ooni ügyfélszolgálatával a support.ooni.com címen.

Þessi handbók inniheldur mikilvægar upplýsingar sem eru nauðsynlegar fyrir örugga notkun ofnsins. Lestu þessa handbók að fullu fyrir samsetningu, uppsetningu, notkun eða viðgerð/viðhaldi á Ooni Koda 2 Max ofninum. Ef leiðbeiningum er ekki fylgt gæti það leitt til eignatjóns, eldsvoða, líkamstjóns eða jafnvel dauða.

Geymdu þessa handbók til síðari nota.

⚠ VIÐVÖRUN

Lestu notkunarleiðbeiningarnar áður en þú notar ofninn og geymdu þær til síðari nota.

Notist eingöngu utanhúss.

Aðgengilegir hlutar geta orðið mjög heitir. Haltu litlum börnum í öruggri fjarlægð.

Tækinu verður að halda fjarri eldfimum efnum á meðan verið er að nota það.

Ekki færa tækið úr stað á meðan það er í notkun.

Skrúfaðu fyrir gasið við gaskútinn eftir notkun.

Gættu varúðar þegar þú festir eða skiptir um gashylki og gerðu það fjarri öllum íkveikjuvöldum.

Ekki gera neinar breytingar á tækinu.

Þetta tæki er mjög heitt þegar það er notað.

Leyfðu ofninum að kólna alveg áður en eitthvað er sett yfir hann eða hann er færður til.

Notaðu aðeins stjórnskífurnar; snertu aldrei ytra málmyfirborð, pítsusteini eða gler á meðan ofninn er í gangi.

Við uppsetningu skaltu ganga úr skugga um að opið á ofninum snúi frá vindi. Settu ofninn í að minnsta kosti eins metra fjarlægð frá öllum byggingum eða brennanlegum efnum. Notaðu ekki ofninn í stormi eða miklum snjó.

Snúðu báðum stjórnskífum í stöðuna OFF (slökkt) áður en gashylkið er tengt.

Tengdu aðeins gas sem talið eru upp á merkiplötunni.

Notaðu ofninn aðeins með hylkjum sem eru undir 13 kg, með hámarksþvermál 315 mm og hámarkshæð 580 mm.

Gasslanga verður að vera vottuð samkvæmt EN16436 með 1,5 metra hámarks lengd.

Ef þú finnur lykt af gasi skaltu skrúfa fyrir gashylkið eða þrýstijafnarann, snúa stjórnskífum á ofninum í stöðuna OFF (slökkt) og slökkva opinn eld.

Ekki klæðst víðum fatnaði við notkun eða þegar staðið er nálægt ofninum.

Geymdu aldrei varagashylki undir ofninum eða nálægt honum.

Aldrei skal athuga leka með opinn eld eða reyna að kveikja á brennurum við prófun.

Stattu til hliðar þegar kveikt er á. Horfðu aldrei beint inn í op ofnsins eða á logann.

Notaðu aldrei kemísk hreinsiefni eða sápur á yfirborð pítsusteinsins.

Helltu aldrei vatni á pítsusteininn þar sem hann getur brotnað við það.

Notaðu hitapolna hlífðarhanska þegar ofninn er notaður og við meðhöndlun á sérstaklega heitum eldunartækjum.

Reyndu aldrei að hreinsa ofninn eða gera við hann meðan hann er heitur eða í notkun.

Ekki nota slípanði hreinsiefni eða hreinsisvampa til að hreinsa neinn hluta ofnsins.

Notaðu aðeins viðurkennda aukahluti og varahluti eða sem Ooni hefur samþykkt. Sé það ekki gert getur það valdið meiðslum eða skemmdum á ofninum eða eigninni þinni.

Ef ofninn starfar óeðlilega skaltu slökkva á honum og hafa samband við þjónustuver Ooni.

Skiptið um gasslöngu ef hún er skemmd eða ef það er nauðsynlegt í samræmi við innlendar reglugerðir.

Ekki skal eiga við innsiglið kerfi tækisins.

Farðu varlega við notkun eða hreinsun ofnsins þar sem brúnir kunna að vera skarpar.

Hafist handa

○ Hvað er í kassanum:

a Ooni Koda 2 Max ofn

b Pítsusteinn (x2)

c Framfótur (x2)

d Afturfótur

e AA-rafhlaða fyrir íkveikju

f Torx-lykill

g M5 skrúfur (x10)

h Eldspýtnahaldari

i Stafræn hitamiðstöð

j Festing

k Vængjaró

l Umhverfishitasnúra (x2)

m Kjöthitamælir (x2)

n AA rafhlöður (x2)

o Festiskrúfur

Koda 2 Max Leiðbeiningar um samsetningu

Leiðbeiningar um samsetningu stafrænnar hitamiðstöðvar

❗ **VARÚÐ:** ofninn er mjög þungur og tvær manneskjur þurfa að lyfta honum, setja hann saman og staðsetja.

EKKI lyfta ofninum með pizzusteinum.

Haltu **ALLTAF** á ofninum undir botninum, **ALDREI** innan á efri skelinni.

1 Uppsetning og samsetning

a. Veldu hentuga stöðu og flöt fyrir uppsetningu.

i. Stórt Ooni-einingaborð eða annar traustur flötur úr málm eða víði hentar vel undir ofninn. Ekki setja ofninn á plast- eða glerborð. Gakktu ávallt úr skugga um að borðið þoli þyngd ofnsins.

ii. Á fletinum þarf opið á ofninum að geta snúið frá vindi og vera einn metra frá öðrum hlutum eða eldfimu efni.

iii. Mælt er með því að hafa ofninn þannig að pítsusteininn sé í 1,1 metra hæð frá jörðu.

b. Lyftu lokinu af kassanum og leggðu það á hvolf við hliðina á kassanum.

c. Lyftu miðhluta ytri kassans upp og burt þannig að umbúðirnar sem verja hliðar ofnsins opnast.

d. Fáðu hjálp við að lyfta ofninum varlega upp úr og leggja hann á hvolf á lok kassans til að verja toppinn. Gakktu úr skugga um að allar umbúðir hafi verið fjarlægðar úr ofninum.

e. Lyftu upp millispjaldinu í kassanum til að sjá ofnafæturna, stafrænu hitamiðstöðina, pítsusteinana og aðra hluti fyrir samsetninguna.

1.1 Fæturnir settir á

a. Festu afturfótinn við botninn með 4x M5 skrúfum með meðfylgjandi skrúfjárn.

b. Stingdu snúru kveikjuraflöðunnar í innstunguna á botni ofnsins við hliðina á fætinum.

c. Festu framfæturna tvo með því að nota 3x M5 skrúfur í hvorn.

1.2 Kveikjuraflaðan sett í

❗ Hólf kveikjuraflöðunnar er innan í afturfætinum.

a. Skrúfaðu lokið af rangsælis og hafðu í huga +/- stöðuna þegar þú setur AA-rafhlaðuna í.

b. Skrúfið lokið aftur á réttisælis.

1.3



Fylgdu leiðbeiningum um samsetningu stafrænnar hitamiðstöðvar við uppsetningu.

1.4 Pítsusteinir settir í

❗ Pítsusteinarnir eru þungir. Gætið þess að klemma ekki fingur.

a. Ef ofninn er á hvolfi: Fáðu hjálp við að snúa ofninum varlega í upprétta stöðu og setja hann á tilætlaðan stað.

b. Notaðu báðar hendur til að lyfta fyrsta pítsusteininum varlega og láta hann snúa þannig að ávala hornið snúi að afturhorni ofnsins. Renndu pítsusteininum á sinn stað og gættu þess að rispa ekki pítsasylluna.

c. Taktu seinni pítsusteininn upp með báðum höndum og endurtaktu ferlið á hinni hliðinni.

d. Til að fjarlægja annan hvorn pítsusteininn skaltu nota aðra höndina til að þrýsta upp í gegnum gatið á botni ofnsins þar til framhlið pítsusteinsins er nógu há til að grípa í og renna henni út með hinni hendinni. Reyndu **aldrei** að fjarlægja pítsusteinana á meðan þeir eru heitir.

2 Gasslangan sett á (ef þörf krefur)

❗ Ofninn kemur með gasslöngu og þrýstijafnara sem passa best við gasnotkun á svæðinu þar sem ofninn var keyptur. Ef þú ert með annað gashylki skaltu hafa samband við notendapjónustu Ooni.

a. Ýttu slöngunni á stútinn.

b. Renndu hosuklemmu yfir slönguna.

c. Hertu klemmuna með viðeigandi skrúfjárn.

3 Tenging við gas

❗ Snúðu báðum stjórnskífum í stöðuna OFF (slökkt) áður en gashylkið er tengt.

⚠ VIÐVÖRUN

Notaðu ofninn aðeins með hylkjum sem eru undir 13 kg, með hámarksþvermál 315 mm og hámarkshæð 580 mm.

Fjarlægðin á milli ofnsins og gashylkisins ætti að vera minnst 635 mm.

Gættu varúðar þegar þú tengir eða skiptir um gashylki og gerðu slíkt fjarri öllum ikveikjuvöldum.

Tengdu aðeins gas sem talið er upp á merkiplötunni.

Þrýstijafnari

Þetta er gasfesting með ístungu. Gakktu úr skugga um að svartí rofinn sé í láréttri stöðu og ýttu síðan á hnappinn fyrir neðan svarta rofann. Ýttu þrýstijafnarann á lokann á gashylkinu þar til hann festist á sínum stað.

POL-þrýstijafnari

Þetta er gasfesting sem fest er rangsælis. Gakktu úr skugga um að skrúfað sé alveg fyrir gashylkislokann, skrúfaðu síðan þrýstijafnarann á festingu gashylkislokans og hertu vel.

3.1 Gashylki tengt

- Loki gashylkisins ætti að vera í stöðunni OFF (slökkt).
- Gakktu úr skugga um að stjórnskífur ofnsins séu einnig í stöðunni OFF (slökkt).
- Skoðaðu lokatengingu, tengi og samsetningu þrýstijafnara. Fjarlægjið allt rusl og leitið eftir skemmdum á slöngunni.
- Tengdu samsetningu þrýstijafnara við lokann með því að þrýsta þrýstijafnarann á lokann með því að snúa handrónni rangsælis.
- Opnaðu gashylkislokann með því að snúa svarta rofanum á þrýstijafnarann rangsælis.

3.2 Athugað með leka

- Notaðu úða til að greina leka eða vatnsþynntan uppþvottalög til að athuga hvort gas leki í hvert skipti sem festing er tengd aftur eða skipt er um gashylki.
- Berðu lausnina á tengingar og þrýstijafnara með burstu eða úðaflösku. Skoðaðu gasslönguna og berðu lausnina á allar sprungur sem þú finnur.
- Ef leki er til staðar mun bóla myndast í lausninni. Ef þú sérð leka í slöngubúnaðinum skaltu herða búnaðinn og athuga aftur hvort hann leki. **EKKI** skal nota ofninn ef lekinn er viðvarandi eða ef gas lekur út um sprungu í slöngunni. Hafðu samband við þjónustuver OONI til að fá aðstoð.
- Ef leki finnst skal **ekki** nota ofninn. Fjarlægðu gashylkið. Ef lekinn finnst í ofninum eða slöngunni skaltu hafa samband við notendabjónustu Ooni. Ef lekinn finnst í lokanum á gashylkinu skaltu hafa samband við söluaðila gassins.

❗ Nýir þrýstijafnarar verða að vera vottaðir samkvæmt EN16129 og slöngur samkvæmt EN16436, með hámarkslengd 1,5 m.

3.3 Tenging gashylkis

- Snúðu stjórnskífum gasbrennarans í stöðuna OFF (slökkt).
- Snúðu svarta rofanum á þrýstijafnarann réttisælis.
- Ýtið á hnappinn á þrýstijafnarann til að losa hann frá toppstykki gashylkisins.
- Settu ryklokið á lokann á gashylkinu þegar hann er ekki í notkun.

⚠ VIÐVÖRUN

Ef þú finnur lykt af gasi skaltu skrúfa fyrir gashylkið eða þrýstijafnarann, snúa stjórnskífum á ofninum í stöðuna OFF (slökkt) og slökkva opinn eld.

Aldrei skal athuga leka með opinn eld eða reyna að kveikja á brennurunum við prófun.

4 Kveikt upp í Koda 2 Max

⚠ VIÐVÖRUN

Stattu til hliðar þegar kveikt er á. Horfðu aldrei beint inn í op ofnsins eða á logann.



Skoðaðu leiðbeiningar um úrræðaleit ef ekki kviknar á öðrum hvorum brennarannum eins og búið er við. Skrúfaðu fyrir gasið og bíddu í 5 mínútur áður en þú reynir að kveikja upp aftur. Notaðu aðeins stjórnskífurnar;

snertu aldrei ytra málmyfirborð, pítsustein eða gler á meðan ofninn er í gangi.

Notaðu hitapolna hlífðarhanska þegar ofninn er notaður og við meðhöndlun á sérstaklega heitum eldunartækjum.

4.1 Sviss

- Vinstri skífan stjórnar vinstri brennarannum; hægri skífan stjórnar hægri brennarannum.
- Haltu inni annarri hvorri stjórnskífunni og snúðu henni rólega rangsælis til að gefa neista og kveikja á gasinu. Eftir að kviknar á gasinu skaltu halda skífunni inni í 5 sekúndur til að viðhalda loganum.
- Gangið úr skugga um að kveikt hafi verið á gasinu.
 - Ef svo er skaltu fara í 4.3.
 - Ef ekki kviknar á brennarannum skaltu snúa skífunni í stöðuna OFF (slökkt), bíða í 5 mínútur og reyna svo aftur.
 - Ef ekki kviknar á brennarannum eftir aðra tilraun skaltu snúa skífunni í stöðuna OFF (slökkt), bíða í 5 mínútur og síðan fylgja skrefi 4.2.
- Ef logar kvikna á réttan hátt ættu þeir að líkjast skýringarmyndinni.
- Skoðaðu úrræðaleitina ef slokknar á öðrum eða báðum brennurunum.

4.2 Kveikt á ofninum með eldspýtnahaldaranum

- Horfðu aldrei beint inn í ofninn þegar kveikt er á honum; stattu alltaf til hliðar og notaðu hanska allan tímann.
- Ef ekki kviknar á brennurunum eftir nokkrar tilraunir með stjórnskífum geturðu kveikt á þeim með eldspýtu. Meðfylgjandi eldspýtnahaldari er festur við botninn hinum megin á stjórnborðinu.
 - Ef þú hefur þegar reynt að kveikja á brennurunum með því að nota stjórnskífurnar skaltu snúa skífunni í stöðuna OFF (slökkt) og bíða í 5 mínútur til að lofta út gasinu.
 - Stingdu eldspýtu í eldspýtnahaldarann, kveiktu á eldspýtunni og láttu hana snerta annan brennarann í gegnum opið á ofninum.
 - Ýttu inn stjórnskífunni sem tengist brennarannum og snúðu henni hægt upp í hámark. Það ætti að kvikna strax á brennarannum.
 - Haltu stjórnskífunni áfram inni í 5 sekúndur eftir að kviknar á brennarannum og slepptu svo.
 - Ef brennarinn kviknar ekki innan nokkurra sekúndna skaltu snúa skífunni í stöðuna OFF (slökkt), bíða í 5 mínútur og reyna síðan aftur.

4.3 Notkun á gasbrennurum

- Snúðu stjórnskífunni til að stilla logann og hitastigið eftir þörfum.
 - Gasbrennarinn er á OFF (slökkt).
 - Gasbrennarinn er stilltur á **hámarksloga**.
 - Gasbrennarinn er stilltur á **lágmarksloga**.
- Endurtaktu þetta ferli (frá 4.1) til að kveikja á öðrum brennarannum.
- Til að slökkva á honum skaltu ýta inn **stjórnskífunni** og snúa henni rangsælis alla leið til að slökkva á loganum.

4.4 Verkun ofnsins

- Verka þarf ofninn áður en bakað er í honum í fyrsta skipti.
- ❗ Notaðu alltaf hanska þegar þú setur höndina inn í ofninn.
 - Láttu ofninn vera í gangi á hæsta hita í 30 mínútur til að gera þetta.
 - Slökktu á ofninum og leyfðu honum að kólna alveg og þurrkaðu svo innan úr honum með þurrum pappírspurrum.

4.5 Slökkt á ofninum

- Til að slökkva á honum eftir verkun eða bökun skaltu ýta inn stjórnskífurni og snúa henni rangsælis alla leið til að slökkva á loganum. Endurtakið fyrir báða brennara.
- Slökktu á gasinu og aftengdu þrýstijafnarann.

4.6 Bökun í ofninum

- Stilltu báða brennarana á fullan kraft til að forhita ofninn og pítsusteinana í að minnsta kosti 30 mínútur.
- Bakaðu aðeins pítsur og aðra þurra brauðrétti á pítsusteininum. Veldu úr úrvali af pottum og pönnum frá Ooni eða öðrum eldunarbúnaði sem Ooni hefur samþykkt.
- Ofninn er búinn tveimur aðskildum brennurum sem gerir þér kleift að baka aðeins öðrum megin í ofninum, báðum megin við sama hitastig eða báðum megin við mismunandi hitastig til að geta bakað ólíkar pítsur.

! Aldrei teygja þig inn í ofninn til að hreinsa burt matarleifar sem hafa dottið á pítsusteininn. Leyfðu þeim að brenna og fjarlægðu þær síðan eftir að ofninn hefur kólnað. Skoðaðu hreinsunaraðferðir í viðhaldskafla þessarar handbókar fyrir frekari ráðleggingar.

i Við mælum eindregið með því að nota innrauðan Ooni-hitamæli til að mæla nákvæmt hitastig pítsusteinsins. Pítsusteininn hitnar hægar en loftið inni í ofninum. (Þú þarft jafnvægi þarna á milli til að baka frábæra pítsu.) Þess vegna er mikilvægt að nota stafrænan innrauðan Ooni-hitamæli ásamt stafrænu hitamiðstöðina til að tryggja að hitastig pítsusteinsins og loftsins sé svipað.

i Sæktu Ooni-forritið til að fá allar nauðsynlegar upplýsingar um bakstur með Koda 2 Max.

5 Uppsetning á hlífinni (ef þörf krefur)



Skannaðu til að fá leiðbeiningar í myndbandi

! Notaðu hlífðarhanska og gakktu úr skugga um að ofninn sé kaldur.

- Opnaðu lömina með torx-lyklinum til að losa skrúfuna rangsælis.
- Notaðu báðar hendur til að setja hægri hlið hlífarrinnar inn í U-laga festinguna efst til hægri á opi ofnsins.
- Komdu vinstri hlið hlífarrinnar fyrir inn í skotinu á vinstri löminni.
- Settu vinstri þumalinn undir lömina og ýttu henni varlega upp þar til hún liggur flöt á byrði ofnsins. Haltu löminni í þessari stöðu.
- Notaðu torx-lykilinn til að herða skrúfuna réttisælis og læsa löminni.
- Gakktu úr skugga um að lömin sé föst á sínum stað.

5.1 Hlífin fjarlægð

Fyrir djúphreinsun eða bakstur á stærri hlutum í ofninum skaltu fylgja eftirfarandi skrefum til að fjarlægja hlífina:

! Notaðu hlífðarhanska og gakktu úr skugga um að ofninn sé kaldur.

- Settu vinstri þumalinn fyrir ofan skrúfuna til að styðja við lömina.
- Notaðu torx-lykilinn til að losa skrúfuna rangsælis og losa um lömina.
- Lækkaðu lömina varlega með vinstri þumal fingri, sem gerir kleift að láta hlífina síga.
- Notaðu báðar hendur til að lyfta vinstri hlið hlífarrinnar varlega og togaðu út til að losa hlífina úr hægri festingunni.
- Til að loka löminni skaltu setja vinstri þumalinn undir lömina og ýta henni varlega upp á við þar til hún liggur flöt á byrði ofnsins. Haltu löminni í stöðu og snúðu skrúfunni réttisælis til að læsa.
- Gakktu úr skugga um að lömin sé föst á sínum stað.

6 Leiðbeiningar um umhirðu og viðhald

▲ VIÐVÖRUN

Reyndu aldrei að hreinsa ofninn eða gera við hann meðan hann er heitur eða í notkun.

Notaðu alltaf hanska þegar þú þrífur ofninn.

Ekki nota slípanði hreinsiefni eða hreinsisvampa til að hreinsa neinn hluta ofnsins.

Notaðu ekki kemísk hreinsiefni á málaða fleti.

Farðu varlega við hreinsun ofnsins að innanverðu þar sem brúnir kunna að vera skarpar.

Hyldu alltaf ofninn þegar hann er geymdur utandyra.

6.1 Þrif að innan

- Slökktu á ofninum eftir hverja notkun og leyfðu honum að kólna alveg áður en þú þurrkar innri flötinn og meðfram brennarslóngunum með þurrum pappírspurrkum.
- Ef glerhlífin er óhrein geturðu hreinsað hana gætilega með rökum klút eða þurri pappírspurrku. Fjarlægðu hlífina samkvæmt meðfylgjandi leiðbeiningum (í skrefi 5.1) til að þrifa erfiða bletti.

6.2 Þrif að utan

- Strjúka má yfir ytri skel Koda 2 Max með volgu sápuvatni og þurrka strax á eftir. Forðastu gróf hreinsiefni og sterkar efnasamsetningar.
- Þurrkaðu strax á eftir og hyldu með Koda 2 Max-hlífinni.

6.3 Þrif á pítsasteinum

! Aldrei nota kemísk hreinsiefni eða sápur á pítsusteinana. **Aldrei** láta pítsusteinana komast í snertingu við vatn.

Ekki þarf að þvo pítsusteinana; það er eðlilegt að útlit þeirra breytist með tímanum.

- Kveiktu á ofninum með fullum afköstum í 45 mínútur án þess að elda í honum. Pítsusteininn hreinsar sig sjálfur við háan hita og matarleifar eða rusl verður að ösku.
- Leyfðu ofninum að kólna alveg og burstaðu öskuna síðan með Ooni Pizza ofnbursta. Athugaðu: Pítsusteinarnir ofnsins eru samhverfir og eins báðum megin þannig að þú getur snúið þeim við á milli bakstra (þegar þeir hafa kólnað) og brennt burt erfiðar leifar á undirhlíðinni í næsta skipti sem þú bakar.

6.4 Skipt um rafhlöðu fyrir íkveikju

- Hólf kveikjuraflöðunnar er innan í afturfætinum.
- Skrúfaðu lokið af rangsælis til að fjarlægja gömlu rafhlöðuna og skiptu henni út fyrir nýja og hafðu í huga +/- stöðuna.
- Skrúfaðu lokið aftur á réttisælis.
- Fargaðu gömlu rafhlöðunni á öruggan hátt.

i Taktu rafhlöðuna úr ofninum ef þú ætlar að geyma hann í meira en mánuð.

Framlengdu 1 árs ábyrgðina þína í 5 ár*, þér að kostnaðarlausu þegar þú skráir vöruna þína á [ooni.com/warranty](https://www.ooni.com/warranty) innan 60 daga frá kaupum.*

*Skilmálar eiga við

Bilanagreining

Vandamál	Möguleg orsök	Lausn
Það kviknar ekki í ofninum hjá mér	<ol style="list-style-type: none"> Röng uppsetning. Ófullnægjandi gasstreymi. Þrýstijafnarinn er ekki rétt tengdur. Enginn neisti frá kveikju. Neisti sést eða smellur heyrir en ekki kviknar á gasinu. 	<ol style="list-style-type: none"> Gakktu úr skugga um að ofninn sé stilltur í samræmi við skref 1. Gakktu úr skugga um að gashylkið innihaldi eldsneyti og sé í uppréttri stöðu; tómt eða næstum tómt hylki gæti haft áhrif. Athugaðu hvort gasslangan sé undin. Gakktu úr skugga um að þrýstijafnarinn sé rétt tengdur við gashylkið. Athugaðu hvort kveikjuraflaðan sé til staðar, rétt sett í og með hleðslu (skref 1.2). Gakktu úr skugga um að neistasnúran sé rétt sett á (skref 1.1). Hafðu samband við þjónustudeild Ooni. Þú getur einnig kveikt með eldspýtu og eldspýtnahaldaranum (skref 4.2) ef þörf krefur.
Það kviknar á ofnabrennurunum mínum en það helst ekki kveikt á þeim.	<ol style="list-style-type: none"> Logaeftirlitsbúnaðurinn er ekki virkur. Snertispennunemi logaeftirlitsbúnaðarins er óhrein. Snertispennunemi logaeftirlitsbúnaðarins er bilaður. 	<ol style="list-style-type: none"> Fylgdu kveikjuskrefinu nákvæmlega (skref 4). Gakktu úr skugga um að halda inni stjórnskífunni í að minnsta kosti 5 sekúndur eftir að kveikt er á brennarunum til að virkja logaeftirlitsbúnaðinn. Slökktu á gasinu, bíddu eftir að ofninn kólni, þrífðu FSD-snertispennunemann gætilega með rökum klút og láttu hann þorna að fullu áður en kveikt er aftur undir. (Þú gætir þurft að fjarlægja hlífina til að auðvelda aðgengi.) Ef skref 1 og 2 laga ekki vandamálið skaltu hafa samband við þjónustuver Ooni.
Ofninn minn verður ekki nógu heitur.	<ol style="list-style-type: none"> Ófullnægjandi gasstreymi. Þrýstingur í gashylki/ þrýstijafnara. Uppsetning og staðsetning ofns. Vetrarveður. Gasbrennari kviknar á röngum stað (yfirleitt heyrast drunur) Hlífin hefur verið fjarlægð. 	<ol style="list-style-type: none"> Gakktu úr skugga um að gashylkið innihaldi eldsneyti og sé í uppréttri stöðu; tómt eða næstum tómt hylki gæti haft áhrif. Athugaðu hvort gasslangan sé undin. Veldu viðeigandi gashylki (skref 3) og þrýstijafnara (samkvæmt merkiplötunni). Sjá leiðbeiningar um uppsetningu (skref 1). Notaðu ofninn á svæði sem er í skjóli frá vindum eða komið honum þannig fyrir að opið á ofninum snúi frá vindi. Staðsetning og veðurskilyrði geta haft áhrif á forhitunartíma og hámarkshita. Aðlagðu væntanlegan forhitunartíma til að taka tillit til mismunandi umhverfisaðstæðna. Ef ofninn hefur komist í snertingu við raka eða kulda getur það tekið hann lengri tíma að hitna. Geymdu ofninn undir vatnsheldri ábreiðu og taktu pítsusteinana inn ef ekki á að nota ofninn í langan tíma. Fylgdu skrefunum til að slökkva á gasbrennarunum, bíddu í 5 mínútur og kveiktu síðan aftur á ofninum (skref 4.1). Það getur haft áhrif á forhitunartíma og hámarkshita þegar eldað er án hlífarinnar. Settu hana aftur á til að tryggja að hægt sé að ná réttum hita.
Óhóflega sótugur logi/ söt á innra byrði ofnsins og hlífarinnar.	<ol style="list-style-type: none"> Brenndar matarleifar. Röng uppsetning eða óhentugt gashylki eða þrýstijafnari. Gas stíflað vegna þrengsla. 	<ol style="list-style-type: none"> Bakstursleiðbeiningar er að finna í Ooni-forritinu. Forðastu að nota of mikið af hveiti til að setja pítsuna á og fjarlægðu matarleifar sem falla á pítsusteininn. Notaðu Ooni Pizza ofnbursta til að hreinsa pítsusteininn á milli þess sem ofninn er notaður. Gakktu úr skugga um að ofninn sé rétt settur saman og að notað sé rétt gashylki (skref 3) og þrýstijafnari (samkvæmt merkiplötunni). Hafðu samband við þjónustudeild Ooni.
Vandamál við bakstur		 <p>Skannaðu til að sækja Ooni-forritið til að fá ráðleggingar um pítsur, uppskriftir og gera úrræðaleit.</p> <p>Einnig er hægt að hafa samband við þjónustuver Ooni á support.ooni.com</p>

Ef vandamál er viðvarandi skal hafa samband við þjónustuver Ooni á support.ooni.com.

Model: UU-P2B800 Ooni Koda 2 Max	I3+ (28-30/37)	I3B/P(30)	
Ooni Limited, Unit 5, Ooni Park, 189 West Main Street, Broxburn, EH52 5LH, UK	Butane	Propane	Butane, propane or their mixture
	28-30 mbar	37 mbar	28-30 mbar
Read the instructions before using this appliance. Use outdoors only. WARNING: Accessible parts may be very hot, keep young children away. Pizza oven PIN: 2575DP40644	11kw (801 g/h)	11kw (801 g/h)	
	Injector size/Marking: 1.2mm x 2 / 1.20		
	A (outdoors use only)		
	CY, GR, ES, TR	BG, CZ, DK, EE, GR, ES, FI, HR, HU, IL, IS, IT, LT, LV, NL, NO, PL, PT, RO, SA, SE, SI, SK, TR	

Šiame vadove pateikiama svarbi informacija, būtina saugiam krosnies naudojimui. Perskaitykite visą šį vadovą prieš surinkdami, montuodami, naudodami arba prižiūradami krosnį „Ooni Koda 2 Max“. Jei nesilaikysite šių instrukcijų, galite patirti turtinę žalą, gali kilti gaisras, įvykti sunkus kūno sužalojimas ar net mirtis.

Pasilikite šį vadovą ateičiai.

⚠️ ĮSPĖJIMAS

Prieš naudodami prietaisą, perskaitykite instrukcijas ir pasilikite jas ateičiai.

Naudokite tik lauke.

Prieinamos dalys gali būti labai karštos. Pasirūpinkite, kad maži vaikai būtų atokiai.

Naudojant šis prietaisas turi būti laikomas atokiai nuo degių medžiagų.

Naudodami nejudinkite prietaiso.

Panaudoję išjunkite dujų tiekimą iš dujų baliono.

Būkite atsargūs prijungdami arba keisdami dujų balioną ir tai darykite atokiai nuo bet kokio uždegimo šaltinio.

Nemodifikuokite prietaiso.

Šis prietaisas naudojant yra itin karštas.

Prieš uždegdami arba perkeldami krosnį, palaukite, kol ji visiškai atvės.

Valdykite naudodami tik valdymo ratukus; niekada nelieskite išorinių metalinių paviršių, picos akmens arba stiklo, kai krosnis įjungta.

Pastatydami įsitinkite, kad krosnies anga nukreipta nuo vėjo. Krosnį statykite bent vieno metro atstumu nuo bet kokios konstrukcijos arba degios medžiagos. Nenaudokite audringu oru arba stipriai sningant.

Prieš prijungdami dujų balioną, pasukite abu valdymo ratukus į padėtį OFF (išjungta).

Prijunkite tik tas dujas, kurios išvardytos techninių duomenų plokštelėje.

Naudokite tik su iki 13 kg balionais, kurių didžiausias skersmuo yra 315 mm, o didžiausias aukštis – 580 mm.

Dujų žarna turi būti sertifikuota pagal EN16436, ji turi būti ne ilgesnė nei 1,5 m.

Jei bet kuriuo metu užuodžiate dujų kvapą, uždarykite dujų balioną arba reguliavimo vožtuvą, pasukite krosnies valdymo ratukus į padėtį OFF (išjungta) ir užgesinkite bet kokią atvirą liepsną.

Naudodami krosnį arba prie jos stovėdami nedėvėkite laisvų drabužių.

Niekada nelaikykite atsarginių dujų balionų po krosnimi arba šalia jos.

Niekada neatlikite nuotėkio patikros naudodami atvirą liepsną ir tikrindami nebandykite uždegti degiklių.

Uždegdami stovėkite į šoną. Niekada nežiūrėkite tiesiai į krosnies angą arba liepsną.

Niekada nenaudokite cheminių valiklių arba muilų ant picos akmens paviršiaus.

Niekada nepilkite vandens ant picos akmens, nes dėl to jis gali įtrūkti.

Mūvėkite nuo karščio apsaugančias pirštines, kai naudojate krosnį ir itin karštus kepimo aparatus.

Niekada nebandykite valyti arba prižiūrėti, kai krosnis yra karšta arba naudojama.

Nenaudokite abrazyvinių valiklių arba šveitimo padų, kad išvalytumėte bet kurią krosnies dalį.

Naudokite tik „Ooni“ patvirtintus arba oficialius priedus ir atsargines dalis. Kitaip galite susižeisti arba sugadinti krosnį ar turą.

Jei krosnis veikia neįprastai, išjunkite ją ir susisieki su „Ooni“ pagalbos tarnyba.

Pakeiskite dujų žarną, jei ji pažeista arba kai to reikalauja vietos sąlygos.

Draudžiama manipuliuoti sandariomis prietaiso sistemomis.

Būkite atsargūs naudodami arba valydamis krosnį, nes gali būti aštrių kraštų.

Naudojimo pradžia

o Kas yra dėžėje:

a	Krosnis „Ooni Koda 2 Max“	i	Skaitmeninis temperatūros įtaisas
b	Picos akmuo (x2)	j	Montavimo laikiklis
c	Priekinė kojėlė (x2)	k	Rankinė veržlė
d	Galinė kojėlė	l	Aplinkos temperatūros kabelis (x2)
e	AA baterija uždegimui	m	Maisto zondas (x2)
f	„Torx“ raktas	n	AA baterijos (x2)
g	M5 varžtai (x10)	o	Tvirtinimo varžtai
h	Degtuko laikiklis		
i	Koda 2 Max“ surinkimo instrukcijos		Skaitmeninio temperatūros įtaiso surinkimo instrukcijos

⚠️ **PERSPĖJIMAS:** krosnis yra labai sunki, jai pakelti, surinkti ir pastatyti reikės dviejų žmonių.

NEKELKITE krosnies su joje esančiais picos akmenimis.

VISADA laikykite krosnį už pagrindo apačios, **NIKADA** nelaikykite už vidinės viršutinio gaubto dalies.

1 Sąranka

- Pasirinkite tinkamą vietą ir paviršių krosnies sąrankai atlikti.
 - „Ooni“ didelis modulinis stalas arba kitas tvirtas metalinis ar medinis paviršius idealiai tinka krosniai statyti. Nestatykite krosnies ant plastikinių arba stiklinių stalų. Visada įsitinkite, kad stalas gali išlaikyti krosnies svorį.
 - Krosnies anga turi būti nukreipta nuo vėjo ir turi būti vieno metro atstumu nuo bet kokios konstrukcijos arba degios medžiagos.
 - Rekomenduojame krosnį pastatyti taip, kad picos akmuo būtų 1,1 m aukštyje nuo žemės.
- Nuimkite dangtį nuo dėžės ir padėkite jį apverstą šalia.
- Pakelkite centrinę išorinę dėžės dalį aukštyn ir tolyn, kad atsidarytų krosnies šonus apsauganti pakavimo medžiaga.
- Padėdami kito asmens, atsargiai iškelkite krosnį ir padėkite ją apverstą ant dėžės dangčio, kad apsaugotumėte viršų. Įsitinkite, kad iš krosnies išimta visa pakavimo medžiaga.
- Pakelkite kartono įdėklą dėžės viduje ir raskite krosnies kojeles, skaitmeninį temperatūros įtaisą, picos akmenis ir kitas surinkimo dalis.

1.1 Kojelių pritvirtinimas

- Pritvirtinkite galinę kojelę prie pagrindo keturiais M5 varžtais, naudodami pridėtą atsuktuvą.
- Įkiškite uždegimo baterijos kabelį į lizdą, esantį krosnies pagrinde šalia kojelės.
- Pritvirtinkite dvi priekines kojeles, naudodami po tris M5 varžtus.

1.2 Uždegimo baterijos įdėjimas

- ⓘ Uždegimo baterijos skyrius yra galinės kojelės viduje.
- Atsukite dangtelį prieš laikrodžio rodyklę ir įdėkite pridėtą AA bateriją, atkreipdami dėmesį į +/– kryptis.
 - Vėl užsukite dangtelį pagal laikrodžio rodyklę.

1.3 Sumontuokite skaitmeninį temperatūros įtaisą vadovaudamiesi jo surinkimo instrukcijomis.

1.4 Picos akmenų įdėjimas

- ⓘ Picos akmenys yra sunkūs; būkite atsargūs, kad neprispaustumėte pirštų.
- Jei krosnis apversta: padėdami kito asmens, atsargiai apverskite krosnį į viršų ir pastatykite ją numatytoje vietoje.
 - Abiem rankomis atsargiai pakelkite pirmąjį picos akmenį ir padėkite taip, kad užapvalintas kampas būtų nukreiptas į galinį krosnies kampą. Įstumkite picos akmenį į jam skirtą vietą; būkite atsargūs, kad nesubraižytumėte picos atbrailos.
 - Abiem rankomis pakelkite antrąjį picos akmenį ir pakartokite procesą kitoje pusėje.
 - Norėdami išimti bet kurį picos akmenį, viena ranka stumkite aukštyn per angą krosnies pagrinde, kol picos akmens priekis bus pakankamai aukštai, kad kita ranka galėtumėte jį sugriebti ir ištraukti. **Niekada** nebandykite išimti picos akmenų, kai jie yra karšti.

2 Dujų žarnos vamzdžio montavimas (jei reikia)

- ⓘ Krosnis tiekama su dujų žarna ir regulatoriumi, labiausiai tinkančiais dujoms tiekti regione, kuriame įsigijote. Jei turite kitokį dujų balioną, susisieki su „Ooni“ pagalbos tarnyba.
- Užmaukite žarną ant antgalio.
 - Stumkite spaustuką ant žarnos.
 - Priveržkite spaustuką tinkamu atsuktuvu.

3 Prijungimas prie dujų

❗ Prieš prijungdami dujų balioną, pasukite abu valdymo ratukus į padėtį OFF (išjungta).

⚠️ ĮSPĖJIMAS

Naudokite tik su iki 13 kg balionais, kurių didžiausias skersmuo yra 315 mm, o didžiausias aukštis – 580 mm.

Prietaisas ir dujų balionas turi būti mažiausiai 635 mm atstumu vienas nuo kito.

Būkite atsargūs prijungdami arba keisdami dujų balioną ir darykite tai atokiai nuo bet kokių uždegimo šaltinių.

Prijunkite tik tas dujas, kurios išvardytos techninių duomenų plokštelėje.

Terasos dujų reguliatorius

Tai yra greitoji („push-on“) dujų jungtis. Įsitinkite, kad juodas jungiklis yra horizontalioje padėtyje, tada paspauskite mygtuką, esantį po juodu jungikliu. Stumkite reguliatorių ant dujų baliono vožtuvo, kol jis užsifiksuos.

POL dujų reguliatorius

Tai yra prieš laikrodžio rodyklę sriegiuota dujų jungtis. Įsitinkite, kad dujų baliono vožtuvas yra visiškai išjungtas (OFF), tada tvirtai prisukite reguliatorių prie dujų baliono vožtuvo jungties.

3.1 Dujų baliono prijungimas

- Dujų baliono vožtuvas turi būti padėtyje OFF (išjungta).
- Įsitinkite, kad krosnies valdymo ratukai taip pat yra padėtyje OFF (išjungta).
- Patikrinkite vožtuvo jungtis, prievadą ir reguliatoriaus mazgą. Pašalinkite visus nešvarumus ir patikrinkite, ar žarna nepažeista.
- Prijunkite reguliatoriaus mazgą prie vožtuvo, stumdami reguliatorių ant vožtuvo ir sukdami rankinę veržlę prieš laikrodžio rodyklę.
- Visiškai atidarykite baliono vožtuvą, sukdami juodą jungiklį ant reguliatoriaus prieš laikrodžio rodyklę.

3.2 Nuotėkio patikra

- Naudodami nuotėkio aptikimo purškiklį arba indų ploviklio ir vandens tirpalą, kiekvieną kartą, kai vėl prijungiate jungtį arba pakeičiate dujų balioną, patikrinkite, ar nėra dujų nuotėkio.
- Naudokite šepetėlį arba purškimo buteliuką, kad paskirstytumėte tirpalą ant jungčių ir reguliatoriaus. Patikrinkite dujų žarną ir paskirstykite tirpalą ant bet kokių rastų įtrūkių.
- Jei yra nuotėkis, tirpalas burbuliuos. Jei pastebėjote nuotėkį ant žarnos jungties, priveržkite jungtį ir dar kartą patikrinkite, ar nėra nuotėkio. Jei nuotėkis išlieka arba yra nuotėkis dėl žarnos įtrūkio, **nenaudokite** krosnies. Kreipkitės pagalbos į „Ooni“ pagalbos tarnybą.
- Jei radote nuotėkį, **nenaudokite** krosnies; atjunkite dujų balioną. Jei radote nuotėkį krosnyje arba žarnoje, susisieki su „Ooni“ pagalbos tarnyba. Jei radote nuotėkį dujų baliono vožtuve, susisieki su dujų tiekėju.

❗ Pakaitiniai reguliatoriai turi būti sertifikuoti pagal EN16129, o žarnos – pagal EN16436, jos turi būti ne ilgesnės nei 1,5 m.

3.3 Dujų baliono atjungimas

- Pasukite dujų degiklio valdymo ratukus į padėtį OFF (išjungta).
- Pasukite juodą jungiklį ant reguliatoriaus pagal laikrodžio rodyklę.
- Paspauskite mygtuką ant reguliatoriaus, kad atlaisvintumėte jį nuo dujų baliono viršaus.
- Kai nenaudojate, uždėkite apsaugos nuo dulkių dangtelį ant atviro dujų baliono vožtuvo.

⚠️ ĮSPĖJIMAS

Jei bet kuriuo metu užuodžiate dujų kvapą, uždarykite dujų balioną arba reguliavimo vožtuvą, pasukite krosnies valdymo ratukus į padėtį OFF (išjungta) ir užgesinkite bet kokią atvirą liepsną.

Niekada neatlikite nuotėkio patikros naudodami atvirą liepsną ir tikrindami nbandykite uždegti degiklį.

4 „Koda 2 Max“ uždegimas

⚠️ ĮSPĖJIMAS

Uždegdami stovėkite į šoną. Niekada nežiūrėkite tiesiai į krosnies angą arba liepsną.



Jei nepavyksta uždegti kurio nors degiklio taip, kaip tikėtasi, skaitykite nesklandumų šalinimo vadovą. Išjunkite dujas ir palaukite 5 minutes prieš vėl

bandydami uždegti. Valdykite naudodami tik valdymo ratukus; niekada nelieskite išorinių metalinių paviršių, picos akmens arba stiklo, kai krosnis įjungta.

Mūvėkite nuo karščio apsaugančias pirštines, kai naudojate krosnį ir itin karštus kepimo aparatus.

4.1 Uždegimas

❗ Kairysis ratukas valdo kairįjį degiklį; dešinysis ratukas valdo dešinįjį degiklį.

- Spausdami ir laikydami bet kurį valdymo ratuką, lėtai sukite jį prieš laikrodžio rodyklę, kad įžiebtumėte kibirkštį ir uždegtumėte dujas. Uždegę, toliau laikykite ratuką dar 5 sekundes, kad liepsna išsilaikytų.
- Patikrinkite, ar užsidegė dujos.
 - Jei taip, pereikite prie 4.3 veiksmo.
 - Jei degiklis neužsidega, perjunkite į padėtį OFF (išjungta), palaukite 5 minutes, tada bandykite dar kartą.
 - Jei po antrojo bandymo degiklis neužsidega, perjunkite į padėtį OFF (išjungta), palaukite 5 minutes, tada atlikite 4.2 veiksmą.
- Jei liepsnos užsidega tinkamai, jos turėtų atrodyti kaip iliustracijoje.
- Jei vienas arba abu degikliai netyčia užgęsta, skaitykite nesklandumų šalinimo instrukcijas.

4.2 Krosnies uždegimas naudojant degtuko laikiklį

❗ Uždegdami niekada nežiūrėkite tiesiai į krosnį; visada stovėkite į šoną ir mūvėkite apsaugines pirštines per visą procesą.

❗ Jei degikliai neužsidegs po kelių bandymų naudojant valdymo ratukus, galite juos uždegti degtuku. Pridėtas degtuko laikiklis pritvirtintas prie pagrindo priešingoje valdymo pultui pusėje.

- Jei jau bandėte uždegti degiklius naudodami valdymo ratukus, perjunkite į padėtį OFF (išjungta) ir palaukite 5 minutes, kol išsisklaidys dujos.
- Įdėkite degtuką į degtuko laikiklį, uždekite degtuką ir per krosnies angą prilieskite jį prie vieno iš degiklių.
- Paspauskite valdymo ratuką, atitinkantį degiklį, ir lėtai pasukite jį iki maksimumo. Degiklis turėtų iškart užsidegti.
- Uždegę, toliau spauskite valdymo ratuką dar 5 sekundes, tada atleiskite.
- Jei degiklis neužsidega per kelias sekundes, pasukite valdymo ratuką į padėtį OFF (išjungta), palaukite 5 minutes, tada bandykite dar kartą.

4.3 Dujų degiklių naudojimas

- Pasukite valdymo ratuką, kad pagal poreikį reguliuotumėte atitinkamą liepsną ir temperatūrą.
 - Dujų degiklis išjungtas (OFF).
 - Nustatyta **didžiausia** dujų degiklio liepsna.
 - Nustatyta **mažiausia** dujų degiklio liepsna.
- Kartokite procesą (pradėdami nuo 4.1 veiksmo), kad uždegtumėte antrąjį degiklį.
- Norėdami išjungti, **paspauskite valdymo ratuką** ir sukite jį pagal laikrodžio rodyklę, kol jis sustos ir atitinkama liepsna užges.

4.4 Krosnies paruošimas prieš pirmą kartą kepat

❗ Prieš kepdami krosnyje pirmą kartą, turite ją paruošti.

❗ Kišdami ranką į krosnį, visada mūvėkite apsaugines pirštines.

- Norėdami tai padaryti, kaitinkite krosnį aukščiausioje temperatūroje 30 minučių.
- Išjunkite krosnį ir palaukite, kol ji visiškai atvės, tada išvalykite vidų sausais popieriniais rankšluosčiais.

4.5 Krosnies išjungimas

- Norėdami išjungti po paruošimo prieš pirmą kartą kepat arba po kepimo, paspauskite valdymo ratuką ir sukite jį pagal laikrodžio rodyklę, kol jis sustos ir atitinkama liepsna užges. Pakartokite su abiem degikliais.
- Išjunkite dujų tiekimą ir atjunkite reguliatorių.

4.6 Kepimas krosnyje

- Ijunkite abu degiklius visu pajėgumu ir bent 30 minučių kaitinkite krosnį ir picos akmenis.
 - Tiesiai ant picos akmens kepkite tik picą ir kitus sausus duonos pagrindo patiekalus. Norėdami kepti mėsą, daržoves ar kitus patiekalus, naudokite „Ooni“ ketaus kepimo įrankių ir „Ooni“ keptuvių asortimentą arba kitus „Ooni“ patvirtintus kepimo priedus.
 - Krosnyje yra du nepriklausomi degikliai, todėl galite kepti tik vienoje krosnies pusėje, abiejose pusėse toje pačioje temperatūroje arba abiejose pusėse skirtingoje temperatūroje – taip galėsite iškepti įvairių stilių picą.
- !** Niekada neikiškite rankos į krosnį, kad išvalytumėte maisto likučius, nukritusius ant picos akmens. Palikite juos sudegti, tada pašalinkite, kai krosnis atvės. Papildomų patarimų ieškokite picos akmens valymo procedūroje šio vadovo priežiūros skyriuje.
- i** Labai rekomenduojame naudoti „Ooni“ skaitmeninį infraraudonųjų spindulių termometrą, kad tiksliai išmatuotumėte picos akmens temperatūrą. Picos akmuo įkaista lėčiau nei krosnies viduje esantis oras. (Norint iškepti puikią picą, reikalingas abiejų šių dalykų balansas.) Štai kodėl svarbu naudoti „Ooni“ skaitmeninį infraraudonųjų spindulių termometrą, taip pat skaitmeninį temperatūros įtaisą, kad įsitikintumėte, jog picos akmens ir oro temperatūros yra artimos viena kitai.
- i** Norėdami sužinoti viską, ką reikia žinoti apie kepimą naudojant „Koda 2 Max“, atsisiųskite „Ooni“ programėlę.

5 Skydelio montavimas (jei reikia)



Nuskaitykite, kad pamatytumėte vaizdo instrukcijas

- !** Mūvėkite apsaugines pirštines ir įsitinkite, kad krosnis yra atvėsusi.
- Atverkite vyrį „torx“ raktu atlaisvindami varžtą prieš laikrodžio rodyklę.
 - Abiem rankomis nukreipkite dešiniąją skydelio pusę į U formos laikiklį, esantį krosnies angos viršutinėje dešiniojoje dalyje.
 - Kairiąją skydelio pusę įstatykite į kairiojo vyro įdubą.
 - Padėkite kairįjį nykštį po vyriu ir švelniai stumkite aukštyn, kol jis atsidurs lygioje padėtyje prie krosnies korpuso. Laikykite vyrį šioje padėtyje.
 - Naudodami „torx“ raktą priveržkite varžtą pagal laikrodžio rodyklę, kad užfiksuotumėte vyrį.
 - Įsitinkite, kad vyris yra užfiksuotas.

5.1 Skydelio nuėmimas

Norėdami kruopščiai išvalyti arba kepti didesnius kepinius krosnyje, atlikite toliau nurodytus skydelio nuėmimo veiksmus.

- !** Mūvėkite apsaugines pirštines ir įsitinkite, kad krosnis yra atvėsusi.
- Padėkite kairįjį nykštį virš varžto, kad prilaikytumėte vyrį.
 - Naudodami „torx“ raktą atlaisvinkite varžtą prieš laikrodžio rodyklę, kad atfiksuotumėte vyrį.
 - Švelniai nuleiskite vyrį kairiuoju nykščiu – taip nuleisite skydelį.
 - Abiem rankomis atsargiai pakelkite kairiąją skydelio pusę ir patraukite į priekį, kad atlaisvintumėte skydelį nuo dešiniojo laikiklio.
 - Norėdami užverti vyrį, padėkite kairįjį nykštį po vyriu ir švelniai stumkite aukštyn, kol jis atsiguls lygioje padėtyje prie krosnies korpuso. Laikykite vyrį šioje padėtyje ir sukite varžtą pagal laikrodžio rodyklę, kad užfiksuotumėte.
 - Įsitinkite, kad vyris yra užfiksuotas.

6 Priežiūros instrukcijos

! ĮSPĖJIMAS

Niekada nebandykite valyti arba prižiūrėti, kai krosnis yra karšta arba naudojama.
Valydami krosnį visada mūvėkite apsaugines pirštines.
Nenaudokite abrazyvinių valiklių arba šveitimo padų, kad išvalytumėte bet kurią krosnies dalį.

Nenaudokite cheminių valiklių ant dažytų paviršių.
Būkite atsargūs valydami krosnies vidų, nes gali būti aštrių kraštų.
Laikydami lauke, visada uždenkite krosnį.

6.1 Vidaus valymas

- Kaskart panaudoję, išjunkite krosnį ir palaukite, kol ji visiškai atvės, prieš valydami vidinius paviršius ir išilgai degiklio vamzdžių sausais popieriniais rankšluosčiais.
- Jei stiklinis skydelis yra nešvarus, galite jį atsargiai nuvalyti drėgna šluoste arba sausu popieriniu rankšluosčiu. Jei reikia išvalyti sunkiai pašalinamas dėmes, nuimkite skydelį pagal pridėtas instrukcijas (5.1 veiksmas).

6.2 Išorės valymas

- Išorinį „Koda 2 Max“ gaubtą galima nuvalyti šiltu muiliniu vandeniu ir nedelsiant išdžiovinti. Venkite abrazyvinių valymo priemonių arba tų, kuriose yra stiprių cheminių medžiagų.
- Nedelsdami išdžiovinkite ir uždenkite „Koda 2 Max“ uždangalu.

6.3 Picos akmenų valymas

- !** Niekada nenaudokite cheminių valiklių arba muilų ant picos akmenų. Niekada nepilkite ant picos akmenų vandens. Picos akmenų plauti nereikia; visiškai normalu, kad jų išvaizda laikui bėgant keičiasi.
- Ijunkite krosnį visu pajėgumu 45 minutėms nekepdami joje maisto. Picos akmuo savaime išsivalys aukštoje temperatūroje, o bet kokie maisto likučiai ar nešvarumai virs pelenais.
 - Palaukite, kol krosnis visiškai atvės, tada nuvalykite pelenus „Ooni“ picų krosnies šepečiu. Pastaba: krosnies picos akmenys yra simetriški ir dvipusiai, todėl galite juos apversti tarp naudojamų (kai atvės) ir kitą kartą kepdami sudeginti sunkiai pašalinamus likučius iš apačios.


6.4 Uždegimo baterijos keitimas


- Uždegimo baterijos skyrius yra galinės kojelės viduje.
 - Atsukite dangtelį prieš laikrodžio rodyklę, išimkite seną bateriją ir pakeiskite ją nauja, atkreipdami dėmesį į +/- kryptis.
 - Vėl užsukite dangtelį pagal laikrodžio rodyklę.
 - Saugiai išmeskite seną bateriją.
- i** Jei krosnį laikote nenaudojamą ilgiau nei mėnesį, išimkite bateriją.

Nemokamai pratęskite savo 1 metų garantiją iki 5 metų*, užregistravę gaminį tinklalapyje ooni.com/warranty per 60 dienų nuo įsigijimo.*

* Taikomos sąlygos

Nesklandumų šalinimas

Problema	Galima priežastis	Sprendimas
Krosnis neužsidega	<ol style="list-style-type: none"> 1. Netinkama sąranka. 2. Nepakankamas dujų srautas. 3. Netinkamai pritvirtintas reguliatorius. 4. Nėra uždegimo kibirkštis. 5. Yra kibirkštis arba girdisi spragtelėjimas, bet dujos neužsidega. 	<ol style="list-style-type: none"> 1. Įsitikinkite, kad krosnis surinkta laikantis 1 veiksmo instrukcijų. 2. Įsitikinkite, kad dujų balione yra dujų ir jis yra vertikaliaje padėtyje; jei balionas tuščias arba beveik tuščias, gali suprastėti veikimas. Patikrinkite, ar dujų žarnoje nėra įtrūkių. 3. Įsitikinkite, kad reguliatorius tinkamai pritvirtintas prie dujų baliono. 4. Patikrinkite, ar yra uždegimo baterija, ar ji įdėta tinkamai ir ar joje likę įkrovos (1.2 veiksmas). Įsitikinkite, kad kibirkštis įžiebimo kabelis įkištas tinkamai (1.1 veiksmas). 5. Susisieki su „Ooni“ pagalbos klientams tarnyba. Jei reikia, taip pat galite uždegti naudodami degtuką ir degtuko laikiklį (4.2 veiksmas).
Krosnies degikliai užsidega, bet nustoja degti.	<ol style="list-style-type: none"> 1. Neįjungtas liepsnos kontrolės įtaisas (FSD). 2. FSD termoelementas yra nešvarus. 3. FSD termoelementas yra sugedęs. 	<ol style="list-style-type: none"> 1. Atidžiai vykdykite uždegimo veiksmus (4 veiksmas). Būtinai palaikykite paspaudę valdymo ratuką bent 5 sekundes po uždegimo, kad įsijungtų liepsnos kontrolės įtaisas (FSD). 2. Išjunkite dujų tiekimą, palaukite, kol krosnis atvės, švelniai nuvalykite FSD termoelementą drėgna šluoste ir palaukite, kol jis visiškai išdžius, prieš vėl uždegdami. (Gali reikėti nuimti skydelį, kad būtų lengviau pasiekti.) 3. Jei atlikus 1 ir 2 veiksmus problema neišsprendžiama, susisieki su „Ooni“ pagalbos klientams tarnyba.
Krosnis nepakankamai įkaista.	<ol style="list-style-type: none"> 1. Nepakankamas dujų srautas. 2. Dujų baliono / reguliatoriaus slėgis. 3. Krosnies sąranka ir pastatymas. 4. Oro sąlygos. 5. Dujų degiklis užsidega netinkamoje vietoje (paprastai taip pat girdimas stiprus garsas). 6. Buvo nuimtas skydelis. 	<ol style="list-style-type: none"> 1. Įsitikinkite, kad dujų balione yra dujų ir jis yra vertikaliaje padėtyje; jei balionas tuščias arba beveik tuščias, gali suprastėti veikimas. Patikrinkite, ar dujų žarnoje nėra įtrūkių. 2. Pasirinkite tinkamą dujų balioną (3 veiksmas) ir reguliatorių slėgį (pagal techninių duomenų plokštelę). 3. Žiūrėkite sąrankos instrukcijas (1 veiksmas). Naudokite krosnį nuo vėjo apsaugotoje vietoje arba bent jau pastatykite ją taip, kad anga būtų nukreipta nuo vėjo. 4. Įkaitinimo laikui ir didžiausiai temperatūrai įtakos gali turėti vieta ir oro sąlygos. Numatomą įkaitinimo laiką įvertinkite atsižvelgdami į kintančias aplinkos sąlygas. Jei krosnį veikė drėgmė arba šaltis, įkaitinimas gali užtrukti ilgiau. Nenaudojamą krosnį laikykite uždengę vandeniui atspariu uždangalu, o jei nenaudosite ilgą laiką, picos akmenis įneškite į patalpą. 5. Laikydami nurodytų veiksmų išjunkite dujinį degiklį, palaukite 5 minutes, tada vėl uždeki krosnį (4.1 veiksmas). 6. Jei kepat nenaudojamas skydelis, gali būti paveiktas įkaitinimo laikas ir didžiausia temperatūra. Vėl uždeki, kad būtų galima pasiekti reikiamą temperatūrą.
Per daug suodina liepsna / suodžiai ant krosnies vidaus ir skydelio.	<ol style="list-style-type: none"> 1. Maisto likučių deginimas. 2. Netinkama sąranka arba nesuderinamas dujų balionas ar reguliatorius. 3. Užblokuotas dujų srautas. 	<ol style="list-style-type: none"> 1. Kepimo nurodymus galite rasti „Ooni“ programėlėje. Nenaudokite per daug miltų pašaudami picą ir pašalinkite visus maisto likučius, kurie trūkinėja ant picos akmens. Naudodami „Ooni“ picų krosnies šepetį nuvalykite picos akmenį tarp kepimų. 2. Įsitikinkite, kad krosnis tinkamai surinkta ir kad naudojate tinkamą dujų balioną (3 veiksmas) bei reguliatorių (pagal techninių duomenų plokštelę). 3. Susisieki su „Ooni“ pagalbos klientams tarnyba.
Kepimo problemos		 <p>Nuskaitykite, kad atsisiųstumėte „Ooni“ programėlę, kurioje rasite patarimų, kaip kepti picas, receptų ir nesklandumų šalinimo instrukcijas.</p> <p>Taip pat galite susisiekti su „Ooni“ pagalbos klientams tarnyba tinklalapyje support.ooni.com</p>

Model: UU-P2B800 Ooni Koda 2 Max	I3+ (28-30/37)	I3B/P(30)	
Ooni Limited, Unit 5, Ooni Park, 189 West Main Street, Broxburn, EH52 5LH, UK	Butane	Propane	Butane, propane or their mixture
	28-30 mbar	37 mbar	28-30 mbar
Read the instructions before using this appliance. Use outdoors only. WARNING: Accessible parts may be very hot, keep young children away.	11kw (801 g/h)	11kw (801 g/h)	
	Injector size/Marking: 1.2mm x 2 / 1.20		
	A (outdoors use only)		
	CY, GR, ES, TR	BG, CZ, DK, EE, GR, ES, FI, HR, HU, IL, IS, IT, LT, LV, NL, NO, PL, PT, RO, SA, SE, SI, SK, TR	
Pizza oven PIN: 2575DP40644	 2575-24		

Jei problema išlieka, susisieki su „Ooni“ pagalbos klientams tarnyba tinklalapyje support.ooni.com.

Šajā rokasgrāmatā ir sniegta svarīga informācija, kas ir būtiska jūsu krāsns drošai darbībai. Pirms Ooni Koda 2 Max krāsns montāžas, uzstādīšanas, lietošanas vai apkopes izlasiet šo rokasgrāmatu pilnībā. Šo norādījumu neievērošana var izraisīt īpašuma bojājumus, ugunsgrēku, nopietnus miesas bojājumus vai pat nāvi.

Glabājiet šo rokasgrāmatu turpmākai atsaucei.

BRĪDINĀJUMS

Pirms ierīces lietošanas izlasiet norādījumus un glabājiet tos turpmākai atsaucei.

Izmantojiet tikai ārpus telpām.

Pieejamās daļas var būt ļoti karstas. Neļaujiet maziem bērniem tuvu ierīcei.

Lietošanas laikā šī ierīce jāslēdz no viegli uzliesmojošiem materiāliem.

Lietošanas laikā nepārvietojiet ierīci.

Pēc lietošanas atslēdziet gāzes padevi no gāzes balona.

Esiet uzmanīgs, piestiprinot vai mainot gāzes balonu, un dariet to attālak no jebkura aizdegšanās avota.

Nemainiet ierīci.

Šī ierīce lietošanas laikā ir ļoti karsta.

Pirms pārklāšanas vai pārvietošanas ļaujiet krāsni pilnībā atdzist.

Darbojieties, izmantojot tikai vadības grozāmpogas; nekad nepieskarities ārējām metāla virsmām, picas akmenim vai stiklam, kamēr krāsns ir ieslēgta.

Uzstādīšanas laikā pārliecinieties, ka krāsns atvere ir vērsta prom no vēja. Novietojiet krāsni vismaz viena metra attālumā no jebkuras konstrukcijas vai uzliesmojoša materiāla. Nelietot vētrainā laikā vai intensīvā sniegā.

Pirms gāzes balona pievienošanas pagrieziet abas vadības grozāmpogas pozīcijā OFF.

Pievienojiet tikai tādu gāzu balonus, kas uzskaitītas uz nominālo datu plāksnītes.

Izmantojiet tikai ar baloniem, kuru svars ir mazāks par 13 kg, ar maksimālo diametru 315 mm un maksimālo augstumu 580 mm.

Gāzes šļūtenei jābūt sertificētai atbilstoši EN16436 ar maksimālo garumu 1,5 m.

Ja kādā brīdī saozat gāzi, aizveriet gāzes balonu vai plūsmas regulēšanas vārstu, pagrieziet krāsns vadības grozāmpogas pozīcijā OFF un nodzēsiet visas atklātās liesmas.

Darbojoties ar krāsni vai stāvot pie tās; nevalkājiēt vaļīgu apģērbu.

Nekad neuzglabājiet rezerves gāzes balonus zem krāsns vai tās tuvumā.

Nekad nepārbaudiet noplūdes ar atklātu liesmu un nemēģiniet aizdedzināt degļus pārbaudes laikā.

Aizdegšanas laikā stāviet sānis. Nekad neskatieties tieši krāsns atverē vai uz liesmu.

Nekad nelietojiet ķīmiskos tīrīšanas līdzekļus vai ziepes uz picas akmens virsmas.

Nekad neļējiet ūdeni uz picas akmens, jo tas var izraisīt tā plaisāšanu.

Lietojot krāsni un rīkojoties ar īpaši karstu gatavošanas iekārtu, valkājiēt karstumizturīgos aizsargcimdus.

Nekad nemēģiniet tīrīt vai veikt apkopi, kamēr krāsns ir karsta vai tiek izmantota.

Krāsns daļu tīrīšanai neizmantojiet abrazīvus tīrīšanas līdzekļus vai tīrāmās švammītes.

Izmantojiet tikai Ooni apstiprinātus vai oficiālus piederumus un rezerves daļas. Ja tas netiek darīts, var gūt traumu vai krāsns vai īpašums var tikt sabojāts.

Ja krāsns darbojas neparasti, izslēdziet to un sazinieties ar Ooni atbalsta dienestu.

Nomainiet gāzes šļūteni, ja tā ir bojāta vai tas ir norādīts valsts noteikumos.

Nedrīkst manipulēt ar ierīces aizzīmogatajām sistēmām.

Lietojot vai tīrot krāsni, esiet uzmanīgs, jo var būt asas malas.

1 Uzstādīšana un montāža

- Izvēlieties uzstādīšanai piemērotu pozīciju un virsmu.
 - Ooni lielais modulārais galds vai cita izturīga metāla vai koka virsma ir ideāli piemērota krāsns atbalstam. Nenovietojiet krāsni uz plastmasas vai stikla galdiem. Vienmēr pārliecinieties, ka galds var izturēt krāsns svaru.
 - Virsmai jābūt tādai, lai krāsns atvere būtu vērsta prom no vēja, un tai jāatrodas viena metra attālumā no jebkuras konstrukcijas vai uzliesmojoša materiāla.
 - Mēs iesakām novietot cepeškrāsni tā, lai picas akmens atrastos 1,1 m augstumā no zemes.
- Paceliet vāku no kastes un novietojiet to otrādi un netālu.
- Paceliet ārējās kastes centrālo daļu uz augšu un prom, ļaujot iepakojumam, kas aizsargā krāsns malas, atvērties.
- Ar citas personas palīdzību uzmanīgi paceliet krāsni un novietojiet to otrādi uz kastes vāka, lai aizsargātu augšdaļu. Pārliecinieties, ka viss iepakojums ir izņemts no krāsns.
- Paceliet kartona atdalītāju kastes iekšpusē, lai atsegtu krāsns kājas, digitālo temperatūras centrmezglu, picas akmeņus un citas detaļas montāžai.

1.1 Kāju piestiprināšana

- Piestipriniet aizmugurējo kāju pie pamatnes ar 4 M5 skrūvēm, izmantojot komplektācijā iekļauto skrūvgriezi.
- Pievienojiet aizdedzes baterijas kabeli kontaktligzdai uz krāsns pamatnes blakus kājai.
- Piestipriniet abas priekšējās kājas, izmantojot 3 M5 skrūves katrai kājai.

1.2 Aizdedzes baterijas uzstādīšana

- i** Aizdedzes baterijas nodalījums atrodas aizmugurējās kājas iekšpusē.
- Atskrūvējiet vāciņu pretēji pulksteņrādītāju kustības virzienam un ievietojiet komplektācijā iekļauto AA tipa bateriju, pievēršot uzmanību +/- norādēm.
 - Ieskrūvējiet vāciņu atpakaļ pulksteņrādītāju kustības virzienā.

1.3



Uzstādīšanai izpildiet digitālā temperatūras centrmezgla montāžas norādījumus.

1.4 Picas akmeņu ievietošana

- i** Picas akmeņi ir smagi; uzmanieties, lai neiespiestu pirkstus.
- Ja krāsns ir otrādi: ar citas personas palīdzību uzmanīgi pagrieziet krāsni vertikāli un pēc tam novietojiet to paredzētajā vietā.
 - Ar abām rokām uzmanīgi paceliet pirmo picas akmeni un novietojiet to tā, lai tā noapaļots stūris būtu vērsts pret krāsns aizmugurējo stūri. Uzmanīgi bīdiēt picas akmeni pozīcijā, lai nesaskrāpētu picas dzegu.
 - Ar abām rokām paņemiet otro picas akmeni un atkārtojiet procesu otrā pusē.
 - Lai izņemtu kādu no picas akmeņiem, ar vienu roku izspiediet caur caurumu cepeškrāsns pamatnē, līdz picas akmens priekšpuse ir pietiekami augstu satveršanai un izbīdīšanai ar otru roku. **Nekad** nemēģiniet izņemt karstus picas akmeņus.

2 Gāzes šļūtenes uzstādīšana (ja nepieciešams)

- i** Krāsns tiek piegādāts ar gāzes šļūteni un regulatoru, kas ir vispiemērotākie jūsu reģionā iegādājamajai gāzei. Ja jums ir alternatīvs gāzes balons, sazinieties ar Ooni atbalsta dienestu.
- Iespiediet šļūteni uz atkarpes.
 - Pabīdiēt savilcējskavu virs šļūtenes.
 - Pievelciet skavu ar piemērotu skrūvgriezi.

Darba sākšana

o Kastes saturs

a	Ooni Koda 2 Max krāsns	i	Digitālais temperatūras centrmezgls
b	Picas akmens (x2)	j	Montāžas kronšteins
c	Priekšējā kāja (x2)	k	Īkšķuzgrieznis
d	Aizmugurējā kāja	l	Apkārtējās temperatūras kabelis (x2)
e	AA tipa baterija aizdegšanai	m	Pārtikas zonde (x2)
f	Torx uzgaļa atslēga	n	AA tipa baterijas (x2)
g	M5 skrūves (x10)	o	Kronšteina skrūves
h	Sērkokociņu turētājs		
	Koda 2 Max montāžas norādījumi		Digitālā temperatūras centrmezgla montāžas norādījumi

i **UZMANĪBU!** Krāsns ir ļoti smags, un tās pacelšanai, montāžai un novietošanai būs nepieciešami divi cilvēki.

NECELIET krāsni ar novietotiem picas akmeņiem.

VIENMĒR turiet krāsni zem pamatnes, **NEKAD** no augšējā apvalka iekšpusēs.

3 Pieslēgšana gāzes padevei

❗ Pirms gāzes balona pievienošanas pagrieziet abas vadības grozāmpogas pozīcijā OFF.

⚠ BRĪDINĀJUMS

Izmantojiet tikai ar baloniem, kuru svars ir mazāks par 13 kg, ar maksimālo diametru 315 mm un maksimālo augstumu 580 mm.

Esiet uzmanīgs, piestiprinot vai mainot gāzes balonu, un dariet to attālāk no jebkura aizdegšanās avota.

Ierīcei un gāzes balonam jābūt vismaz 635 mm attālumā vienam no otra.

Pievienojiet tikai tādu gāzu balonus, kas uzskaitītas uz nominālo datu plāksnītes.

Terases gāzes regulators

Tas ir uzspiežams gāzes stiprinājums. Pārļiecinieties, vai melnais slēdzis ir horizontālā stāvoklī, pēc tam nospiediet pogu, kas atrodas zem melnā slēdža. Spiediet regulatoru uz gāzes balona vārsta, līdz tas nofiksējas vietā.

POL gāzes regulators

Tas ir gāzes stiprinājums, kas griežams pret pulksteņrādītāju kustības virzienu. Pārļiecinieties, ka gāzes balona vārsts ir pilnībā izslēgts, pēc tam skrūvējiet regulatoru uz gāzes balona vārsta stiprinājuma, līdz tas ir cieši noslēgts.

3.1 Gāzes balona pievienošana

- Gāzes balona vārstam jābūt pozīcijā OFF.
- Pārļiecinieties, vai krāsns vadības grozāmpogas ir pozīcijā OFF.
- Pārbaudiet vārstu savienojumus, pieslēgvietu un regulatora montāžu. Noņemiet visus grūžus un pārbaudiet, vai šļūtenei nav bojājumu.
- Pievienojiet salikto regulatoru vārstam, uzspiežot regulatoru uz vārsta, pagriežot rokas uzgriezni pretēji pulksteņrādītāju kustības virzienam.
- Pilnībā atveriet balona vārstu, pagriežot regulatora melno slēdzi pretēji pulksteņrādītāju kustības virzienam.

3.2 Noplūžu pārbaude

- Izmantojot noplūdes detektora aerosolu vai trauku mazgājamā līdzekļa un ūdens šķīdumu, pārbaudiet, vai nav gāzes noplūdes katru reizi, kad atkārtoti pievienojat stiprinājumu vai nomaināt gāzes balonu.
- Izmantojiet suku vai pudeli ar smidzinātāju, lai šķīdumu uzklātu uz savienojumiem un regulatora. Pārbaudiet gāzes šļūteni un uzklājiet šķīdumu visām atrastajām plaisām.
- Ja būs noplūde, šķīdums burbuļos. Ja šļūtenes stiprinājumā novērojat noplūdi, pievelciet stiprinājumu un vēlreiz pārbaudiet, vai nav noplūdes. Ja noplūde saglabājas vai šļūtenē ir noplūde, **nedarbiniet** krāsni. Lai saņemtu palīdzību, sazinieties ar Ooni atbalsta dienestu.
- Ja atrodāt noplūdi, **nedarbiniet** krāsni; atvienojiet gāzes balonu. Ja noplūde tiek konstatēta krāsni vai šļūtenē, sazinieties ar Ooni atbalsta dienestu. Ja gāzes balona vārsta tiek konstatēta noplūde, sazinieties ar gāzes piegādātāju.

❗ Rezerves regulatoriem ir jābūt sertificētiem atbilstoši EN16129 un šļūtenēm – atbilstoši EN16436 ar maksimālo garumu 1,5 m.

3.3 Gāzes balona atvienošana

- Pagrieziet gāzes degļa vadības grozāmpogas pozīcijā OFF.
- Pagrieziet regulatora melno slēdzi pulksteņrādītāju kustības virzienā.
- Nospiediet regulatora pogu, lai to atbrīvotu no gāzes balona augšdaļas.
- Novietojiet putekļu vāciņu uz atsegtā gāzes balona vārsta, kad to nelietojat.

⚠ BRĪDINĀJUMS

Ja kādā brīdī saozāt gāzi, aizveriet gāzes balonu vai plūsmas regulēšanas vārstu, pagrieziet krāsns vadības grozāmpogas pozīcijā OFF un nodzēsiet visas atklātās liesmas.

Nekad nepārbaudiet noplūdes ar atklātu liesmu un nemēģiniet aizdedzināt degļus pārbaudes laikā.

4 Koda 2 Max aizdegšana

⚠ BRĪDINĀJUMS

Aizdegšanas laikā stāviet sānis. Nekad neskatieties tieši krāsns atverē vai uz liesmu.



Ja kāds no degļiem netiek aizdegts, kā paredzēts, skatiet problēmu novēršanas rokasgrāmatu. Izslēdziet gāzi un uzgaidiet 5 minūtes, pirms mēģināt atkal aizdegt. Darbojieties, izmantojot tikai vadības

grozāmpogas; nekad nepieskarieties ārējām metāla virsmām, picas akmenim vai stiklam, kamēr krāsns ir ieslēgta.

Lietojot krāsni un rīkojoties ar īpaši karstu gatavošanas iekārtu, valkājiet karstumizturīgos aizsargcimdus.

4.1 Aizdegšana

- Kreisā vadības grozāmpoga kontrolē kreiso degli; labā vadības grozāmpoga kontrolē labo degli.
 - Nospiediet un turiet nospiestu jebkuru no vadības grozāmpogām, vienlaikus lēnām pagriežot pretēji pulksteņrādītāju kustības virzienam, lai uzšķiltu dzirksteles un iedegtu gāzi. Pēc iedegšanas turpiniet turēt 5 sekundes, lai uzturētu liesmu.
 - Pārbaudiet, vai gāze ir aizdegusies.
 - Ja jā, pārejiet pie 4.3. punkta.
 - Ja deglis neaizdegas, pārslēdziet pozīcijā OFF, uzgaidiet 5 minūtes, pēc tam mēģiniet vēlreiz.
 - Ja deglis neaizdegas pēc otrā mēģinājuma, pārslēdziet pozīcijā OFF, uzgaidiet 5 minūtes, pēc tam izpildiet 4.2. punktā norādīto.
 - Ja liesmas tiek aizdedzinātas pareizi, tām vajadzētu izskatīties kā ilustrācijā.
 - Ja viens vai abi degļi ir nejauši nodzisuši, skatiet problēmu novēršanu.

4.2 Krāsns aizdegšana ar sērkokociņu turētāju

- Aizdegšanas laikā nekad neskatieties tieši krāsni; vienmēr stāviet sānis un visu laiku valkājiet cimdus.
- Ja degļi neiedegas pēc vairākiem mēģinājumiem, izmantojot vadības grozāmpogas, varat tos aizdedzināt ar sērkokociņu. Komplektā iekļautais sērkokociņu turētājs ir piestiprināts pie pamatnes vadības paneļa pretējā pusē.
 - Ja jau esat mēģinājis iedegst degļus, izmantojot vadības grozāmpogas, pārslēdziet pozīcijā OFF un uzgaidiet 5 minūtes, līdz gāze izkliedējas.
 - Sērkokociņu turētājā ievietojiet sērkokociņu, aizdedziniet sērkokociņu un caur krāsns atveri pieskarieties vienam no degļiem.
 - Nospiediet vadības grozāmpogu, kas atbilst deglim, un lēnām pagrieziet to līdz maksimālajai atzīmei. Deglim nekavējoties jāaizdegas.
 - Pēc aizdegšanas turiet vadības grozāmpogu nospiestu 5 sekundes, pēc tam atlaidiet.
 - Ja deglis nedeg dažu sekunžu laikā, izslēdziet vadības grozāmpogu, uzgaidiet 5 minūtes un pēc tam mēģiniet vēlreiz.

4.3 Gāzes degļu izmantošana

- Pagrieziet vadības grozāmpogu, lai pēc vajadzības noregulētu atbilstošo liesmu un temperatūru.
 - Gāzes deglis ir pozīcijā OFF.
 - Gāzes deglis ir noregulēts uz **maksimālo** liesmu.
 - Gāzes deglis ir noregulēts uz **minimālo** liesmu.
- Atkārtojiet procesu (sākot ar 4.1. punktu), lai iedegtu otro degli.
- Lai izslēgtu, nospiediet **vadības grozāmpogu** un griežiet to pulksteņrādītāju kustības virzienā, līdz tā apstājas un attiecīgā liesma nodzies.

4.4 Krāsns pieradināšana

- Pirms gatavošanas krāsni pirmo reizi tā ir jāpieradina.
- Pirms rokas ievietošanas krāsni vienmēr uzvelciet cimdus.
 - Lai to izdarītu, 30 minūtes darbiniet cepeškrāsni augšējā temperatūrā.
 - Izslēdziet cepeškrāsni un ļaujiet tai pilnībā atdzist, pēc tam noslaukiet iekšpusi ar sausiem papīra dvieļiem.

4.5 Krāsns izslēgšana

- Lai izslēgtu pēc pieradināšanas vai gatavošanas, nospiediet vadības grozāmpogu un grieziet to pulksteņrādītāju kustības virzienā, līdz tā apstājas un attiecīgā liesma nodzīst. Atkārtojiet procesu abiem degļiem.
- Izslēdziet gāzes padevi un atvienojiet regulatoru.

4.6 Gatavošana cepeškrāsnī

- Pagrieziet abus degļus līdz maksimālai liesmai, lai uzkarsetu cepeškrāsni un picas akmeņus vismaz 30 minūtes.
- Tieši uz picas akmens gatavojiet tikai picu un citus sausus, maizes bāzes ēdienus. Lai gatavotu gaļu, dārzeņus vai citus ēdienus, izmantojiet Ooni čuguna izstrādājumu un Ooni pannu klāstu vai citus Ooni apstiprinātus gatavošanas piederumus.
- Krāsns ir aprīkots ar diviem neatkarīgiem degļiem, kas ļauj gatavot ēdienu tikai vienā krāsns pusē, abās pusēs vienā temperatūrā vai abās pusēs dažādās temperatūrās, lai pielāgotos dažādiem picas stiliem.

! **Nekad** neliecinieties krāsnī, lai notīrītu ēdiena atliekas, kas nokritušas uz picas akmens. Atstājiet tos sadegšanai, pēc tam noņemiet tos, kad krāsns ir atdzisusi. Papildu padomiem skatiet šīs rokasgrāmatas apkopes sadaļā aprakstīto picas akmens tīrīšanas procedūru.

i Mēs ļoti iesakām izmantot Ooni digitālo infrasarkano staru termometru, lai precīzi izmērītu picas akmens temperatūru. Picas akmens uzsils lēnāk nekā gaiss krāsns iekšpusē. (Lai pagatavotu lielisku picu, jums ir nepieciešams abu degļu līdzsvars.) Tāpēc ir svarīgi izmantot Ooni digitālo infrasarkano staru termometru, kā arī digitālo temperatūras centrmezglu, lai nodrošinātu, ka jūsu picas akmens un gaisa temperatūra ir tuvā diapazonā.

i Lai uzzinātu visu, kas jums jāzina par ēdiena gatavošanu ar Koda 2 Max, lejupielādējiet lietotni Ooni.

5 Aizsarga uzstādīšana (ja nepieciešams)



Skenējiet video norādījumus

- Valkājiet aizsargcimodus un pārliecinieties, ka krāsns ir atdzisusi.
 - Atveriet eņģi, izmantojot Torx uzgaļa atslēgu, lai atbrīvotu skrūvi pretēji pulksteņrādītāju kustības virzienam.
 - Ar abām rokām virziet aizsarga labo pusi U veida kronšteinā krāsns atveres augšējā labajā stūrī.
 - Novietojiet aizsarga kreiso pusi padziļinājumā uz kreisās eņģes.
 - Novietojiet kreiso īkšķi zem eņģes un viegli spiediet to uz augšu, līdz tā atrodas plakaniski pret krāsns korpusu. Turiet eņģi šajā pozīcijā.
 - Izmantojiet Torx uzgaļa atslēgu, lai pievilktu skrūvi pulksteņrādītāju kustības virzienā, fiksējot eņģi.
 - Pārliecinieties, ka eņģe ir nofiksēta vietā.

5.1 Aizsarga noņemšana

Lai veiktu krāsns dziļo tīrīšanu vai tajā pagatavotu lielākus pārtikas produktus, veiciet tālāk norādītās darbības aizsarga noņemšanai.

- Valkājiet aizsargcimodus un pārliecinieties, ka krāsns ir atdzisusi.
 - Novietojiet kreiso īkšķi virs skrūves, lai atbalsētū eņģi.
 - Izmantojiet Torx uzgaļa atslēgu, lai atbrīvotu skrūvi pretēji pulksteņrādītāju kustības virzienam, atbloķējot eņģi.
 - Saudzīgi nolaidiet eņģi, izmantojot kreiso īkšķi, kas ļaus aizsargam nolaisties.
 - Izmantojiet abas rokas, lai uzmanīgi paceltu viziera kreiso pusi un velciet uz priekšu, lai atbrīvotu vizieri no labā kronšteina.
 - Lai aizvērtu eņģi, novietojiet kreiso īkšķi zem eņģes un viegli spiediet to uz augšu, līdz tā atrodas plakaniski pret krāsns korpusu. Turiet eņģi pozīcijā un pagrieziet skrūvi pulksteņrādītāju kustības virzienā, lai fiksētu.
 - Pārliecinieties, ka eņģe ir nofiksēta vietā.

6 Kopšanas un apkopes norādījumi

▲ BRĪDINĀJUMS

Nekad nemēģiniet tīrīt vai veikt apkopi, kamēr krāsns ir karsta vai tiek izmantota.

Tīrot krāsni, vienmēr valkājiet cimdus.

Krāsns daļu tīrīšanai neizmantojiet abrazīvus tīrīšanas līdzekļus vai tīrāmās švammītes.

Nelietojiet ķīmiskos tīrīšanas līdzekļus uz krāsotām virsmām.

Tīrot krāsns iekšpusi, esiet uzmanīgs, jo var būt asas malas.

Vienmēr pārklājiet krāsni, ja to paredzēts uzglabāt ārpus telpām.

6.1 Iekšpuses tīrīšana

- Pēc katras lietošanas izslēdziet krāsni un ļaujiet tai pilnībā atdzist, pirms slaucīt iekšējās virsmas un gar degļa caurulēm ar sausiem papīra dvieļiem.
- Ja stikla aizsargs ir netīrs, to var uzmanīgi notīrīt, izmantojot mitru drānu vai sausu papīra dvieli. Piekaltsiem traipiem noņemiet aizsargu atbilstoši iekļautajiem norādījumiem (5.1. punkts).

6.2 Ārpuses tīrīšana

- Koda 2 Max ārējo apvalku var noslaucīt ar remdenu ziepjūdeni un nekavējoties izžāvēt. Izvairieties no abrazīviem tīrīšanas līdzekļiem vai tiem, kuru sastāvā ir spēcīgas ķīmiskas vielas.
- Nekavējoties nosusiniet un pārklājiet ar Koda 2 Max pārsegu.

6.3 Picas akmeņu tīrīšana

! **Nekad** nelietojiet ķīmiskos tīrīšanas līdzekļus vai ziepes uz picas akmeņiem. **Nekad** nepakļaujiet picas akmeņus ūdenim.

Nav nepieciešams mazgāt picas akmeņus; ir pilnīgi normāli, ka to izskats laika gaitā mainās.

- Darbiniet krāsni ar pilnu jaudu 45 minūtes, negatavojot tajā. Picas akmens augstā temperatūrā pašattīrīsies, un visi pārtikas atlikumi vai gruži pārvērtīsies pelnos.
- Ļaujiet krāsnij pilnībā atdzist, pēc tam notīriet pelnus ar Ooni picas krāsns suku. Piezīme. Jūsu krāsns picas akmeņi ir simetriski un divpusēji, tāpēc varat tos apgriezt starp lietošanas reizēm (kad tie ir atdzisuši) un nākamajā gatavošanas reizē sadedzināt visas pielipušās atliekas no apakšas.

6.4 Aizdedzes baterijas nomaīņa

- Aizdedzes baterijas nodalījums atrodas aizmugurējās kājas iekšpusē.
 - Atskrūvējiet vāciņu pretēji pulksteņrādītāju kustības virzienam, lai izņemtu veco bateriju un nomainītu to pret jaunu, pievēršot uzmanību +/- norādēm.
 - Ieskrūvējiet vāciņu atpakaļ pulksteņrādītāju kustības virzienā.
 - Droši izmetiet veco bateriju.
- i** Ja krāsni plānots uzglabāt ilgāk par mēnesi, izņemiet bateriju.

Pagariniet savu 1 gada garantiju līdz 5 gadiem*, bez maksas, kad reģistrējat savu produktu vietnē ooni.com/warranty 60 dienu laikā pēc iegādes.*

* Tiek piemēroti noteikumi un nosacījumi

Niniejsza instrukcja zawiera ważne informacje niezbędne do bezpiecznej obsługi tego pieca. Przeczytaj niniejszą instrukcję w całości przed montażem, instalacją, użytkowaniem lub serwisowaniem pieca Ooni Koda 2 Max. Niezastosowanie się do tych instrukcji może spowodować uszkodzenie mienia, pożar, poważne obrażenia ciała, a nawet śmierć.

Zachowaj tę instrukcję do wykorzystania w przyszłości.

▲ OSTRZEŻENIE

Przeczytaj tę instrukcję przed użyciem urządzenia i zachowaj ją na przyszłość.

Do użytku tylko na zewnątrz.

Swobodnie dostępne części urządzenia mogą być bardzo gorące. Nie pozwalaj na dostęp do nich małych dzieci.

Podczas użytkowania urządzenie należy trzymać z dala od materiałów łatwopalnych.

Nie przenoś urządzenia podczas użytkowania.

Po użyciu wyłącz dopływ gazu z butli gazowej.

Zachowaj ostrożność podczas podłączania lub wymiany butli z gazem i rób to z dala od wszelkich źródeł zapłonu.

Nie modyfikuj urządzenia.

To urządzenie jest bardzo gorące podczas użytkowania.

Poczekaj, aż piec całkowicie ostygnie, zanim go przykryjesz lub przeniesiesz.

Obsługuj tylko za pomocą pokręteł regulujących. Nigdy nie dotykaj zewnętrznych metalowych powierzchni, kamienia do pizzy ani szkła, gdy piec jest włączony.

Podczas ustawiania upewnij się, że wylot pieca nie jest skierowany w stronę wiatru. Umieść piec w odległości co najmniej jednego metra od jakiegokolwiek konstrukcji lub materiału palnego. Nie używaj urządzenia przy sztormowej pogodzie lub obfitych opadach śniegu.

Przed podłączeniem butli z gazem przekręć oba pokręta regulujące do pozycji OFF.

Podłączaj tylko gazy wymienione na tabliczce znamionowej.

Używaj tylko z butlami o wadze poniżej 13 kg, o maksymalnej średnicy 315 mm i maksymalnej wysokości 580 mm.

Wąż gazowy musi mieć certyfikat zgodności z normą EN16436 i maksymalną długość 1,5 m.

Jeśli w jakimś momencie poczujesz zapach gazu, zamknij butlę z gazem lub zawór regulacyjny, przekręć pokręta regulujące na piecu do pozycji OFF (ZAMKNIĘTE) i zgaś otwarty ogień.

Nie noś luźnej odzieży podczas obsługi lub stania w pobliżu pieca.

Nigdy nie przechowuj zapasowych butli z gazem pod piecem lub w jego pobliżu.

Nigdy nie sprawdzaj, czy nie ma wycieków otwartym ogniem ani nie próbuj zapalać palników podczas testowania.

Stań z boku podczas zapalania. Nigdy nie patrz bezpośrednio w wylot pieca ani na płomień.

Nigdy nie używaj chemicznych środków czyszczących ani mydeł na powierzchni kamienia do pizzy.

Nigdy nie wylewaj wody na kamień do pizzy, ponieważ może to spowodować jego pęknięcie.

Noś rękawice chroniące przed wysoką temperaturą podczas korzystania z pieca i obsługi szczególnie gorącego urządzenia do podgrzewania.

Nigdy nie próbuj czyścić ani konserwować, gdy piec jest gorący lub w użyciu.

Nie używaj ściernych środków czyszczących ani gąbek do szorowania do czyszczenia jakiegokolwiek części pieca.

Używaj wyłącznie zatwierdzonych lub oficjalnych akcesoriów i części zamiennych Ooni. Niezastosowanie się do tego może spowodować obrażenia lub uszkodzenie pieca lub mienia

Jeśli piec działa nieprawidłowo, wyłącz go i skontaktuj się z pomocą techniczną Ooni.

Wymień wąż gazowy, jeśli jest uszkodzony lub gdy wymagają tego regulacje krajowe.

Nie wolno wykonywać żadnych manipulacji przy szczelnych układach urządzenia.

Zachowaj ostrożność podczas używania lub czyszczenia pieca, ponieważ mogą w nim być ostre krawędzie.

Pierwsze kroki

o Co jest w pudełku:

- | | |
|--------------------------------|---|
| a Piec Ooni Koda 2 Max | i Cyfrowy koncentrator temperatury |
| b Kamień do pizzy (x2) | j Uchwyt montażowy |
| c Przednia noga (x2) | k Nakrętka motylkowa |
| d Tylna noga | l Kabel temperatury otoczenia (x2) |
| e Bateria AA do zapłonu | m Sonda do żywności (x2) |
| f Klucz Torx | n Baterie AA (x2) |
| g Śruby M5 (x10) | o Śruby wspornika |
| h Uchwyt na zapalki | |

Instrukcja montażu pieca Koda 2 Max

Instrukcja montażu cyfrowego koncentratora temperatury

❗ **OSTROŻNIE:** Twój piec jest bardzo ciężki i będzie wymagał dwóch osób do podnoszenia, montażu i ustawiania.

NIE podnoś pieca z włożonymi do niego kamieniami do pizzy.

ZAWSZE trzymaj piec od spodu podstawy, **NIGDY** od wewnętrznej strony górnej skorupy.

1 Ustawienie i montaż

- Wybierz odpowiednie miejsce i powierzchnię do ustawienia.
 - Idealnym miejscem do ustawienia pieca jest duży stół modułowy Ooni lub inna mocna metalowa lub drewniana powierzchnia. Nie ustawiaj pieca na plastikowych lub szklanych stołach. Zawsze upewnij się, że stół wytrzyma ciężar pieca.
 - Powierzchnia powinna umożliwiać skierowanie wylotu pieca z dala od wiatru i musi znajdować się w odległości jednego metra od jakiegokolwiek konstrukcji lub materiału palnego.
 - Zalecamy ustawienie pieca tak, aby kamień do pizzy znajdował się na wysokości 1,1 m nad ziemią.
- Podnieś pokrywę z pudełka i umieść ją do góry nogami w pobliżu.
- Podnieś środkową zewnętrzną część pudełka do góry i odsuń, aby opakowanie chroniące boki pieca otworzyło się.
- Z pomocą innej osoby ostrożnie wyjmij piec i umieść go do góry nogami na wieku pudełka, aby chronić górę. Upewnij się, że całe opakowanie zostało wyjęte z pieca.
- Podnieś kartonową przegrodę wewnątrz pudełka, aby odsonić nogi pieca, cyfrowy koncentrator temperatury, kamienie do pizzy i inne części do montażu.

1.1 Mocowanie nóg

- Przymocuj tylną nogę do podstawy za pomocą 4 śrub M5, używając dołączonego śrubokręta.
- Podłącz przewód baterii zapłonowej do gniazdka w podstawie pieca obok nogi.
- Przymocuj każdą z dwóch przednich nóg za pomocą 3 śrub M5.

1.2 Instalowanie baterii zapłonowej

- ❗ Komora baterii zapłonowej znajduje się wewnątrz tylnej nogi.
- Odkręć nakrętkę w kierunku przeciwnym do ruchu wskazówek zegara i załóż dostarczoną baterię AA, zwracając uwagę na oznaczenia +/-.
 - Zakręć nakrętkę z powrotem zgodnie z ruchem wskazówek zegara.

1.3



Postępuj zgodnie z instrukcjami montażu cyfrowego koncentratora temperatury, aby go zamontować.

1.4 Wkładanie kamieni do pizzy

- ❗ Kamienie do pizzy są ciężkie, uważaj, aby nie przyciąć palców.
- Jeśli piec jest odwrócony do góry nogami: Z pomocą innej osoby ostrożnie obróć piec nogami do dołu, a następnie ustaw go w zamierzonym miejscu.
 - Obiema rękami ostrożnie podnieś pierwszy kamień do pizzy i ułóż go tak, aby był zaokrąglonym rogami w stronę tylnego rogu pieca. Wsuń kamień do pizzy na miejsce, uważając, aby nie zarysować półki do pizzy.
 - Obiema rękami podnieś drugi kamień do pizzy i powtórz ten sam proces po drugiej stronie.
 - Aby usunąć kamień do pizzy, jedną ręką popchnij go przez otwór w podstawie pieca, aż przód kamienia do pizzy przechyli się wystarczająco wysoko, aby można go było chwycić i wysunąć z pomocą drugiej ręki. **Nigdy** nie próbuj usuwać kamieni do pizzy, gdy są gorące.

2 Montaż rury węża gazu (w razie potrzeby)

- ❗ Twój piec jest dostarczany z wężem gazowym i reduktorem najbardziej dostosowanym do zasilania gazem znajdującym się w regionie zakupu. Jeśli masz inną butlę gazową, skontaktuj się z pomocą techniczną Ooni.
- Wciśnij wąż na króciec.
 - Nasuń jubileuszowy zacisk na wąż.
 - Dokręć zacisk odpowiednim śrubokrętem.

3 Podłączanie do gazu

- ❗ Przed podłączeniem butli z gazem przekręć oba pokręta regulujące do pozycji OFF.

⚠ OSTRZEŻENIE

Używaj tylko z butlami o wadze poniżej 13 kg, o maksymalnej średnicy 315 mm i maksymalnej wysokości 580 mm.

Zachowaj ostrożność podczas podłączania lub wymiany butli z gazem i rób to z dala od wszelkich źródeł zapłonu.

Urządzenie i butla gazowa powinny znajdować się w odległości nie większej niż 635 mm od siebie.

Podłączaj tylko gazy wymienione na tabliczce znamionowej.

Reduktor gazu z butli

Jest to wciskana złączka gazowa. Upewnij się, że czarny przełącznik znajduje się w pozycji poziomej, a następnie naciśnij przycisk znajdujący się pod tym czarnym przełącznikiem. Wciśnij reduktor na zawór butli gazowej, aż zablokuje się na swoim miejscu.

Reduktor gazu POL

Jest to złączka gazowa gwintowana w kierunku przeciwnym do ruchu wskazówek zegara. Upewnij się, że zawór butli z gazem jest całkowicie ZAMKNIĘTY, a następnie przykręć reduktor do złączki zaworu butli gazowej do oporu.

3.1 Podłączanie butli z gazem

- Zawór butli gazowej powinien znajdować się w pozycji OFF.
- Upewnij się, że pokręta regulujące pieca są również w pozycji OFF.
- Sprawdź połączenia zaworu, port i zespół reduktora. Usuń wszelkie zanieczyszczenia i sprawdź, czy wąż nie jest uszkodzony.
- Podłącz zespół reduktora do zaworu, wciskając reduktor na zawór, obracając nakrętkę ręczną w kierunku przeciwnym do ruchu wskazówek zegara.
- Całkowicie otwórz zawór butli, obracając czarny przełącznik na reduktorze w kierunku przeciwnym do ruchu wskazówek zegara.

3.2 Testowanie szczelności

- Używając sprayu do wykrywania nieszczelności lub roztworu płynu do naczyń i wody, sprawdzaj, czy nie ma wycieków gazu za każdym razem, gdy ponownie podłączasz złączkę lub wymieniasz butlę z gazem.
- Użyj pędzla lub butelki z rozpylaczem, aby nanieść roztwór na połączenia i reduktor. Sprawdź wąż gazowy i natóż roztwór na wszelkie znalezione pęknięcia.
- Jeśli występuje wyciek, w roztworze pojawią się pęcherzyki. Jeśli zauważysz nieszczelność w złączce węża, dokręć złączkę i ponownie sprawdź, czy nie ma wycieków. Jeśli wyciek nie ustąpi lub pęknięcie węża jest nieszczelne, **nie** używaj pieca. Skontaktuj się z pomocą techniczną Ooni, aby uzyskać pomoc.
- Jeśli znajdziesz wyciek, **nie** używaj pieca; wyjmij butlę z gazem. Jeśli wyciek zostanie wykryty w piecu lub wężu, skontaktuj się z pomocą techniczną Ooni. Jeśli wyciek zostanie znaleziony na zaworze butli z gazem, skontaktuj się z dostawcą gazu.

- ❗ Wymienne reduktory muszą mieć certyfikat zgodności z normą EN16129, a węże z normą EN16436, o maksymalnej długości 1,5 m.

3.3 Odłączanie butli z gazem

- Przekręć pokręta regulujące palnikiem gazowym do pozycji OFF.
- Obróć czarny przełącznik na reduktorze zgodnie z ruchem wskazówek zegara.
- Naciśnij przycisk na reduktorze, aby zwolnić go z górnej części butli z gazem.
- Umieść osłonę przeciwpyłową na odsłoniętym zaworze butli z gazem, gdy nie jest używana.

⚠ OSTRZEŻENIE

Jeśli w jakimś momencie poczujesz zapach gazu, zamknij butlę z gazem lub zawór regulacyjny, przekręć pokręta regulujące na piecu do pozycji OFF (ZAMKNIĘTE) i zgaś otwarty ogień.

Nigdy nie sprawdzaj, czy nie ma wycieków otwartym ogniem ani nie próbuj zapalać palników podczas testowania.

4 Rozpalanie pieca Koda 2 Max

⚠ OSTRZEŻENIE

Stań z boku podczas zapalania. Nigdy nie patrz bezpośrednio w wylot pieca ani na płomień.



Jeśli którykolwiek z palników nie zapali się zgodnie z oczekiwaniami, zapoznaj się z przewodnikiem rozwiązywania problemów. Wyłącz gaz i odczekaj 5 minut przed ponowną próbą zapalania. Operuj tylko

za pomocą pokręteł regulujących. Nigdy nie dotykaj zewnętrznych metalowych powierzchni, kamienia do pizzy ani szkła, gdy piec jest włączony.

Noś rękawice chroniące przed wysoką temperaturą podczas korzystania z pieca i obsługi szczególnie gorącego urządzenia do podgrzewania.

4.1 Zapłon

- ❗ Lewe pokrętko reguluje lewy palnik. Prawe pokrętko reguluje prawy palnik.
- a. Wciśnij i przytrzymaj dowolne pokrętko regulujące, powoli obracając w kierunku przeciwnym do ruchu wskazówek zegara, aby zaiskrzyć i zapalić gaz. Po zapaleniu się palnika przytrzymaj pokrętko przez 5 sekund, aby utrzymać płomień.
- b. Sprawdź, czy gaz się zapalił.
 - Jeśli tak, przejdź do punktu 4.3.
 - Jeśli palnik się nie zapala, przełącz go do pozycji OFF, odczekaj 5 minut, a następnie spróbuj ponownie.
 - Jeśli palnik nie zapali się po drugiej próbie, przełącz go do pozycji OFF, odczekaj 5 minut, a następnie wykonaj krok 4.2.
- c. Jeśli płomień się prawidłowo zapalił, powinny wyglądać jak na ilustracji.
- d. Jeśli jeden lub oba palniki zostaną przypadkowo zgaszone, zapoznaj się z sekcją rozwiązywania problemów.

4.2 Rozpalanie pieca za pomocą uchwytu na zapalki

- ❗ Nigdy nie patrz bezpośrednio do pieca podczas rozpalania; Zawsze stój z boku i noś przez cały czas rękawiczki.
- ❗ Jeśli palniki nie zapalą się po kilku próbach użycia pokręteł regulujących, możesz zapalić je zapalką. Dostarczony uchwyt na zapalki jest przymocowany do podstawy po przeciwnej stronie panelu regulowania.
- a. Po nieudanych próbach zapalenia palnika za pomocą pokręteł regulujących, przełącz do pozycji OFF i odczekaj 5 minut, aż gaz się rozproszy.
- b. Włóż zapalkę do uchwytu, zapal ją i przyłóż palącą do jednego z palników przez otwór pieca.
- c. Wciśnij pokrętko regulujące odpowiadające temu palnikowi i powoli obróć je do maksimum. Palnik powinien natychmiast się zapalić.
- d. Kontynuuj wciskanie pokręteł regulujących przez 5 sekund po zapłonie, a następnie zwolnij.
- e. Jeśli palnik nie zapali się w ciągu kilku sekund, wyłącz pokrętko regulujące, odczekaj 5 minut, a następnie spróbuj ponownie.

4.3 Korzystanie z palników gazowych

- Obróć pokrętko regulujące, aby w razie potrzeby wyregulować odpowiednio płomień i temperaturę.
 - Palnik gazowy jest w pozycji OFF (Wyłączony).
 - Palnik gazowy jest ustawiony na **maksymalny** płomień.
 - Palnik gazowy jest ustawiony na **minimalny** płomień.
- Powtórz ten proces (zaczynając od punktu 4.1), aby zapalić drugi palnik.
- Aby wyłączyć, naciśnij **pokrętko** regulujące i obracaj zgodnie z ruchem wskazówek zegara, aż się zatrzyma i odpowiedni płomień zgaśnie.

4.4 Przygotowanie pieca przed pierwszym użyciem

- ❗ Przed pierwszym użyciem piec należy sezonować.
- ❗ Zawsze noś rękawiczki podczas wkładania ręki do pieca.
- a. Aby to zrobić, uruchom piec w najwyższej temperaturze przez 30 minut.
- b. Wyłącz piec i pozwól mu całkowicie ostygnąć, a następnie wytrzyj wnętrze suchymi ręcznikami papierowymi.

4.5 Wyłączenie pieca

- Aby wyłączyć po sezonowaniu lub gotowaniu, naciśnij pokrętkę regulującą i obracaj zgodnie z ruchem wskazówek zegara, aż się zatrzyma i odpowiedni płomień zgaśnie. Powtórz to dla obu palników.
- Zamknij dopływ gazu i odłącz reduktor.

4.6 Gotowanie w piecu

- Włącz oba palniki z pełną mocą, aby rozgrzać piec i kamień do pizzy przez co najmniej 30 minut.
- Piecz pizzę i inne suche dania na bazie chleba tylko bezpośrednio na kamieniu do pizzy. Do gotowania mięsa, warzyw lub innych potraw użyj żeliwnych akcesoriów Ooni i patelni Ooni lub innych akcesoriów do gotowania zatwierdzonych przez Ooni.
- Piec jest wyposażony w dwa niezależne palniki, umożliwiające pieczenie tylko po jednej stronie pieca, po obu stronach w tej samej temperaturze lub po obu stronach w różnych temperaturach, aby dostosować się do różnych stylów pizzy.

- !** **Nigdy** nie sięgaj do pieca, aby usunąć resztki jedzenia, które spadły na kamień do pizzy. Pozostaw je do wypalenia, a następnie wyjmij, gdy piec ostygnie. Zapoznaj się z procedurą czyszczenia kamienia do pizzy w rozdziale niniejszej instrukcji dotyczącym konserwacji, aby uzyskać dodatkowe wskazówki.
- i** Zdecydowanie zalecamy użycie cyfrowego termometru na podczerwień Ooni, aby dokładnie zmierzyć temperaturę kamienia do pizzy. Kamień do pizzy nagrzewa się wolniej niż powietrze wewnątrz pieca. (Aby upiec świetną pizzę, potrzebna jest równowaga między nimi). Dlatego ważne jest, aby używać cyfrowego termometru na podczerwień Ooni, a także cyfrowego koncentratora temperatury, aby upewnić się, że temperatury kamienia do pizzy i powietrza są zbliżone.
- i** Aby dowiedzieć się wszystkiego, co musisz wiedzieć o gotowaniu w piecu Koda 2 Max, pobierz aplikację Ooni.

5 Montaż osłony (jeśli jest wymagana)



Skanuj, aby uzyskać instrukcje wideo

- !** Noś rękawice ochronne i upewnij się, że piec jest chłodny.
- a. Otwórz zawias za pomocą klucza torx, aby poluzować śrubę w kierunku przeciwnym do ruchu wskazówek zegara.
- b. Obiema rękami wsuń prawą stronę osłony do wspornika w kształcie litery U w prawym górnym rogu wylotu pieca.
- c. Umieść lewą stronę osłony we wgłębieniu na lewym zawiasie.
- d. Umieść lewy kciuk pod zawiasem i delikatnie popchnij go do góry, aż będzie płasko przylegał do korpusu pieca. Przytrzymaj zawias w tej pozycji.
- e. Użyj klucza torx, aby dokręcić śrubę zgodnie z ruchem wskazówek zegara, blokując zawias.
- f. Upewnij się, że zawias jest zablokowany na swoim miejscu.

5.1 Zdejmowanie osłony

Aby dokładnie wyczyścić lub gotować większe porcje w piecu, wykonaj następujące czynności w celu zdjęcia osłony:

- !** Noś rękawice ochronne i upewnij się, że piec jest chłodny.
- a. Umieść lewy kciuk nad śrubą, aby podeprzeć zawias.
- b. Aby odblokować zawias, za pomocą klucza torx poluzuj śrubę w kierunku przeciwnym do ruchu wskazówek zegara.
- c. Delikatnie opuść zawias lewym kciukiem, co pozwoli na opuszczenie osłony.
- d. Obiema rękami ostrożnie podnieś lewą stronę osłony i pociągnij do przodu, aby zwolnić osłonę z prawego wspornika.
- e. Aby zamknąć zawias, umieść lewy kciuk pod zawiasem i delikatnie popchnij go do góry, aż będzie płasko przylegał do korpusu pieca. Przytrzymaj zawias na miejscu i obróć śrubę zgodnie z ruchem wskazówek zegara, aby zablokować.
- f. Upewnij się, że zawias jest zablokowany na swoim miejscu.

6 Instrukcje dotyczące pielęgnacji i konserwacji

! OSTRZEŻENIE

Nigdy nie próbuj czyścić ani konserwować, gdy piec jest gorący lub w użyciu.

Zawsze noś rękawiczki podczas czyszczenia pieca.

Nie używaj ściernych środków czyszczących ani gąbek do szorowania do czyszczenia jakiegokolwiek części pieca.

Nie używaj chemicznych środków czyszczących na pomalowanych powierzchniach.

Zachowaj ostrożność podczas czyszczenia wnętrza pieca, ponieważ mogą w nim być ostre krawędzie.

Zawsze okrywaj piec podczas przechowywania go na zewnątrz.

6.1 Czyszczenie wnętrza

- Po każdym użyciu wyłącz piec i pozwól mu całkowicie ostygnąć, a następnie wytrzyj wewnętrzne powierzchnie i wzdłuż rur palnika suchymi ręcznikami papierowymi.
- Jeśli szklana osłona jest brudna, można ją dokładnie wyczyścić wilgotną szmatką lub suchym ręcznikiem papierowym. W przypadku uporczywych plam zdejmij osłonę zgodnie z dołączoną instrukcją (krok 5.1).

6.2 Czyszczenie z zewnątrz

- Zewnętrzną skorupę pieca Koda 2 Max można przetrzeć ciepłą wodą z mydłem i natychmiast wysuszyć. Unikaj ściernych środków czyszczących lub z agresywnymi chemikaliami.
- Natychmiast wysuszyć i przykryć pokrowcem Koda 2 Max.

6.3 Czyszczenie kamieni do pizzy

- !** **Nigdy** nie używaj chemicznych środków czyszczących ani mydła do czyszczenia kamieni do picy. **Nigdy** nie wystawiaj kamieni do pizzy na działanie wody.

Nie ma potrzeby mycia kamieni do pizzy. To zupełnie normalne, że ich wygląd zmienia się z czasem.

- Włącz piec z pełną mocą na 45 minut bez gotowania w nim. Kamień do pizzy samooczyszcza się w wysokich temperaturach, a wszelkie resztki jedzenia lub zanieczyszczenia zamienią się w popiół.
- Pozostaw piec do całkowitego ostygnięcia, a następnie zetrzyj popiół szczotką Ooni do pizzy. Uwaga: Kamienie do pizzy są symetryczne i dwustronne, dzięki czemu można je odwrócić przy następnym użyciu (po ostygnięciu) i spalić wszelkie uporczywe pozostałości spod spodu.

6.4 Wymiana baterii zapłonowej

- Komora baterii zapłonowej znajduje się wewnątrz tylnej nogi.
 - Odkręć nakrętkę w kierunku przeciwnym do ruchu wskazówek zegara, aby wyjąć starą baterię i wymienić ją na nową, zwracając uwagę na oznaczenia +/-.
 - Zakręć nakrętkę z powrotem zgodnie z ruchem wskazówek zegara.
 - Bezpiecznie zutylizuj starą baterię.
- i** Jeśli przechowujesz piec dłużej niż miesiąc, wyjmij baterię.

Przedłuż gwarancję z 1 roku do 5 lat*, bezpłatnie, rejestrując produkt pod adresem ooni.com/warranty w ciągu 60 dni od zakupu.*

*Obowiązują warunki i postanowienia

Rozwiązywanie problemów

Problem	Możliwa przyczyna	Rozwiązanie
Piec się nie zapala	<ol style="list-style-type: none"> Niewłaściwe ustawienie. Niewystarczający przepływ gazu. Reduktor podłączony nieprawidłowo. Brak iskry z zapłonu. Widać iskrę lub słysząc kliknięcie, ale gaz się nie zapala. 	<ol style="list-style-type: none"> Upewnij się, że piec jest ustawiony zgodnie z krokiem 1. Upewnij się, że butla z gazem zawiera paliwo i znajduje się w pozycji pionowej; Pusta lub prawie pusta butla może być niewydajna. Sprawdź, czy węzł gazowy nie ma załamań. Upewnij się, że reduktor jest prawidłowo zamocowany do butli z gazem. Sprawdź, czy jest bateria zapłonowa, prawidłowo włożona i naładowana (krok 1.2). Upewnij się, że kabel iskierka jest prawidłowo włożony (krok 1.1). Skontaktuj się z działem obsługi klienta Ooni. W razie potrzeby możesz również użyć zapałki i uchwyty na zapałki (krok 4.2).
Palniki pieca zapalają się, ale gasną.	<ol style="list-style-type: none"> Urządzenie nadzorujące płomień (FSD) nie jest włączone. Termopara FSD jest brudna. Termopara FSD jest uszkodzona. 	<ol style="list-style-type: none"> Postępuj zgodnie z instrukcjami dotyczącymi rozpalania (krok 4). Pamiętaj, aby nacisnąć i przytrzymać pokrętkę regulującą przez co najmniej 5 sekund po zapłonie, aby włączyć urządzenie nadzorujące płomień (FSD). Wyłącz dopływ gazu, poczekaj, aż piec ostygnie, delikatnie wyczyść termoparę FSD wilgotną szmatką i pozostaw do całkowitego wyschnięcia przed ponownym rozpalaniem. (W celu ułatwienia dostępu może być konieczne zdjęcie osłony). Jeśli kroki 1 i 2 nie rozwiążą problemu, skontaktuj się z działem obsługi klienta Ooni.
Piec nie nagrzewa się wystarczająco.	<ol style="list-style-type: none"> Niewystarczający przepływ gazu. Ciśnienie butli gazowej/reduktora. Ustawienie i stanowisko pieca. Warunki pogodowe. Palnik gazowy jest podświetlony (zwykle towarzyszy temu huczący dźwięk). Oslona została zdjęta. 	<ol style="list-style-type: none"> Upewnij się, że butla z gazem zawiera paliwo i znajduje się w pozycji pionowej; Pusta lub prawie pusta butla może być niewydajna. Sprawdź, czy węzł gazowy nie ma załamań. Wybierz odpowiednią butlę z gazem (krok 3) i ciśnienie reduktora (zgodnie z tabliczką znamionową). Zobacz instrukcje ustawienia (krok 1). Używaj pieca w miejscu osłoniętym od wiatru lub przynajmniej ustaw go tak, aby jego wylot były skierowany z dala od wiatru. Na czas rozgrzewania i maksymalną temperaturę może mieć wpływ lokalizacja i warunki pogodowe. Dostosuj oczekiwany czas rozgrzewania, aby uwzględnić zmienne warunki otoczenia. Jeśli piec został wystawiony na działanie wilgoci lub zimna, wstępne nagrzanie może potrwać dłużej. Przechowuj pod wodoodporną okrywą i przynoś kamienie do pizzy do domu, gdy przez dłuższy czas nie będą używane. Postępuj zgodnie z instrukcjami, aby wyłączyć palnik gazowy, odczekaj 5 minut, a następnie ponownie rozpal piec (krok 4.1). Gotowanie bez osłony może mieć wpływ na czas podgrzewania i maksymalną temperaturę. Zamontuj ją ponownie, aby upewnić się, że można osiągnąć odpowiednią temperaturę.
Nadmiernie kopcący płomień/sadza na wnętrzu pieca i osłonie.	<ol style="list-style-type: none"> Palące się resztki jedzenia. Nieprawidłowe ustawienie lub niekompatybilna butla gazowa albo reduktor. Zablokowana zwężka gazu. 	<ol style="list-style-type: none"> Zapoznaj się z aplikacją Ooni, aby uzyskać wskazówki dotyczące gotowania. Unikaj używania zbyt dużej ilości mąki do wypieku pizzy i usuń wszelkie resztki jedzenia, które spadną na kamień do pizzy. Użyj szczotki Ooni do pieca do pizzy, aby wyczyścić kamień do pizzy pomiędzy kolejnymi wypiekami. Upewnij się, że piec jest prawidłowo zmontowany oraz że używasz właściwej butli z gazem (krok 3) i reduktora (zgodnie z tabliczką znamionową). Skontaktuj się z działem obsługi klienta Ooni.
Problemy z gotowaniem		 <p>Zeskanuj, aby pobrać aplikację Ooni i uzyskać wskazówki dotyczące robienia pizzy, przepisy i rozwiązania problemów.</p> <p>Możesz również skontaktować się z naszym działem obsługi klienta Ooni na stronie support.ooni.com</p>

Model: UU-P2B800 Ooni Koda 2 Max	I3+ (28-30/37)	I3B/P(30)	
Ooni Limited, Unit 5, Ooni Park, 189 West Main Street, Broxburn, EH52 5LH, UK	Butane	Propane	Butane, propane or their mixture
	28-30 mbar	37 mbar	28-30 mbar
Read the instructions before using this appliance. Use outdoors only. WARNING: Accessible parts may be very hot, keep young children away. Pizza oven PIN: 2575DP40644	11kw (801 g/h)	11kw (801 g/h)	
	Injector size/Marking: 1.2mm x 2 / 1.20		
	A (outdoors use only)		
	CY, GR, ES, TR	BG, CZ, DK, EE, GR, ES, FI, HR, HU, IL, IS, IT, LT, LV, NL, NO, PL, PT, RO, SA, SE, SI, SK, TR	

Jeśli problem będzie się powtarzał, skontaktuj się z działem obsługi klienta Ooni na stronie support.ooni.com.

Este manual contém informações importantes e essenciais para o funcionamento seguro do forno. Leia este manual na íntegra antes de montar, instalar, utilizar ou fazer a manutenção do forno Ooni Koda 2 Max. O não cumprimento destas instruções poderá resultar em danos materiais, incêndio, lesões corporais graves ou até mesmo a morte.

Guarde este manual para referência futura.

⚠ ADVERTÊNCIA

Leia as instruções antes de utilizar o aparelho e guarde-as para referência futura.

Este aparelho só deverá ser usado no exterior.

As peças acessíveis poderão estar muito quentes. Mantenha as crianças afastadas do aparelho.

Este aparelho deve ser mantido afastado de materiais inflamáveis durante a utilização.

Não o desloque durante a utilização.

Após a utilização, desligue a saída de gás no cilindro de gás.

Tenha cuidado ao ligar ou mudar a botija de gás e faça-o longe de qualquer fonte de ignição.

Não modifique o aparelho.

Este aparelho está extremamente quente durante a utilização.

Deixe o forno arrefecer completamente antes de o cobrir ou mover.

Opere-o utilizando apenas os manípulos. Nunca toque nas superfícies exteriores de metal, na pedra para pizzas ou no vidro enquanto o forno estiver ligado.

Ao configurar o aparelho, certifique-se de que a boca do forno está virada para o lado oposto ao vento. Coloque o forno a, pelo menos, um metro de distância de qualquer estrutura ou material combustível. Não o utilize durante tempestades ou nevoões.

Rode ambos os manípulos para a posição de OFF (desligado) antes de ligar a botija de gás.

Opere apenas com os gases indicados na placa sinalética.

Utilize apenas com botijas abaixo de 13 kg, com diâmetro máximo de 315 mm e altura máxima de 580 mm.

O tubo do gás deve ter a certificação EN16436 e um comprimento máximo de 1,5 m.

Se, a qualquer momento, sentir cheiro a gás, feche a botija de gás ou a válvula reguladora, rode os manípulos do forno para a posição de OFF e apague quaisquer chamas acesas.

Não use roupas soltas quando estiver a operar ou de pé perto do forno.

Nunca guarde botijas de gás sobresselentes debaixo ou perto do forno.

Nunca verifique se há fugas com uma chama acesa nem tente acender os bicos durante o teste.

Ao acender o forno, coloque-se de lado. Nunca se coloque diretamente em frente da boca do forno ou da chama.

Nunca use produtos químicos de limpeza ou detergentes na superfície da pedra para pizzas.

Nunca despeje água na pedra para pizzas, porque poderá causar fissuras.

Use luvas de proteção térmica ao utilizar o forno e ao manusear equipamentos de cozinha particularmente quentes.

Nunca tente limpar ou reparar o forno enquanto este estiver quente ou em uso.

Não utilize produtos de limpeza abrasivos ou esfregões para limpar qualquer parte do forno.

Utilize apenas acessórios e peças sobresselentes oficiais ou aprovados pela Ooni. Não o fazer poderá feri-lo ou causar danos ao forno ou aos seus bens.

Se o forno estiver a funcionar de forma anormal, desligue-o e contacte o apoio ao cliente da Ooni.

Substitua o tubo do gás se estiver danificado ou quando as circunstâncias locais assim o exigirem.

Os sistemas selados do aparelho não devem ser manipulados.

Tenha cuidado ao usar ou limpar o forno, porque podem estar presentes arestas afiadas.

Primeiros passos

o Conteúdo da embalagem:

- | | |
|----------------------------------|--|
| a Forno Ooni Koda 2 Max | i Centro de temperatura digital |
| b Pedra para pizzas (x2) | j Suporte de montagem |
| c Perna dianteira (x2) | k Porca manual |
| d Perna traseira | l Cabo de temperatura ambiente (x2) |
| e Pilha AA para a ignição | m Sonda termostática alimentar (x2) |
| f Chave de fendas Torx | n Pilhas AA (x2) |
| g Parafusos M5 (x10) | o Parafusos de suporte |
| h Suporte para fósforos | |
- Instruções de montagem do Koda 2 Max Instruções de montagem do centro de temperatura digital

⚠ **ATENÇÃO:** o forno é muito pesado e serão necessárias duas pessoas para o levantar, montar e posicionar.

NÃO levante o forno com as pedras para pizzas instaladas.

Segure **SEMPRE** o forno pela parte inferior da base e **NUNCA** pelo interior da cobertura superior.

1 Instalação e montagem

- Escolha uma posição e superfície adequadas para a instalação.
 - A mesa modular grande da Ooni ou outra superfície resistente de metal ou madeira são ideais para apoiar o forno. Não coloque o forno em mesas de plástico ou vidro. Certifique-se sempre de que a mesa suporta o peso do forno.
 - A superfície deverá permitir que a boca do forno fique virada contra o vento e deve estar a um metro de distância de qualquer estrutura ou material combustível.
 - Recomendamos que posicione o forno de forma a que a pedra para pizzas fique a uma altura de 1,1 m do chão.
- Retire a tampa da caixa, levantando-a e colocando-a voltada para baixo e perto de si.
- Retire a secção exterior central da caixa, erguendo-a de forma a que embalagem que protege as laterais do forno se abra.
- Com a ajuda doutra pessoa, levante cuidadosamente o forno e coloque-o voltado para baixo na tampa da caixa, para proteger o topo do aparelho. Certifique-se de que todas os elementos de embalagem sejam retirados do forno.
- Levante o divisor de papelão dentro da caixa para encontrar as pernas do forno, o centro de temperatura digital, as pedras para pizzas e outras peças necessárias para a montagem.

1.1 Junção das pernas

- Fixe a perna traseira à base com os 4 parafusos M5 usando a chave de parafusos incluída.
- Ligue o cabo da pilha de ignição à tomada na base do forno junto à perna.
- Fixe as duas pernas dianteiras usando os 3 parafusos M5 à vez.

1.2 Instalação da pilha de ignição

- i** O compartimento da pilha de ignição está localizado dentro da perna traseira.
 - Desaparafuse a tampa rodando-a para a esquerda e instale a pilha AA fornecida, prestando sempre atenção à posição das polaridades +/-.
 - Volte a enroscar a tampa rodando-a para a direita.

1.3



Siga as instruções de montagem do centro de temperatura digital para o instalar.

1.4 Inserção das pedras para pizzas

- i** As pedras para pizzas são pesadas. Tenha cuidado para não prender os dedos.
 - Se o forno estiver voltado para baixo: com a ajuda doutra pessoa, coloque cuidadosamente o forno na vertical e, em seguida, posicione-o no local onde o pretende instalar.
 - Usando ambas as mãos, levante cuidadosamente a primeira pedra para pizzas e posicione-a de modo a que o canto arredondado fique voltado para o canto traseiro do forno. Deslize a pedra para pizzas até à posição correta, tomando cuidado para não arranhar o lado das pizzas.
 - Usando as duas mãos, pegue a segunda pedra para pizzas e repita o processo do outro lado.
 - Para remover as pedras para pizzas, use uma mão para a empurrar através do orifício na base do forno até que a frente da pedra esteja alta o suficiente para que a possa agarrar e deslizar para fora usando a outra mão. **Nunca** tente remover as pedras enquanto estiverem quentes.

2 Instalação do tubo do gás (se necessário)

- i** O forno é fornecido com o tubo do gás e o regulador mais adequados ao fornecimento de gás da região onde o adquiriu. Se tiver outro tipo de botija de gás, entre em contacto com o apoio ao cliente da Ooni.
 - Empurre o tubo para a farpa.
 - Deslize o clipe Jubilee sobre o tubo.
 - Aperte o clipe com uma chave de parafusos adequada.

3 Ligação ao gás

- ⓘ Rode ambos os manípulos para a posição de OFF (desligado) antes de ligar a botija de gás.

⚠ ADVERTÊNCIA

Utilize apenas com botijas abaixo de 13 kg, com diâmetro máximo de 315 mm e altura máxima de 580 mm.

Tenha cuidado ao ligar ou mudar a botija de gás e faça-o longe de quaisquer fontes de ignição.

O aparelho e a botija de gás deverão estar separados por, no mínimo, 635 mm.

Opere apenas com os gases indicados na placa sinalética.

Regulador de gás para exteriores

Este encaixe para gás de junção. Certifique-se de que o interruptor preto está na posição horizontal e, em seguida, prima o botão localizado por baixo do interruptor preto. Empurre o regulador para a válvula da botija de gás até que aquele esteja fixado.

Regulador de gás POL

Este encaixe roscado para gás é rodado para a esquerda. Certifique-se de que a válvula da botija de gás está completamente desligada e, em seguida, enrosque o regulador no encaixe da válvula da botija de gás até ficar apertado.

3.1 Ligação da botija de gás

- A válvula da botija de gás deve estar na posição de OFF.
- Certifique-se de que os manípulos do forno também estão na posição de OFF.
- Inspecione as ligações das válvulas, a porta e a montagem do regulador. Remova todos os resíduos e inspecione o tubo para verificar se há danos.
- Ligue o conjunto regulador à válvula empurrando o regulador para a válvula e girando a porca manual para a esquerda.
- Abra completamente a válvula da botija rodando para a esquerda o interruptor preto no regulador.

3.2 Testes de fugas

- Usando um spray detetor de fugas ou uma solução de água e detergente, verifique se há fugas de gás sempre que voltar a ligar um acessório ou substituir a botija de gás.
- Use um pincel ou spray para aplicar a solução às ligações e ao regulador. Inspecione o tubo do gás e aplique a solução em quaisquer fendas que encontrar.
- Se houver uma fuga, a solução irá borbulhar. Se observar uma fuga no encaixe do tubo, aperte o encaixe e verifique novamente se existem fugas. Se a fuga persistir ou houver fendas no tubo que estejam a vazar gás, **não** use o forno. Contacte o apoio ao cliente da Ooni para obter assistência.
- Se encontrar uma fuga, **não** use o forno e retire a botija de gás. Se a fuga estiver no forno ou no tubo, contacte o apoio ao cliente da Ooni. Se a fuga se encontrar na válvula da botija de gás, contacte o fornecedor de gás.

- ⓘ Os reguladores de substituição devem ter um certificado EN16129. Os tubos devem ter um certificado EN16436 e com um comprimento máximo de 1,5 m.

3.3 Desligação da botija de gás

- Rode os manípulos dos bicos de gás para a posição de OFF.
- Rode para a direita o interruptor preto do regulador.
- Carregue no botão no regulador para o soltar da parte superior da botija de gás.
- Coloque a tampa antipoeiras na válvula da botija de gás exposta quando aquela não estiver a ser utilizada.

⚠ ADVERTÊNCIA

Se, a qualquer momento, sentir cheiro a gás, feche a botija de gás ou a válvula reguladora, rode os manípulos do forno para a posição de OFF e apague quaisquer chamas acesas.

Nunca verifique se há fugas com uma chama acesa nem tente acender os bicos durante o teste.

4 Ignição do Koda 2 Max

⚠ ADVERTÊNCIA

Ao acender o forno, coloque-se de lado. Nunca se coloque diretamente em frente da boca do forno ou da chama.



Se um dos bicos não acender de forma normal, consulte o guia de solução de problemas. Desligue o gás e aguarde 5 minutos antes de o tentar acender novamente. Use o equipamento apenas com recurso

ao manípulos. Nunca toque nas superfícies exteriores de metal, na pedra para pizzas ou no vidro enquanto o forno estiver ligado.

Use luvas de proteção térmica ao utilizar o forno e ao manusear equipamentos de cozinha particularmente quentes.

4.1 Ignição

- ⓘ O controlo esquerdo controla o bico esquerdo. O direito controla o bico direito.

 - Pressione e segure um dos manípulos enquanto o gira lentamente para a esquerda, de forma a disparar a faísca e acender o gás. Uma vez acesa, continue a segurar o controlo durante 5 segundos, para que a chama não se apague.
 - Verifique se o gás se inflamou.
 - Em caso afirmativo, avance para o ponto 4.3.
 - Se o bico não se acender, mude para a posição de OFF, aguarde 5 minutos e, em seguida, volte a tentar.
 - Se o bico não se acender após a segunda tentativa, mude para a posição de OFF, aguarde 5 minutos e, em seguida, siga o passo 4.2.
 - Se as chamas forem corretamente acesas, deverão parecer-se com a ilustração.
 - Se um ou ambos os bicos se apagarem acidentalmente, consulte a resolução de problemas.

4.2 Acender o forno com o suporte para fósforos

- ⓘ Nunca se coloque diretamente em frente do forno quando o acender. Fique sempre de lado e use luvas durante todo o processo.
- ⓘ Se os bicos não se acenderem após várias tentativas usando os manípulos, poderá recorrer a fósforos. O suporte para fósforos fornecido está ligado à base no lado oposto do painel de controlo.

 - Se já tiver tentado acender os bicos utilizando os manípulos, mude para a posição de OFF e aguarde 5 minutos até que o gás se dissipe.
 - Insira um fósforo no suporte para fósforos, acenda-o e aproxime-o dum dos bicos através da boca do forno.
 - Pressione o manípulo que corresponde ao bico e gire-o lentamente até à posição máxima. O bico deverá acender-se imediatamente.
 - Continue a pressionar o manípulo durante 5 segundos após a ignição, soltando-o em seguida.
 - Se o bico não acender em poucos segundos, rode o manípulo para a posição de OFF, aguarde 5 minutos e volte a tentar.

4.3 Utilização dos bicos de gás

- Rode o manípulo para ajustar a chama e a temperatura correspondentes, de acordo com o necessário.
 - O bico de gás está desligado (posição de OFF).
 - O bico de gás está na posição de chama **mais alta**.
 - O bico de gás está na posição de chama **mais baixa**.
- Repita o processo (a partir do ponto 4.1) para acender o segundo bico.
- Para desligar um bico, pressione o **manípulo** e gire-o completamente para a direita até que a chama correspondente se apague.

4.4 Temperar o forno

- ⓘ Deve temperar o forno antes de usar para cozinhar pela primeira vez.
- ⓘ Use sempre luvas quando meter as mãos dentro do forno.

 - Para o fazer, acenda o forno à temperatura máxima durante 30 minutos.
 - Desligue o forno e deixe-o arrefecer completamente. Em seguida, limpe o interior com papel de cozinha seco.

4.5 Desligamento do forno

- Para desligar o forno depois de o temperar ou usar para cozinhar, pressione o manípulo e gire-o completamente para a direita até que a chama correspondente se apague. Repita este processo para ambos os bicos.
- Desligue o fornecimento de gás e o regulador.

4.6 Cozinhar no forno

- Ligue ambos os bicos na potência máxima para pré-aquecer o forno e as pedras para pizzas durante, pelo menos, 30 minutos.
- Cozinhe apenas pizza e outros pratos sem molhos à base de pão diretamente na pedra para pizzas. Para cozinhar carne, legumes ou outros pratos, use a gama de produtos de ferro fundido e panelas da Ooni ou outros acessórios de cozinha aprovados pela Ooni.
- O forno está equipado com dois bicos independentes, permitindo que cozinhe apenas num lado do forno, nos dois lados à mesma temperatura, ou em ambos os lados a temperaturas variáveis, para acomodar diferentes estilos de pizza.

! **Nunca** meta as mãos no forno para limpar restos de alimentos que tenham caído na pedra para pizzas. Deixe-os queimar completamente e, em seguida, retire-os assim que o forno arrefecer. Consulte o procedimento de limpeza da pedra para pizzas na secção de manutenção deste manual, para obter sugestões adicionais.

i Recomendamos vivamente a utilização dum termómetro digital de infravermelhos da Ooni para medir com precisão a temperatura da pedra para pizzas. A pedra para pizzas será aquecida mais lentamente do que o ar dentro do forno. (Para cozinhar uma pizza perfeita, estas duas temperaturas deverão estar equilibradas.) É por isso que é importante usar um termómetro digital de infravermelhos da Ooni, bem como o centro de temperatura digital, para garantir que as temperaturas da pedra para pizzas e do ar estejam próximas uma da outra.

i Para saber tudo sobre como cozinhar com o Koda 2 Max, instale a aplicação da Ooni.

5 Instalação da viseira (se for necessária)



Digitalizar para consultar as instruções em vídeo.

- Use luvas de proteção e certifique-se de que o forno está à temperatura ambiente.
- Abra a dobradiça usando a chave Torx para soltar o parafuso rodando-o para a esquerda.
- Com ambas as mãos, desloque o lado direito da viseira para o suporte em forma de U no canto superior direito da boca do forno.
- Coloque o lado esquerdo da viseira no recesso na dobradiça esquerda.
- Coloque o polegar esquerdo sob a dobradiça e empurre-a cuidadosamente para cima até ficar encostada ao corpo do forno. Segure a dobradiça nesta posição.
- Use a chave Torx para apertar o parafuso rodando-o para a direita, o que irá bloquear a dobradiça.
- Certifique-se de que a dobradiça está fixa na posição correta.

5.1 Remoção da viseira

Para o limpar bem ou cozinhar alimentos de maiores dimensões no forno, siga estes passos para remover a viseira:

- Use luvas de proteção e certifique-se de que o forno está à temperatura ambiente.
- Coloque o polegar esquerdo acima do parafuso, apoiando a dobradiça.
- Use a chave Torx para soltar o parafuso rodando-o para a esquerda, o que irá desbloquear a dobradiça.
- Abaixe cuidadosamente a dobradiça usando o polegar esquerdo, o que permitirá baixar a viseira.
- Use ambas as mãos para levantar cuidadosamente o lado esquerdo da viseira e puxe-a para a frente para a libertar do suporte direito.
- Fara fechar a viseira, coloque o polegar esquerdo sob a dobradiça e empurre-a cuidadosamente para cima até ficar encostada ao corpo do forno. Segure a dobradiça na posição correta e rode o parafuso para a direita para a bloquear.
- Certifique-se de que a dobradiça está fixa na posição correta.

6 Instruções de manutenção e cuidados

▲ ADVERTÊNCIA

Nunca tente limpar ou reparar o forno enquanto este estiver quente ou em uso.

Use sempre luvas ao limpar o forno.

Não utilize produtos de limpeza abrasivos ou esfregões para limpar qualquer parte do forno.

Não utilize produtos químicos de limpeza em superfícies pintadas.

Tenha cuidado ao usar ou limpar o interior do forno, porque podem estar presentes arestas afiadas.

Cubra sempre o forno quando o guardar ao ar livre.

6.1 Limpeza do interior

- Após cada utilização, desligue o forno e deixe-o arrefecer completamente antes de limpar as superfícies interiores e ao longo dos tubos dos bicos com papel de cozinha seco.
- Se a viseira de vidro estiver suja, pode limpá-la cuidadosamente usando um pano húmido ou papel de cozinha seco. Para manchas mais persistentes, remova a viseira de acordo com as instruções incluídas (Passo 5.1).

6.2 Limpeza do exterior

- A cobertura externa do Koda 2 Max pode ser limpa com água morna e detergente suave, devendo ser seca imediatamente. Evite produtos de limpeza abrasivos ou com produtos químicos agressivos.
- Seque-a imediatamente e cubra-a com a cobertura do Koda 2 Max.

6.3 Limpeza das pedras para pizzas

! **Nunca** use produtos químicos de limpeza ou detergentes nas pedras para pizzas. **Nunca** as exponha à água.

Não há necessidade de lavar as pedras para pizzas. É perfeitamente normal que a sua aparência mude ao longo do tempo.

- Ligue o forno na potência máxima durante 45 minutos sem o usar para cozinhar. A pedra para pizzas será automaticamente limpa a altas temperaturas e qualquer resíduo alimentar ou detritos serão reduzidos a cinzas.
- Deixe o forno arrefecer completamente e, em seguida, escove as cinzas com uma escova de fornos para pizza da Ooni.
Nota: As pedras para pizzas do forno são simétricas e de dupla face, para que as possa virar entre utilizações (assim que estiverem frias) e queimar qualquer resíduo inferior mais resistente da próxima vez que cozinhar.


6.4 Substituição da pilha de ignição


- O compartimento da pilha de ignição está localizado dentro da perna traseira.
 - Desaperte a tampa rodando-a para a esquerda para remover e substituir a pilha antiga, prestando sempre atenção à posição das polaridades +/-.
 - Volte a enroscar a tampa rodando-a para a direita.
 - Elimine a pilha antiga em segurança.
- i** Se guardar o forno por mais de um mês, retire a pilha.

Alargue a garantia de 1 para 5 anos* gratuitamente quando registar o seu produto em [ooni.com/warranty](https://www.ooni.com/warranty) no prazo de 60 dias após a compra.*

*Sujeito aos termos e condições aplicáveis

Solução de problemas

Problema	Causa possível	Solução
O forno não se acende	<ol style="list-style-type: none"> 1. Instalação incorreta. 2. Fluxo de gás insuficiente. 3. Regulador incorretamente ligado. 4. Sem faísca de ignição. 5. Há uma faísca ou um estalido audível, mas o gás não se inflama. 	<ol style="list-style-type: none"> 1. Certifique-se de que o forno está instalado de acordo com o passo 1. 2. Certifique-se de que a botija de gás contém combustível e está na posição vertical. Uma botija vazia ou quase vazia poderá afetar o desempenho do aparelho. Verifique se há dobras no tubo do gás. 3. Certifique-se de que o regulador está corretamente ligado à botija de gás. 4. Verifique se a pilha de ignição está presente, corretamente inserida e tem carga (passo 1.2). Certifique-se de que o cabo de ignição está inserido corretamente (passo 1.1). 5. Entre em contacto com o apoio ao cliente da Ooni. Também pode acender o forno com um fósforo e o suporte para fósforos (passo 4.2), se for necessário.
Os bicos do forno acendem-se, mas não ficam acesos.	<ol style="list-style-type: none"> 1. O dispositivo automático de controlo da chama não está ativado. 2. Os binários térmicos do dispositivo automático de controlo da chama estão sujos. 3. Os binários térmicos do dispositivo automático de controlo da chama estão avariados. 	<ol style="list-style-type: none"> 1. Siga atentamente os passos de ignição (passo 4). Certifique-se de que pressiona e mantém premido o manípulo durante, pelo menos, 5 segundos após a ignição, a fim de ativar o dispositivo automático de controlo da chama. 2. Desligue o fornecimento de gás, espere até o forno arrefecer, limpe suavemente os binários térmicos do dispositivo automático de controlo da chama com um pano húmido e deixe-o secar completamente antes de voltar a acender o forno. (Talvez seja necessário remover a viseira para facilitar o acesso ao interior do forno.) 3. Se os passos 1 e 2 não resolverem o problema, contacte o apoio ao cliente da Ooni.
O forno não está a aquecer o suficiente.	<ol style="list-style-type: none"> 1. Fluxo de gás insuficiente. 2. Botija de gás/regulador de pressão. 3. Instalação e posicionamento do forno. 4. Condições meteorológicas. 5. O bico de gás está retroiluminado (normalmente acompanhado por um som explosivo). 6. A viseira foi removida. 	<ol style="list-style-type: none"> 1. Certifique-se de que a botija de gás contém combustível e está na posição vertical. Uma botija vazia ou quase vazia poderá afetar o desempenho do aparelho. Verifique se há dobras no tubo do gás. 2. Use uma botija de gás (passo 3) e uma pressão do regulador adequadas (de acordo com a placa sinalética). 3. Consulte as instruções de instalação (passo 1). Use o forno numa área protegida do vento ou, pelo menos, posicione-o de modo a que a boca fique voltada para o lado oposto de qualquer deslocação de ar. 4. O tempo de pré-aquecimento e a temperatura máxima podem ser afetados pela localização e pelas condições meteorológicas. Ajuste o tempo de pré-aquecimento esperado para ter em conta a variabilidade das condições atmosféricas. Se o forno tiver sido exposto à humidade ou ao frio, poderá demorar mais tempo a pré-aquecer. Guarde-o debaixo duma cobertura impermeável e leve as pedras para pizzas para dentro de casa se não as utilizar durante longos períodos. 5. Siga os passos para desligar o bico de gás, aguarde 5 minutos e, em seguida, volte a acender o forno (passo 4.1). 6. O tempo de pré-aquecimento e a temperatura máxima podem ser afetados ao cozinhar-se sem a viseira. Reinstale-a para garantir que atinge as temperaturas requeridas.
Cinzas ou uma chama excessivamente fuliginosa no interior do forno ou na viseira.	<ol style="list-style-type: none"> 1. Resíduos de alimentos queimados. 2. Instalação incorreta ou botija de gás ou regulador incompatíveis. 3. Venturi de gás bloqueado. 	<ol style="list-style-type: none"> 1. Consulte a aplicação da Ooni para obter orientações de culinária. Evite usar muita farinha para cobrir as pizzas e remova quaisquer restos de alimentos que caíam na pedra para pizzas. Use uma escova de fornos para pizza da Ooni para limpar a pedra para pizzas quando não estiver a usar o forno. 2. Certifique-se de que o forno está montado corretamente e que está a utilizar a botija de gás (passo 3) e o regulador corretos (de acordo com a placa sinalética). 3. Entre em contacto com o apoio ao cliente da Ooni.
Problemas de culinária		 <p>Digitalize para descarregar a aplicação da Ooni e obter sugestões de pizzas, receitas e soluções de problemas.</p> <p>Também pode contactar o apoio ao cliente da Ooni em support.ooni.com</p>

Model: UU-P2B800 Ooni Koda 2 Max	I3+ (28-30/37)	I3B/P(30)	
Ooni Limited, Unit 5, Ooni Park, 189 West Main Street, Broxburn, EH52 5LH, UK	Butane	Propane	Butane, propane or their mixture
	28-30 mbar	37 mbar	28-30 mbar
Read the instructions before using this appliance. Use outdoors only. WARNING: Accessible parts may be very hot, keep young children away.	11kw (801 g/h)	11kw (801 g/h)	
	Injector size/Marking: 1.2mm x 2 / 1.20		
	A (outdoors use only)		
	CY, GR, ES, TR	BG, CZ, DK, EE, GR, ES, FI, HR, HU, IL, IS, IT, LT, LV, NL, NO, PL, PT, RO, SA, SE, SI, SK, TR	
Pizza oven PIN: 2575DP40644	 2575-24		

Se o problema persistir, contacte o apoio ao cliente da Ooni em support.ooni.com.

Acest manual conține informații importante, esențiale pentru funcționarea în siguranță a cuptorului. Citiți acest manual în întregime înainte de asamblarea, instalarea, utilizarea sau întreținerea cuptorului Ooni Koda 2 Max. Nerespectarea acestor instrucțiuni ar putea duce la pagube materiale, incendiu, vătămări corporale grave sau chiar moarte.

Vă rugăm să păstrați acest manual pentru consultare ulterioară.

▲ AVERTISMENT

Citiți instrucțiunile înainte de a utiliza aparatul și păstrați-le pentru consultare ulterioară.

Utilizați numai în aer liber.

Piese accesibile pot fi foarte fierbinți. Țineți copiii mici la distanță.

Acest aparat trebuie ținut la distanță de materiale inflamabile în timpul utilizării.

Nu mutați aparatul în timpul utilizării.

Opriti alimentarea cu gaz de la butelia de gaz după utilizare.

Aveți grijă când atașați sau schimbați butelia de gaz și faceți acest lucru departe de orice sursă de aprindere.

Nu modificați aparatul.

Acest aparat este extrem de fierbinte în timpul utilizării.

Lăsați cuptorul să se răcească complet înainte de a-l acoperi sau de a-l muta.

Operați numai folosind butoanele rotative de comandă; nu atingeți niciodată suprafețele metalice exterioare, piatra de pizza sau sticla în timp ce cuptorul este pornit.

La montare, asigurați-vă că gura cuptorului este orientată în direcția opusă vântului. Așezați cuptorul la cel puțin un metru distanță de orice structură sau material combustibil. Nu utilizați pe furtună sau zăpadă abundentă.

Rotiți ambele butoane rotative de comandă în poziția OFF (Oprit) înainte de a conecta butelia de gaz.

Conectați numai gazele enumerate pe plăcuța de identificare.

A se utiliza numai cu butelii sub 13 kg, cu un diametru maxim de 315 mm și o înălțime maximă de 580 mm.

Furtunul de gaz trebuie să fie certificat EN16436, cu o lungime maximă de 1,5 m.

Dacă în orice moment simțiți miros de gaz, închideți butelia de gaz sau supapa regulatorului, rotiți butoanele

rotative de comandă de pe cuptor în poziția OFF (Oprit) și stingeți orice flăcări deschise.

Nu purtați haine largi atunci când operați sau stați lângă cuptor.

Nu depozitați niciodată buteliile de gaz de rezervă sub sau lângă cuptor.

Nu verificați niciodată dacă există scurgeri cu o flacără deschisă și nu încercați să aprindeți arzătoarele în timpul testării.

Stați în lateral când aprindeți. Nu priviți niciodată direct în gura cuptorului sau flacăra.

Nu utilizați niciodată agenți de curățare chimici sau săpunuri pe suprafața pietrei de pizza.

Nu turnați niciodată apă pe piatra de pizza, deoarece acest lucru poate provoca crăparea.

Purtați mănuși de protecție termică atunci când utilizați cuptorul și când manipulați echipamente de gătit deosebit de fierbinți.

Nu încercați niciodată curățarea sau întreținerea în timp ce cuptorul este fierbinte sau în uz.

Nu utilizați soluții de curățare abrazive sau bureți abrazivi pentru a curăța nicio componentă a cuptorului.

Utilizați numai accesorii și piese de schimb aprobate de Ooni sau oficiale. Nerespectarea acestui lucru poate provoca vătămări sau deteriorări ale cuptorului sau materiale.

Dacă cuptorul funcționează anormal, opriti cuptorul și contactați asistența Ooni.

Înlocuiți furtunul de gaz dacă este deteriorat sau atunci când condițiile naționale impun acest lucru.

Sistemele sigilate ale aparatului nu trebuie manipulate.

Aveți grijă atunci când utilizați sau curățați cuptorul, deoarece pot fi prezente margini ascuțite.

Introducere

o Ce conține cutia:

a	Cuptor Ooni Koda 2 Max	i	Hub digital de temperatură
b	Piatră de pizza (x2)	j	Suport de montare
c	Picior din față (x2)	k	Piuliță moletată
d	Picior din spate	l	Cablu pentru temperatura ambientă (x2)
e	Baterie AA pentru aprindere	m	Sondă alimentară (x2)
f	Cheie Torx	n	Baterii AA (x2)
g	Șuruburi M5 (x10)	o	Șuruburi suport
h	Suport pentru chibrituri		
	Instrucțiuni de asamblare Koda 2 Max		Instrucțiuni de asamblare hub digital de temperatură

⚠ **ATENȚIE:** cuptorul dvs. este foarte greu și va fi nevoie de două persoane pentru a-l ridica, asambla și poziționa.

NU ridicați cuptorul cu pietre de pizza instalate.

Țineți **ÎNTOTDEAUNA** cuptorul din partea de dedesubt a bazei, **NICIODATĂ** din interiorul carcasei superioare.

1 Configurare și asamblare

- Alegeți o poziție și o suprafață adecvate pentru configurare.
 - Masa modulară mare Ooni sau o altă suprafață robustă din metal sau lemn este ideală pentru susținerea cuptorului. Nu așezați cuptorul pe mese din plastic sau sticlă. Asigurați-vă întotdeauna că masa poate susține greutatea cuptorului.
 - Suprafața trebuie să permită ca gura cuptorului să fie orientată în direcția opusă vântului și trebuie să fie la un metru față de orice structură sau material combustibil.
 - Vă recomandăm să poziționați cuptorul astfel încât piatra de pizza să se afle la o înălțime de 1,1 m față de sol.
- Ridicați capacul de pe cutie și așezați capacul cu capul în jos în apropiere.
- Ridicați secțiunea exterioară centrală a cutiei în sus și în afară, permițând ambalajului care protejează părțile laterale ale cuptorului să se deschidă.
- Cu ajutorul unei alte persoane, ridicați cu atenție cuptorul și așezați-l cu capul în jos pe capacul cutiei pentru a proteja partea superioară. Asigurați-vă că toate ambalajele sunt scoase din cuptor.
- Ridicați separatorul de carton din interiorul cutiei pentru a dezvălui picioarele cuptorului, hubul digital de temperatură, pietrele de pizza și alte piese pentru asamblare.

1.1 Atașarea picioarelor

- Atașați piciorul din spate la bază cu 4x șuruburi M5 folosind șurubelnița inclusă.
- Conectați cablul bateriei de aprindere la priza de la baza cuptorului, lângă picior.
- Atașați cele două picioare din față folosind câte 3x șuruburi M5 pentru fiecare.

1.2 Instalarea bateriei de aprindere

- ⓘ Compartimentul bateriei de aprindere este situat în interiorul piciorului din spate.
- Deșurubați capacul în sens invers acelor de ceasornic și instalați bateria AA furnizată, acordând atenție indicațiilor +/-.
 - Înșurubați la loc capacul în sensul acelor de ceasornic.

1.3



Urmați instrucțiunile de asamblare ale hubului digital de temperatură pentru instalare.

1.4 Introducerea pietrelor de pizza

- ⓘ Pietrele de pizza sunt grele; aveți grijă să nu vă prindeți degetele.
- Dacă cuptorul este răsturnat: Cu ajutorul unei alte persoane, rotiți cu atenție cuptorul în poziție verticală și apoi poziționați-l în locația dorită.
 - Cu ambele mâini, ridicați cu atenție prima piatră de pizza și poziționați-o astfel încât colțul rotunjit să fie orientat spre colțul din spate al cuptorului. Glisați piatra de pizza în poziție, având grijă să nu zgâriați marginea pentru pizza.
 - Cu ambele mâini, ridicați a doua piatră de pizza și repetați procesul pe cealaltă parte.
 - Pentru a îndepărta oricare dintre pietrele de pizza, folosiți o mână pentru a împinge în sus prin orificiul de la baza cuptorului până când partea din față a pietrei de pizza se ridică suficient de sus pentru a o prinde și glisa în afară cu cealaltă mână. Nu încercați **niciodată** să îndepărtați pietrele de pizza în timp ce acestea sunt fierbinți.

2 Instalarea conductei furtunului de gaz (dacă este necesar)

- ⓘ Cuptorul dvs. este alimentat cu furtunul de gaz și regulatorul celei mai potrivite pentru alimentarea cu gaz din regiunea dvs. de achiziție. Dacă aveți o butelie alternativă de gaz, contactați asistența Ooni.
- Împingeți furtunul pe ștuț.
 - Glisați clema Jubilee peste furtun.
 - Strângeți clema cu o șurubelniță adecvată.

3 Conectarea la gaz

! Rotiți ambele butoane rotative de comandă în poziția OFF (Oprit) înainte de a conecta butelia de gaz.

⚠️ AVERTISMENT

A se utiliza numai cu butelii sub 13 kg, cu un diametru maxim de 315 mm și o înălțime maximă de 580 mm.

Aveți grijă când atașați sau schimbați butelia de gaz și faceți acest lucru departe de orice surse de aprindere.

Între aparat și butelia de gaz trebuie să fie o distanță de cel puțin 635 mm.

Conectați numai gazele care sunt enumerate pe plăcuța de identificare.

Regulator de gaz pentru propan

Acesta este un fitting pentru gaz cu alunecare pentru fixare. Asigurați-vă că comutatorul negru este în poziție orizontală, apoi apăsați butonul situat sub comutatorul negru. Împingeți regulatorul pe supapa buteliei de gaz până când se blochează în poziție.

Regulator de gaz POL

Acesta este un fitting de gaz filetat în sens invers acelor de ceasornic. Asigurați-vă că supapa buteliei de gaz este oprită complet, apoi înșurubați regulatorul pe fittingul supapei buteliei de gaz până când este strâns.

3.1 Conectarea buteliei de gaz

- Supapa buteliei de gaz trebuie să fie în poziția OFF (Oprit).
- Asigurați-vă că butoanele rotative de comandă ale cuptorului sunt, de asemenea, în poziția OFF (Oprit).
- Verificați conexiunile supapelor, portul și ansamblul regulatorului. Îndepărtați orice resturi și inspectați furtunul pentru a vedea dacă prezintă deteriorări.
- Conectați ansamblul regulatorului la supapă, împingând regulatorul pe supapă prin rotirea piuliței striate în sens invers acelor de ceasornic.
- Deschideți complet supapa buteliei rotind comutatorul negru al regulatorului în sens invers acelor de ceasornic.

3.2 Testarea pentru identificarea scurgerilor

- Folosind un spray pentru detectarea scurgerilor sau o soluție de apă și săpun de vase, verificați dacă există scurgeri de gaz de fiecare dată când reconectați un fitting sau înlocuiți butelia de gaz.
- Utilizați o perie sau o sticlă pentru pulverizare pentru a aplica soluția pe conexiuni și regulator. Verificați furtunul de gaz și aplicați soluția pe orice fisuri pe care le identificați.
- Dacă este prezentă o scurgere, soluția va face bule. Dacă observați o scurgere în fittingul furtunului, strângeți fittingul și verificați din nou dacă există scurgeri. Dacă scurgerea persistă sau o fisură din furtun prezintă scurgeri, **nu** folosiți cuptorul. Contactați asistența Ooni pentru ajutor.
- Dacă găsiți o scurgere, **nu** utilizați cuptorul; îndepărtați butelia de gaz. Dacă găsiți scurgerea în cuptor sau furtun, contactați asistența Ooni. Dacă găsiți scurgerea în supapa buteliei de gaz, contactați furnizorul de gaz.

! Reglatoarele de schimb trebuie să fie certificate EN16129 și furtunurile EN16436, cu o lungime maximă de 1,5 m.

3.3 Deconectarea buteliei de gaz

- Rotiți butoanele rotative de comandă ale arzătorului de gaz în poziția OFF (Oprit).
- Rotiți comutatorul negru al regulatorului în sensul acelor de ceasornic.
- Apăsați butonul de pe regulator pentru a-l elibera din partea superioară a buteliei de gaz.
- Așezați capacul de praf pe supapa expusă a buteliei de gaz atunci când nu o folosiți.

⚠️ AVERTISMENT

Dacă în orice moment simțiți miros de gaz, închideți butelia de gaz sau supapa regulatorului, rotiți butoanele rotative de comandă de pe cuptor în poziția OFF (Oprit) și stingeți orice flăcări deschise.

Nu verificați niciodată dacă există scurgeri cu o flacără deschisă și nu încercați să aprindeți arzătoarele în timpul testării.

4 Aprinderea Koda 2 Max

⚠️ AVERTISMENT

Stați în lateral când aprindeți. Nu priviți niciodată direct în gura cuptorului sau flacăra.



Dacă vreunul dintre arzătoare nu se aprinde conform așteptărilor, consultați ghidul de depanare. Opriți gazul și așteptați 5 minute înainte de a încerca să aprindeți din nou. Operați numai folosind butoanele rotative de

comandă; nu atingeți niciodată suprafețele metalice exterioare, piatra de pizza sau sticla în timp ce cuptorul este pornit.

Purtați mănuși de protecție termică atunci când utilizați cuptorul și când manipulați echipamente de gătit deosebit de fierbinți.

4.1 Aprindere

- Butonul rotativ din stânga controlează arzătorul din stânga; butonul rotativ din dreapta controlează arzătorul din dreapta.
 - Țineți apăsat oricare dintre butoanele rotative de comandă în timp ce rotiți încet în sens invers acelor de ceasornic pentru a produce scânteia și a aprinde gazul. Odată aprins, continuați să țineți apăsat timp de 5 secunde pentru a menține flacăra.
 - Verificați dacă gazul s-a aprins.
 - Dacă da, mergeți la 4.3.
 - Dacă arzătorul nu se aprinde, comutați în poziția OFF (Oprit), așteptați 5 minute, apoi încercați din nou.
 - Dacă arzătorul nu se aprinde după a doua încercare, comutați în poziția OFF (Oprit), așteptați 5 minute, apoi urmați pasul 4.2.
 - Dacă flăcările sunt aprinse corect, acestea ar trebui să arate ca ilustrația.
 - Dacă unul sau ambele arzătoare sunt stinse accidental, consultați depararea.

4.2 Aprinderea cuptorului cu suportul pentru chibrituri

- Nu priviți niciodată direct în cuptor când aprindeți; stați întotdeauna în lateral și purtați mănuși pe tot parcursul.
- Dacă arzătoarele nu se aprind după mai multe încercări folosind butoanele rotative de comandă, le puteți aprinde cu un chibrit. Suportul pentru chibrituri furnizat este atașat de bază, pe partea opusă a panoului de control.
 - Dacă ați încercat deja să aprindeți arzătoarele folosind butoanele rotative de comandă, comutați în poziția OFF (Oprit) și așteptați 5 minute pentru ca orice gaz să se disipeze.
 - Introduceți un chibrit în suportul pentru chibrituri, aprindeți chibritul și atingeți-l de unul dintre arzătoare prin gura cuptorului.
 - Împingeți butonul rotativ de comandă care corespunde arzătorului și rotiți-l încet la maximum. Arzătorul trebuie să se aprindă imediat.
 - Continuați să împingeți butonul rotativ de comandă timp de 5 secunde după aprindere, apoi eliberați-l.
 - Dacă arzătorul nu se aprinde în câteva secunde, rotiți butonul rotativ de comandă în poziția OFF (Oprit), așteptați 5 minute, apoi încercați din nou.

4.3 Utilizarea arzătoarelor cu gaz

- Rotiți butonul rotativ de comandă pentru a regla flacăra și temperatura corespunzătoare, după cum este necesar.
 - Arzătorul de gaz este oprit.
 - Arzătorul de gaz este setat la flacăra **maximă**.
 - Arzătorul de gaz este setat la flacăra **minimă**.
- Repetăți procesul (începând de la punctul 4.1) pentru a aprinde al doilea arzător.
- Pentru a opri, împingeți **butonul rotativ de comandă** și rotiți în sensul acelor de ceasornic până când se oprește și flacăra corespunzătoare se stinge.

4.4 Pregătirea pentru folosire a cuptorului

- Trebuie să vă pregătiți cuptorul pentru folosire înainte de a găti în el pentru prima dată.
- Purtați întotdeauna mănuși atunci când puneți mâna în cuptor.
 - Pentru a face acest lucru, lăsați cuptorul să meargă la temperatura maximă timp de 30 de minute.
 - Opriți cuptorul și lăsați-l să se răcească complet, apoi ștergeți interiorul cu lavete uscate de hârtie.

4.5 Oprirea cuptorului

- Pentru a opri după pregătirea pentru folosire sau gătit, împingeți butonul rotativ de comandă și rotiți în sensul acelor de ceasornic până când se oprește și flacăra corespunzătoare se stinge. Repetați pentru ambele arzătoare.
- Opriti alimentarea cu gaz și deconectați regulatorul.

4.6 Gătitul la cuptor

- Porniți ambele arzătoare la putere maximă pentru a preîncălzi cuptorul și pietrele de pizza timp de cel puțin 30 de minute.
- Gătiți numai pizza și alte feluri de mâncare uscate, pe bază de pâine, direct pe piatra de pizza. Pentru a găti carne, legume sau alte feluri de mâncare, utilizați gama din fontă Ooni și tigăile Ooni sau alte accesorii de gătit aprobate de Ooni.
- Cuptorul este prevăzut cu două arzătoare independente, permițându-vă să gătiți pe o singură parte a cuptorului, pe ambele părți la aceeași temperatură sau pe ambele părți la temperaturi diferite pentru a se potrivi diferitelor stiluri de pizza.

! Nu băgați **niciodată** mâna în cuptor pentru a îndepărta resturile alimentare care au căzut pe piatra de pizza. Lăsați-le să se ardă, apoi îndepărtați-le odată ce cuptorul s-a răcit. Consultați procedura de curățare a pietrelor de pizza din secțiunea de întreținere a acestui manual pentru sfaturi suplimentare.

i Vă recomandăm insistent să folosiți un termometru digital cu infraroșu Ooni pentru a măsura cu precizie temperatura pietrei de pizza. Piatra de pizza se va încălzi mai lent decât aerul din interiorul cuptorului. (Pentru a pregăti o pizza excelentă, aveți nevoie de un echilibru între ambele.) De aceea este important să utilizați un termometru digital cu infraroșu Ooni, precum și hubul digital de temperatură pentru a vă asigura că temperatura pietrei de pizza și a aerului se află într-un interval apropiat.

i Pentru tot ce trebuie să știți despre gătitul cu Koda 2 Max, descărcați aplicația Ooni.

5 Instalarea vizierei (dacă este necesar)



Scanați pentru a consulta instrucțiuni în format video

- Purtați mănuși de protecție și asigurați-vă că cuptorul este rece.
 - Deschideți balamaua utilizând cheia Torx pentru a slăbi șurubul în sens invers acelor de ceasornic.
 - Folosind ambele mâini, ghidați partea dreaptă a vizierei în suportul în formă de U din partea dreaptă sus a gurii cuptorului.
 - Așezați partea stângă a vizierei în locașul de pe balamaua din stânga.
 - Puneți degetul mare stâng sub balama și împingeți-o ușor în sus până când se așază plat pe corpul cuptorului. Țineți balamaua în această poziție.
 - Utilizați cheia Torx pentru a strânge șurubul în sensul acelor de ceasornic, fixând balamaua.
 - Asigurați-vă că balamaua este blocată în poziție.

5.1 Scoaterea vizierei

Pentru curățarea profundă sau gătitul alimentelor mai mari în cuptor, urmați acești pași pentru a scoate viziera:

- Purtați mănuși de protecție și asigurați-vă că cuptorul este rece.
 - Puneți degetul mare stâng deasupra șurubului pentru a susține balamaua.
 - Folosiți cheia Torx pentru a slăbi șurubul în sens invers acelor de ceasornic, deblocând balamaua.
 - Coborâți ușor balamaua folosind degetul mare stâng, ceea ce va permite vizierei să coboare.
 - Utilizați ambele mâini pentru a ridica cu atenție partea stângă a vizierei și trageți în față pentru a elibera viziera din suportul drept.
 - Pentru a închide balamaua, puneți degetul mare stâng sub balama și împingeți-o ușor în sus până când se așază plat pe corpul cuptorului. Țineți balamaua pe poziție și rotiți șurubul în sensul acelor de ceasornic pentru fixare.
 - Asigurați-vă că balamaua este blocată în poziție.

6 Instrucțiuni de îngrijire și întreținere

▲ AVERTISMENT

Nu încercați niciodată curățarea sau întreținerea în timp ce cuptorul este fierbinte sau în uz.

Purtați întotdeauna mănuși atunci când curățați cuptorul.

Nu utilizați soluții de curățare abrazive sau bureți abrazivi pentru a curăța nicio componentă a cuptorului.

Nu utilizați agenți de curățare chimici pe suprafețe vopsite.

Aveți grijă atunci când curățați interiorul cuptorului, deoarece pot fi prezente margini ascuțite.

Acoperiți întotdeauna cuptorul atunci când îl depozitați în aer liber.

6.1 Curățarea interiorului

- După fiecare utilizare, opriți cuptorul și lăsați-l să se răcească complet înainte de a șterge suprafețele interioare și de-a lungul tuburilor arzătorului cu lavete uscate de hârtie.
- Dacă viziera de sticlă este murdară, o puteți curăța cu atenție folosind o cârpă umedă sau o lavetă uscată de hârtie. Pentru pete persistente, scoateți viziera conform instrucțiunilor incluse (Pasul 5.1).

6.2 Curățarea exteriorului

- Carcasa exterioară a Koda 2 Max poate fi ștersă cu apă caldă cu săpun și uscată imediat. Evitați produsele de curățare abrazive sau cele cu substanțe chimice dure.
- Uscați imediat și acoperiți cu husa Koda 2 Max.

6.3 Curățarea pietrelor de pizza

! Nu utilizați **niciodată** agenți de curățare chimici sau săpunuri pe suprafața pietrelor de pizza. Nu expuneți **niciodată** pietrele de pizza la apă.

Nu este nevoie să spălați pietrele de pizza; este perfect normal ca aspectul lor să se schimbe în timp.

- Porniți cuptorul la putere maximă timp de 45 de minute fără a găti în el. Piatra de pizza se va curăța singură la temperaturi ridicate, iar orice reziduuri alimentare sau resturi se vor transforma în cenușă.
- Lăsați cuptorul să se răcească complet, apoi îndepărtați cenușa cu o perie pentru cuptorul de pizza Ooni. Notă: Pietrele de pizza din cuptor sunt simetrice și au două fețe, astfel încât să le puteți întoarce între utilizări (odată răcite) și să ardeți orice reziduu rezistent de dedesubt data viitoare când gătiți.

6.4 Înlocuirea bateriei de aprindere

- Compartimentul bateriei de aprindere este situat în interiorul piciorului din spate.
 - Deșurubați capacul în sens invers acelor de ceasornic pentru a scoate bateria veche și a o înlocui cu una nouă, acordând atenție indicațiilor +/-.
 - Înșurubați la loc capacul în sensul acelor de ceasornic.
 - Aruncați în siguranță bateria veche.
- i** Dacă depozitați cuptorul mai mult de o lună, scoateți bateria.

Prelunghiți garanția de 1 an la 5 ani*, gratuit, când vă înregistrați produsul pe ooni.com/warranty în termen de 60 de zile de la achiziție.*

*Se aplică termeni și condiții

Depanare

Problemă	Cauză posibilă	Soluție
Cuptorul meu nu se aprinde	<ol style="list-style-type: none"> 1. Configurare necorespunzătoare. 2. Debit insuficient de gaz. 3. Regulatorul atașat incorect. 4. Nicio scânteie de la aprindere. 5. Există o scânteie sau se aude un clic, dar gazul nu se aprinde. 	<ol style="list-style-type: none"> 1. Asigurați-vă că cuptorul este configurat conform pasului 1. 2. Asigurați-vă că butelia de gaz conține combustibil și este în poziție verticală; o butelie goală sau aproape goală ar putea afecta performanța. Verificați dacă furtunul de gaz este îndoit. 3. Asigurați-vă că regulatorul este atașat corect la butelia de gaz. 4. Verificați dacă bateria de aprindere este prezentă, introdusă corect și se încarcă (pasul 1.2). Asigurați-vă că ați introdus corect cablul aprinzătorului (pasul 1.1). 5. Vă rugăm să contactați asistența pentru clienți Ooni. De asemenea, puteți aprinde cu un chibrit și suportul pentru chibrituri (pasul 4.2), dacă este necesar.
Arzătoarele cuptorului meu se aprind, dar nu rămân aprinse.	<ol style="list-style-type: none"> 1. Dispozitivul de supraveghere a flăcării (Flame Supervision Device, FSD) nu este cuplat. 2. Termocuplul FSD este murdar. 3. Termocuplul FSD este defect. 	<ol style="list-style-type: none"> 1. Urmați îndeaproape pașii de aprindere (pasul 4). Asigurați-vă că apăsați și mențineți apăsat butonul rotativ de comandă timp de cel puțin 5 secunde după aprindere pentru a cupla dispozitivul de supraveghere a flăcării (FSD). 2. Opriți alimentarea cu gaz, așteptați ca cuptorul să se răcească, curățați cu grijă termocuplul FSD cu o cârpă umedă și lăsați-l să se usuce complet înainte de reaprindere. (Poate fi necesar să scoateți viziera pentru un acces mai ușor.) 3. Dacă pașii 1 și 2 nu remediază problema, contactați asistența pentru clienți Ooni.
Cuptorul meu nu se încălzește suficient.	<ol style="list-style-type: none"> 1. Debit insuficient de gaz. 2. Presiune butelie de gaz/regulator. 3. Configurarea și poziționarea cuptorului. 4. Condițiile meteorologice. 5. Arzătorul de gaz se aprinde într-un loc greșit (de obicei însoțit de un vuiet puternic). 6. Viziera a fost îndepărtată. 	<ol style="list-style-type: none"> 1. Asigurați-vă că butelia de gaz conține combustibil și este în poziție verticală; o butelie goală sau aproape goală ar putea afecta performanța. Verificați dacă furtunul de gaz este îndoit. 2. Alegeți o butelie de gaz adecvată (pasul 3) și o presiune adecvată a regulatorului (conform plăcuței de identificare). 3. Consultați instrucțiunile de configurare (pasul 1). Utilizați cuptorul într-o zonă ferită de vânt sau cel puțin poziționați-l astfel încât gura să fie orientată în direcția opusă vântului. 4. Timpul de preîncălzire și temperatura maximă pot fi afectate de locație și de condițiile meteorologice. Reglați timpul de preîncălzire estimat pentru a ține cont de condițiile ambientale diferite. Dacă cuptorul a fost expus la umiditate sau frig, preîncălzirea poate dura mai mult. Depozitați sub o husă impermeabilă și aduceți pietrele de pizza în interior pentru perioade lungi fără utilizare. 5. Urmați pașii pentru a opri arzătorul cu gaz, așteptați 5 minute, apoi reaprindeți cuptorul (pasul 4.1). 6. Timpul de preîncălzire și temperatura maximă pot fi afectate atunci când gătiți fără vizieră. Reinstalați pentru a vă asigura că temperaturile pot fi atinse.
Flacără excesiv de neagră/funingine pe interiorul cuptorului și vizieră.	<ol style="list-style-type: none"> 1. Se ard resturi alimentare. 2. Configurare incorectă sau butelie de gaz sau regulator incompatibil. 3. Tuburi de gaz blocate. 	<ol style="list-style-type: none"> 1. Consultați aplicația Ooni pentru instrucțiuni de gătit. Evitați să folosiți prea multă făină pentru a așeza pizza și îndepărtați orice resturi alimentare care cad pe piatra de pizza. Utilizați o perie pentru cuptorul de pizza Ooni pentru a curăța piatra de pizza între sesiunile de gătit. 2. Asigurați-vă că cuptorul este asamblat corect și că folosiți butelia de gaz corectă (pasul 3) și regulatorul corect (conform plăcuței de identificare). 3. Contactați asistența pentru clienți Ooni.
Probleme de gătit		 <p>Scanați pentru a descărca aplicația Ooni pentru sfaturi, rețete și asistență pentru pizza.</p> <p>De asemenea, puteți contacta asistența noastră pentru clienți Ooni la support.ooni.com</p>

Dacă o problemă persistă, vă rugăm să contactați asistența pentru clienți Ooni la support.ooni.com.

Model: UU-P2B800 Ooni Koda 2 Max	I3+ (28-30/37)	I3B/P(30)
Ooni Limited, Unit 5, Ooni Park, 189 West Main Street, Broxburn, EH52 5LH, UK	Butane	Propane
	28-30 mbar	37 mbar
Read the instructions before using this appliance. Use outdoors only. WARNING: Accessible parts may be very hot, keep young children away. Pizza oven PIN: 2575DP40644	11kw (801 g/h)	11kw (801 g/h)
	Injector size/Marking: 1.2mm x 2 / 1.20	
	A (outdoors use only)	
	CY, GR, ES, TR	BG, CZ, DK, EE, GR, ES, FI, HR, HU, IL, IS, IT, LT, LV, NL, NO, PL, PT, RO, SA, SE, SI, SK, TR

Tento návod obsahuje dôležité informácie nevyhnutné pre bezpečnú prevádzku vašej rúry. Pred montážou, inštaláciou, používaním alebo údržbou rúry Ooni Koda 2 Max si prečítajte celý tento návod. Nedodržanie týchto pokynov môže mať za následok poškodenie majetku, požiar, vážne telesné zranenie alebo dokonca smrť.

Túto príručku si uschovajte pre budúce použitie.

VAROVANIE

Pred použitím spotrebiča si prečítajte návod na použitie a uschovajte si ho pre budúce použitie.

Používajte len vo vonkajšom prostredí.

Dostupné časti môžu byť veľmi horúce. Udržujte mimo dosahu malých detí.

Tento spotrebič sa počas používania nesmie nachádzať v blízkosti horľavých materiálov.

Počas používania spotrebiča s ním nehýbte.

Po použití vypnite prívod plynu na plynovej fľaši.

Pri pripájaní alebo výmene plynovej fľaše postupujte opatrne a vykonávajte to mimo dosahu akéhokoľvek zdroja vznietenia.

Na spotrebiče nevykonávajte úpravy.

Tento spotrebič je počas používania veľmi horúci.

Pred zakrytím alebo premiestnením rúry ju nechajte úplne vychladnúť.

Ovládajte iba pomocou ovládacích voličov; nikdy sa nedotýkajte vonkajších kovových plôch, kameňa na pizzu alebo skla, keď je rúra zapnutá.

Pri nastavovaní dbajte na to, aby ústie rúry bolo otočené smerom od vetra. Rúru umiestnite aspoň jeden meter od akejkoľvek konštrukcie alebo horľavého materiálu. Nepoužívajte rúru v búrkovom počasí alebo pri silnom snežení.

Pred pripojením plynovej fľaše otočte oba ovládacie voliče do polohy VYP.

Pripájajte len plyny uvedené na typovom štítku.

Používajte len s fľašami s hmotnosťou do 13 kg, s maximálnym priemerom 315 mm a maximálnou výškou 580 mm.

Plynová hadica musí byť certifikovaná podľa normy EN16436 s maximálnou dĺžkou 1,5 m.

Ak kedykoľvek zacítite plyn, zatvorte plynovú fľašu alebo regulačný ventil, otočte ovládacie voliče na rúre do polohy VYP a uhasťte všetky otvorené plamene.

Pri obsluhu alebo státi v blízkosti rúry nenosite voľné oblečenie.

Nikdy neskladujte náhradné plynové fľaše pod rúrou alebo v jej blízkosti.

Počas testovania nikdy nekontrolujte tesnosť otvoreným plameňom ani sa nepokúšajte horáky zapáliť.

Pri zapalovaní stojte bokom. Nikdy sa nepozerajte priamo do ústia rúry alebo na plameň.

Na povrch kameňa na pizzu nikdy nepoužívajte chemické čistiace prostriedky alebo mydlá.

Na kameň na pizzu nikdy nelejte vodu, pretože môže dôjsť k jeho prasknutiu.

Pri používaní rúry a pri manipulácii s obzvlášť horúcim kuchynským prístrojom noste rukavice na ochranu pred teplom.

Nikdy sa nepokúšajte o čistenie alebo údržbu, keď je rúra horúca alebo sa používa.

Na čistenie žiadnej časti rúry nepoužívajte abrazívne čistiace prostriedky ani drhnuce podložky.

Používajte len príslušenstvo a náhradné diely od spoločnosti Ooni alebo oficiálne schválené spoločnosťou Ooni. V opačnom prípade môže dôjsť k poraneniu alebo poškodeniu vašej rúry alebo majetku.

Ak rúra pracuje neobvykle, vypnite ju a kontaktujte podporu spoločnosti Ooni.

Vymeňte plynovú hadicu, ak je poškodená alebo ak si to vyžadujú vnútroštátne podmienky.

S utesnenými systémami spotrebiča sa nesmie manipulovať.

Pri používaní alebo čistení rúry buďte opatrní, pretože sa v nej môžu nachádzať ostré hrany.

Začíname

o Čo je súčasťou balenia:

a Rúra Ooni Koda 2 Max

b Kameň na pizzu (x2)

c Predná noha (x2)

d Zadná noha

e Batéria AA na zapalovanie

f Kľúč Torx

g Skrutky M5 (x10)

h Držiak zápaliek

i Digitálny rozbočovač teploty

j Montážna konzola

k Palcová matica

l Kábel na meranie teploty okolia (x2)

m Potravinová sonda (x2)

n Batérie AA (x2)

o Konzolové skrutky

Montážny návod na Koda 2 Max

Pokyny na montáž digitálneho rozbočovača teploty

! POZOR: Vaša rúra je veľmi ťažká a na jej zdvihnutie, zostavenie a umiestnenie sú potrebné dve osoby.

NEZDVÍHAJTE rúru s umiestnenými kameňmi na pizzu.

VŽDY držte rúru zo spodnej strany základne, **NIKDY** ju nedržte z vnútornej strany horného plášťa.

1 Umiestnenie a montáž

a. Vyberte vhodnú polohu a povrch na umiestnenie.

i. Veľký modulárny stôl Ooni alebo iný robustný kovový alebo drevený povrch je ideálny na podopretie rúry. Rúru neumiestňujte na plastové alebo sklenené stoly. Vždy sa uistite, že stôl vydrží hmotnosť rúry.

ii. Povrch by mal umožňovať, aby ústie rúry smerovalo preč od vetra a musí byť vzdialený jeden meter od akejkoľvek konštrukcie alebo horľavého materiálu.

iii. Rúru odporúčame umiestniť tak, aby kameň na pizzu sedel vo výške 1,1 m od zeme.

b. Zdvihnite veko zo škatule a položte ho vedľa seba hore dnom.

c. Zdvihnite strednú časť vonkajšej škatule nahor a odsuňte ju, čím sa otvorí obal chrániaci boky rúry.

d. S pomocou inej osoby opatrne zdvihnite rúru a položte ju hore dnom na veko škatule, aby ste ochránili jej hornú časť. Uistite sa, že sú z rúry odstránené všetky obaly.

e. Zdvihnutím kartónovej priehradky v krabici sa odkryjú nožičky rúry, digitálny rozbočovač teploty, kamene na pizzu a ďalšie diely na montáž.

1.1 Pripevnenie nôh

a. Pripevnite zadnú nohu k základni pomocou 4x skrutiek M5 pomocou priloženého skrutkovača.

b. Zapojte kábel batérie zapalovania do zásuvky na základni rúry vedľa nohy.

c. Pripevnite dve predné nohy pomocou 3x skrutiek M5.

1.2 Montáž batérie zapalovania

i Priestor pre batériu zapalovania je umiestnený vo vnútri zadnej nohy.

a. Odskrutkujte uzáver proti smeru hodinových ručičiek a nainštalujte dodanú batériu AA, pričom dbajte na polaritu +/-.

b. Naskrutkujte uzáver späť v smere hodinových ručičiek.

1.3 Pri inštalácii postupujte podľa pokynov na montáž digitálneho rozbočovača teploty.

1.4 Vkladanie kameňov na pizzu

! Kamene na pizzu sú ťažké; dávajte pozor, aby ste si nepriškrtili prsty.

a. Ak je vaša rúra otočená hore nohami: S pomocou inej osoby opatrne otočte rúru do zvislej polohy a potom ju umiestnite na určené miesto.

b. Oboma rukami opatrne zdvihnite prvý kameň na pizzu a umiestnite ho tak, aby jeho zaoblený roh smeroval do zadného rohu rúry. Kameň na pizzu zasuňte na miesto, pričom dávajte pozor, aby ste nepoškriabali rímsu na pizzu.

c. Oboma rukami zdvihnite druhý kameň na pizzu a postup zopakujte na druhej strane.

d. Ak chcete vybrať oba kamene na pizzu, jednou rukou zatlačte nahor cez otvor v spodnej časti rúry, kým sa predná časť kameňa na pizzu nezvýši natoľko, aby ste ho mohli uchopiť a vysunúť druhou rukou. **Nikdy** sa nepokúšajte odstrániť kamene na pizzu, kým sú horúce.

2 Montáž plynovej hadice (ak je potrebná)

i Vaša rúra sa dodáva s plynovou hadicou a regulátorom, ktoré sú najvhodnejšie pre systém distribúcie plynu vo vašej oblasti nákupu. Ak máte alternatívnu plynovú fľašu, kontaktujte podporu spoločnosti Ooni.

a. Zatlačte hadicu na výstupok.

b. Zasuňte upínaciu sponu na hadicu.

c. Sponu utiahnite vhodným skrutkovačom.

3 Pripojenie na plyn

! Pred pripojením plynovej fľaše otočte oba ovládacie voliče do polohy VYP.

VAROVANIE

Používajte len s fľašami s hmotnosťou do 13 kg, s maximálnym priemerom 315 mm a maximálnou výškou 580 mm.

Pri pripájaní alebo výmene plynovej fľaše postupujte opatrne a vykonávajte to mimo dosahu akýchkoľvek zdrojov vznietenia.

Spotrebič a plynová fľaša by mali byť od seba vzdialené minimálne 635 mm.

Pripájajte len plyny, ktoré sú uvedené na typovom štítku.

Regulátor plynu na terase

Toto je násuvná plynová armatúra. Uistite sa, že je čierny spínač v horizontálnej polohe, a potom stlačte tlačidlo umiestnené pod čiernym spínačom. Zatlačte regulátor na ventil plynovej fľaše, kým sa nezaistí na svojom mieste.

Regulátor plynu POL

Ide o plynovú armatúru s ľavotočivým závitom. Uistite sa, že je ventil plynovej fľaše úplne vypnutý, potom naskrutkujte regulátor na armatúru ventilu plynovej fľaše, až kým nebude tesne dotiahnutý.

3.1 Pripojenie plynovej fľaše

- Ventil plynovej fľaše by mal byť v polohe VYP.
- Uistite sa, že aj ovládače rúry sú v polohe VYP.
- Skontrolujte pripojenia ventilov, porty a zostavu regulátora. Odstráňte všetky nečistoty a skontrolujte, či hadica nie je poškodená.
- Pripojte zostavu regulátora k ventilu zatlačením regulátora na ventil otáčaním ručnej matice proti smeru hodinových ručičiek.
- Úplne otvorte ventil fľaše otočením čierneho spínača na regulátore proti smeru hodinových ručičiek.

3.2 Kontrola tesnosti

- Pri každom opätovnom pripojení armatúry alebo výmene plynovej fľaše skontrolujte pomocou spreja na detekciu úniku alebo roztoku umývacieho prostriedku na riad a vody, či nedochádza k úniku plynu.
- Pomocou štetca alebo rozprašovača naneste roztok na prípojky a regulátor. Skontrolujte plynovú hadicu a naneste roztok na všetky zistené praskliny.
- Ak dôjde k úniku, v mieste aplikácie roztoku budú vznikať bubliny. Ak zistíte netesnosť hadicovej armatúry, dotiahnite armatúru a opätovne skontrolujte tesnosť. Ak netesnosť pretrváva alebo prasklina v hadici vykazuje únik, rúru **nepoužívajte**. Kontaktujte podporu Ooni a požiadajte o pomoc.
- Ak zistíte netesnosť, rúru **nepoužívajte**; odstráňte plynovú fľašu. Ak sa únik zistí v rúre alebo hadici, kontaktujte podporu spoločnosti Ooni. Ak sa únik zistí vo ventile plynovej fľaše, kontaktujte svojho dodávateľa plynu.

! Náhradné regulátory musia byť certifikované podľa normy EN16129 a hadice podľa normy EN16436 s maximálnou dĺžkou 1,5 m.

3.3 Odpojenie plynovej fľaše

- Otočte ovládače plynových horákov do polohy VYP.
- Otočte čierny spínač na regulátore v smere hodinových ručičiek.
- Stlačením tlačidla na regulátore ho uvoľnite z hornej časti plynovej fľaše.
- Ak nepoužívate plynovú fľašu, nasadte na jej otvorený ventil protiprachový kryt.

VAROVANIE

Ak kedykoľvek zacítite plyn, zatvorte plynovú fľašu alebo regulačný ventil, otočte ovládacie voliče na rúre do polohy VYP a uhasťte všetky otvorené plamene.

Počas testovania nikdy nekontrolujte tesnosť otvoreným plameňom ani sa nepokúšajte horáky zapáliť.

4 Zapálenie Koda 2 Max

VAROVANIE

Pri zapalovaní stojte bokom. Nikdy sa nepozerajte priamo do ústia rúry alebo na plameň.



Ak sa niektorý z horákov nezapáli podľa očakávania, pozrite si príručku na riešenie problémov. Pred ďalším pokusom o zapálenie vypnite plyn a počkajte 5 minút.

Ovládajte iba pomocou ovládacích voličov; nikdy sa nedotýkajte vonkajších kovových plôch, kameňa na pizzu alebo skla, keď je rúra zapnutá.

Pri používaní rúry a pri manipulácii s obzvlášť horúcim kuchynským prístrojom noste rukavice na ochranu pred teplom.

4.1 Zapalovanie

i Ľavý ovládaci volič ovláda ľavý horák; pravý ovládaci volič ovláda pravý horák.

- Zatlačte a podržte jeden z ovládacích voličov a pomaly otáčajte proti smeru hodinových ručičiek, aby sa zaiskrilo a zapálil plyn. Po zapálení podržte ovládač 5 sekúnd, aby sa plameň udržal.
- Skontrolujte, či sa plyn vznietil.
 - Ak áno, prejdite na bod 4.3.
 - Ak sa horák nezapáli, prepnite do polohy VYP, počkajte 5 minút a potom to skúste znova.
 - Ak sa horák nezapáli ani po druhom pokuse, prepnite do polohy VYP, počkajte 5 minút a potom postupujte podľa bodu 4.2.
- Ak sú plamene správne zapálené, mali by vyzeráť ako na obrázku.
- Ak niektorý z horákov alebo oba horáky náhodne zhasnú, pozrite si časť Riešenie problémov.

4.2 Zapálenie rúry pomocou držiaka zápaličiek

! Pri zapalovaní sa nikdy nepozerajte priamo do rúry, vždy stojte bokom a používajte rukavice.

i Ak sa horáky nezapália ani po niekoľkých pokusoch pomocou ovládacích voličov, môžete ich zapáliť zápalkou. Dodávaný držiak zápaličiek je pripravený k základni na opačnej strane ovládacieho panela.

- Ak ste sa už pokúsili zapáliť horáky pomocou ovládacích voličov, prepnite do polohy VYP a počkajte 5 minút, kým sa plyn nerozptýli.
- Vložte zápalku do držiaka zápaličiek, zapáľte zápalku a dotknite sa ňou jedného z horákov cez ústie rúry.
- Zatlačte ovládaci volič, ktorý zodpovedá horáku, a pomaly ho otočte na maximum. Horák by sa mal okamžite zapáliť.
- Po zapalovaní ešte 5 sekúnd tlačte ovládaci volič a potom ho uvoľnite.
- Ak sa horák do niekoľkých sekúnd nezapáli, otočte ovládaci volič do polohy VYP, počkajte 5 minút a potom to skúste znova.

4.3 Používanie plynových horákov

- Otáčaním ovládacieho voliča nastavte príslušný plameň a teplotu podľa potreby.
 - Plynový horák je VYPNUTÝ.
 - Plynový horák je nastavený na **maximálny** plameň.
 - Plynový horák je nastavený na **minimálny** plameň.
- Zopakujte postup (od bodu 4.1), aby ste zapálili druhý horák.
- Ak chcete vypnúť, stlačte **ovládaci volič** a otáčajte v smere hodinových ručičiek, kým sa volič nezastaví a príslušný plameň nezhasne.

4.4 Príprava vašej rúry na použitie

i Pred prvým varením v rúre musíte rúru pripraviť.

! Pri vkladaní rúk do rúry vždy používajte rukavice.

- Na tento účel zapnite rúru na 30 minút na najvyššiu teplotu.
- Vypnite rúru a nechajte ju úplne vychladnúť, potom vnútro utrite suchými papierovými utierkami.

4.5 Vypnutie rúry

- Ak chcete varnú dosku po príprave alebo varení vypnúť, zatlačte ovládací volič a otáčajte ním v smere hodinových ručičiek, kým sa nezastaví a nezhasne príslušný plameň. Tento postup zopakujte pre oba horáky.
- Uzavrite prívod plynu a odpojte regulátor.

4.6 Varenie vo vašej rúre

- Zapnite oba horáky na plný výkon, aby sa rúra a kamene na pizzu predhriali aspoň na 30 minút.
 - Priamo na kameni na pizzu pripravujte len pizzu a iné suché chlebové jedlá. Na prípravu mäsa, zeleniny alebo iných jedál použite rad liatinových panvíc Ooni a panvíc Ooni alebo iné príslušenstvo na varenie schválené spoločnosťou Ooni.
 - Rúra je vybavená dvoma nezávislými horákmi, ktoré umožňujú piecť len na jednej strane rúry, na oboch stranách pri rovnakej teplote alebo na oboch stranách pri rôznych teplotách, aby sa prispôbili rôznym štýlom pizze.
- !** Nikdy nesiahajte do rúry, aby ste odstránili zvyšky jedla, ktoré spadli na kameň na pizzu. Nechajte ich dohorieť a po vychladnutí rúry ich vyberte. Ďalšie tipy nájdete v postupe čistenia kameňa na pizzu v časti o údržbe tohto návodu.
- i** Na presné meranie teploty kameňa na pizzu odporúčame používať digitálny infračervený teplomer Ooni. Kameň na pizzu sa zohrieva pomalšie ako vzduch v rúre. (Ak chcete pripraviť skvelú pizzu, potrebujete vyváženú kombináciu oboch.) Preto je dôležité používať digitálny infračervený teplomer Ooni, ako aj digitálny teplotný rozbočovač, aby ste sa uistili, že teploty kameňa na pizzu a vzduchu sú v blízkom rozmedzí.
- i** Všetko, čo potrebujete vedieť o varení so spotrebičom Koda 2 Max, nájdete v aplikácii Ooni.

5 Inštalácia priezoru (v prípade potreby)



Skenovanie videonávodov

- !** Noste ochranné rukavice a uistite sa, že je rúra chladná.
- Otvorte záves pomocou kľúča torx na uvoľnenie skrutky proti smeru hodinových ručičiek.
 - Oboma rukami nasadte pravú stranu priezoru do držiaka v tvare písmena U v pravom hornom rohu ústia rúry.
 - Ľavú stranu priezoru vložte do priehlbiny na ľavom závесе.
 - Položte ľavý palec pod záves a jemne ho zatlačte smerom nahor, kým nebude ležať rovno na telese rúry. Držte záves v tejto polohe.
 - Pomocou kľúča torx utiahnite skrutku v smere hodinových ručičiek a zaistite záves.
 - Skontrolujte, či je záves zaistený na mieste.

5.1 Odstránenie priezoru

Pri hĺbkovom čistení alebo pečení väčších predmetov v rúre postupujte pri odstraňovaní priezoru podľa nasledujúcich krokov:

- !** Noste ochranné rukavice a uistite sa, že je rúra chladná.
- Položte ľavý palec nad skrutku, aby ste podopreli záves.
 - Pomocou kľúča torx uvoľnite skrutku proti smeru hodinových ručičiek, čím odomknete záves.
 - Jemne spustite záves ľavým palcom, čím sa priezor spustí.
 - Oboma rukami opatrne nadvihnite ľavú stranu priezoru a potiahnutím dopredu uvoľnite priezor z pravého držiaka.
 - Ak chcete záves zatvoriť, položte ľavý palec pod záves a jemne ho zatlačte smerom nahor, až kým nedosadne na telo rúry. Držte záves v polohe a otáčaním skrutky v smere hodinových ručičiek ho zaistite.
 - Skontrolujte, či je záves zaistený na mieste.

6 Pokyny na starostlivosť a údržbu

VAROVANIE

Nikdy sa nepokúšajte o čistenie alebo údržbu, keď je rúra horúca alebo sa používa.

Pri čistení rúry vždy používajte rukavice.

Na čistenie žiadnej časti rúry nepoužívajte abrazívne čistiace prostriedky ani drhnuce podložky.

Na lakované povrchy nepoužívajte chemické čistiace prostriedky.

Pri čistení vnútra rúry buďte opatrní, pretože sa v nej môžu nachádzať ostré hrany.

Pri skladovaní vonku vždy rúru zakryte.

6.1 Čistenie vnútorného priestoru

- Po každom použití rúru vypnite, nechajte ju úplne vychladnúť a potom utrite vnútorné plochy a rúry horákov suchými papierovými utierkami.
- Ak je sklenený priezor znečistený, môžete ho opatrne vyčistiť vlhkou handričkou alebo suchou papierovou utierkou. V prípade odolných škvŕn odstráňte priezor podľa priložených pokynov (krok 5.1).

6.2 Čistenie vonkajšieho povrchu

- Vonkajší plášť spotrebiča Koda 2 Max možno utrieť teplou mydlovou vodou a ihneď vysušiť. Vyhnite sa abrazívnym čistiacim prostriedkom alebo prostriedkom s agresívnymi chemikáliami.
- Okamžite vysušte a zakryte krytom Koda 2 Max Cover.

6.3 Čistenie kameňov na pizzu

- !** Na povrch kameňov na pizzu **nikdy** nepoužívajte chemické čistiace prostriedky alebo mydlá. **Nikdy** nevystavujte svoje kamene na pizzu vode.

Kamene na pizzu nie je potrebné umývať; je úplne normálne, že sa ich vzhľad časom mení.

- Zapnite rúru na plný výkon na 45 minút bez pečenia. Kameň na pizzu sa pri vysokých teplotách sám vyčistí a všetky zvyšky jedla alebo nečistoty sa zmenia na popol.
- Nechajte rúru úplne vychladnúť a potom ju očistite od popola pomocou kefy na pizzu Ooni. Poznámka: Vaše kamene na pizzu v rúre sú symetrické a obojstranné, takže ich môžete medzi jednotlivými použitiami otočiť (po vychladnutí) a pri ďalšom pečení spáliť všetky odolné zvyšky zospodu.


6.4 Výmena batérie zapalovania

- Priestor pre batériu zapalovania je umiestnený vo vnútri zadnej nohy.
 - Odskrutkujte kryt proti smeru hodinových ručičiek, aby ste odstránili starú batériu a vymeňte ju za novú, pričom dbajte na polaritu +/-.
 - Naskrutkujte uzáver späť v smere hodinových ručičiek.
 - Starú batériu bezpečne zlikvidujte.
- i** Ak rúru skladujete dlhšie ako jeden mesiac, vyberte batériu.


Predĺžte si 1-ročnú záruku na 5 rokov* zadarmo, keď zaregistrujete svoj produkt na stránke ooni.com/warranty do 60 dní od zakúpenia.*

*Platia zmluvné podmienky

Riešenie problémov

Vydanie	Možná príčina	Riešenie
Moja rúra sa nezapáli	<ol style="list-style-type: none"> Nesprávne nastavenie. Nedostatočný prítok plynu. Regulátor je nesprávne pripojený. Žiadna iskra zo zapalovania. Zaznie zvuk iskry alebo počuteľné cvaknutie, ale plyn sa nezapáli. 	<ol style="list-style-type: none"> Skontrolujte, či je rúra umiestnená podľa kroku 1. Uistite sa, že plynová fľaša obsahuje palivo a je vo vzpriamenej polohe; prázdna alebo takmer prázdna fľaša by mohla ovplyvniť výkon. Skontrolujte, či nie je plynová hadica zalomená. Skontrolujte, či je regulátor správne pripojený k plynovej fľaši. Skontrolujte, či je batéria zapalovania prítomná, správne vložená a nabitá (krok 1.2). Skontrolujte, či je kábel zapalovania správne zasunutý (krok 1.1). Kontaktujte zákaznicku podporu spoločnosti Ooni. V prípade potreby môžete zapalovať aj zápalkami a držiakom zápalek (krok 4.2).
Horáky v rúre sa zapália, ale nezostanú horieť.	<ol style="list-style-type: none"> Prístroj na kontrolu plameňa (FSD) nie je zapnutý. Termočlánok FSD je znečistený. Termočlánok FSD je vadný. 	<ol style="list-style-type: none"> Pozorne sledujte kroky zapalovania (krok 4). Uistite sa, že ste po zapálení stlačili a podržali ovládací volič aspoň 5 sekúnd, aby sa aktivoval prístroj na kontrolu plameňa (FSD). Vypnite prívod plynu, počkajte, kým rúra vychladne, jemne očistite termočlánok FSD vlhkou handričkou a pred opätovným zapálením ho nechajte úplne vyschnúť. (Pre ľahší prístup môže byť potrebné odstrániť priezor.) Ak kroky 1 a 2 problém neodstránia, kontaktujte zákaznicku podporu spoločnosti Ooni.
Moja rúra nie je dostatočne horúca.	<ol style="list-style-type: none"> Nedostatočný prítok plynu. Tlak v plynovej fľaši/regulátore. Nastavenie a umiestnenie rúry. Poveternostné podmienky. Plynový horák je podsvietený (zvyčajne sprevádzaný hučiacim zvukom). Priezor bol odstránený. 	<ol style="list-style-type: none"> Uistite sa, že plynová fľaša obsahuje palivo a je vo vzpriamenej polohe; prázdna alebo takmer prázdna nádoba by mohla ovplyvniť výkon. Skontrolujte, či nie je plynová hadica zalomená. Vyberte vhodnú plynovú fľašu (krok 3) a tlak regulátora (podľa typového štítku). Pozrite si pokyny na umiestnenie (krok 1). Rúru používajte na mieste chránenom pred vetrom alebo ju aspoň umiestnite tak, aby ústie smerovalo preč od vetra. Čas predhrievania a maximálna teplota môžu byť ovplyvnené miestom a poveternostnými podmienkami. Upravte očakávaný čas predohrevu, aby ste zohľadnili rôzne okolité podmienky. Ak bola rúra vystavená vlhkosti alebo chladu, môže jej predhriatie trvať dlhšie. Skladujte ich pod vodotesným krytom a počas dlhšieho obdobia bez použitia preneste kamene na pizzu do interiéru. Postupujte podľa pokynov na vypnutie plynového horáka, počkajte 5 minút a potom rúru znovu zapáľte (krok 4.1). Čas predhrievania a maximálna teplota môžu byť ovplyvnené pri varení bez priezoru. Opätovnou inštaláciou zabezpečte dosiahnutie požadovaných teplôt.
Nadmerný plameň/sadze na vnútornej priestore rúry a priezore.	<ol style="list-style-type: none"> Spaľovanie zvyškov jedla. Nesprávne nastavenie alebo nekompatibilná plynová fľaša alebo regulátor. Zablokovaný Venturiho otvor pre plyn. 	<ol style="list-style-type: none"> Pokyny na varenie nájdete v aplikácii Ooni. Pri pečení pizze nepoužívajte príliš veľa múky a odstráňte všetky zvyšky jedla, ktoré spadnú na kameň na pizzu. Na čistenie kameňa na pizzu medzi pečením používajte kefku na pizzu Ooni. Uistite sa, že je rúra správne zostavená a že používate správnu plynovú fľašu (krok 3) a regulátor (podľa výrobného štítku). Kontaktujte zákaznicku podporu spoločnosti Ooni.
Problémy s varením		 <p>Skenujte a stiahnite si aplikáciu Ooni, kde nájdete tipy na pizzu, recepty a riešenie problémov.</p> <p>Môžete tiež kontaktovať našu zákaznicku podporu Ooni na stránke support.ooni.com</p>

Ak problém pretrváva, kontaktujte zákaznicku podporu spoločnosti Ooni na adrese support.ooni.com.

Model: UU-P2B800 Ooni Koda 2 Max	I3+ (28-30/37)	I3B/P(30)	
Ooni Limited, Unit 5, Ooni Park, 189 West Main Street, Broxburn, EH52 5LH, UK	Butane	Propane	Butane, propane or their mixture
	28-30 mbar	37 mbar	28-30 mbar
Read the instructions before using this appliance. Use outdoors only. WARNING: Accessible parts may be very hot, keep young children away.	11kw (801 g/h)	11kw (801 g/h)	
	Injector size/Marking: 1.2mm x 2 / 1.20		
	A (outdoors use only)		
	CY, GR, ES, TR	BG, CZ, DK, EE, GR, ES, FI, HR, HU, IL, IS, IT, LT, LV, NL, NO, PL, PT, RO, SA, SE, SI, SK, TR	
Pizza oven PIN: 2575DP40644	 2575-24		

Ta priročnik vsebuje pomembne informacije, ki so bistvene za varno delovanje vaše peči. Preden sestavite, namestite, uporabite ali servisirate peč Ooni Koda 2 Max, preberite ta priročnik v celoti. Neupoštevanje teh navodil lahko povzroči premoženjsko škodo, požar, hude telesne poškodbe ali celo smrt.

Priročnik shranite za prihodnjo uporabo.

⚠ OPOZORILO

Pred uporabo naprave preberite navodila in jih shranite za prihodnjo uporabo.

Uporabljajte samo na prostem.

Dostopni deli so lahko zelo vroči. Majhnim otrokom onemogočite pristop.

Ta naprava mora med uporabo ne sme biti v bližini vnetljivih materialov.

Naprave ne premikajte med uporabo.

Po uporabi izklopite dovod plina na plinski jeklenki.

Pri priključitvi ali menjavi plinske jeklenke bodite previdni in to storite daleč od kakršnega koli vžiga.

Na napravi ne izvajajte sprememb.

Ta naprava je med uporabo zelo vroča.

Preden peč pokrijete ali premaknete, jo pustite, da se popolnoma ohladi.

Upravljajte samo s kontrolnimi gumbi; ko je peč vklopljena, se nikoli ne dotikajte zunanjih kovinskih površin, kamna za pico ali stekla.

Pri postavljanju peči se prepričajte, da je odprtina peči obrnjena stran od vetra. Peč postavite vsaj en meter stran od kakršne koli konstrukcije ali gorljivega materiala. Ne uporabljajte v nevihtnem vremenu ali ob močnem sneženju.

Preden priključite plinsko jeklenko, obrnite oba kontrolna gumba v položaj OFF (izklopljeno).

Priključite samo pline, navedene na ploščici za tehnične navedbe.

Uporabljajte samo z jeklenkami, lažjimi od 13 kg, z največjim premerom 315 mm in največjo višino 580 mm.

Plinska cev mora biti certificirana v skladu z EN16436 z največjo dolžino 1,5 m.

Če zavohate plin, zaprite plinsko jeklenko ali regulacijski ventil, obrnite kontrolna gumba na peči v položaj OFF (izklopljeno) in ugasnite vse odprte plamene.

Ko upravljate peč ali stojite v njeni bližini, ne nosite ohlapnih oblačil.

Rezervnih plinskih jeklenk nikoli ne shranjujte pod peč ali v njeni bližini.

Pušcanja plina nikoli ne preverjajte z odprtim plamenom in med preskušanjem ne poskušajte vžgati gorilnikov.

Pri vžigu stojte ob strani. Nikoli ne glejte neposredno v odprtino peči ali v plamen.

Na površini kamna za pico nikoli ne uporabljajte kemičnih čistil ali mil.

Po kamnu za pico nikoli ne polivajte vode, saj se lahko razpoči.

Med uporabo peči in rokovanjem s posebej vročimi kuhalnimi aparati nosite toplotno odporne zaščitne rokavice.

Čiščenja ali vzdrževanja nikoli ne izvajajte, ko je peč vroča ali v uporabi.

Za čiščenje katerega koli dela peči ne uporabljajte abrazivnih čistil ali abrazivnih čistilnih gob.

Uporabljajte samo pripomočke in rezervne dele, ki jih je odobrilo podjetje Ooni, oziroma uradne dodatke in rezervne dele. Če tega ne upoštevate, lahko poškodujete peč ali lastnino.

Če peč ne deluje normalno, jo izklopite in se obrnite na podporo podjetja Ooni.

Če je plinska cev poškodovana ali če to zahtevajo nacionalni pogoji, jo zamenjajte.

Zaprlih sistemov naprave se ne sme spreminjati.

Pri uporabi ali čiščenju peči bodite previdni zaradi morebitnih ostrih robov na peči.

Prvi koraki

○ Kaj je v škatli:

- a** Peč Ooni Koda 2 Max
- b** Kamen za pico (x2)
- c** Sprednja noga (x2)
- d** Zadnja noga
- e** Baterija AA za vžig
- f** Ključ torx
- g** Vijaki M5 (x10)
- h** Držalo za vžigalice

- i** Digitalni regulator temperature
- j** Montažni nosilec
- k** Narebrena matica
- l** Kabel temperature okolice (x2)
- m** Sonda za hrano (x2)
- n** Baterije AA (x2)
- o** Vijaki nosilcev

Navodila za montažo Koda 2 Max

Navodila za sestavljanje digitalnega regulatorja temperature

⚠ **POZOR:** vaša peč je zelo težka in potrebni bosta dve osebi, da jo dvigneta, sestavita in postavita.

Peči **NE** dvigujte z vstavljenimi kamni za pico.

Peč **VEDNO** držite s spodnje strani podnožja, **NIKOLI** z notranje strani zgornjega dela.

1 Namestitev in montaža

- a. Izberite primerno mesto in površino za namestitev.
 - i. Za podporo peči je idealna velika modularna miza Ooni ali druga robustna kovinska ali lesena površina. Peči ne postavljajte na plastične ali steklene mize. Vedno se prepričajte, da lahko miza prenese težo peči.
 - ii. Površina mora omogočati, da je odprtina peči obrnjena stran od vetra in mora biti en meter oddaljena od kakršne koli strukture ali gorljivega materiala.
 - iii. Priporočamo, da peč postavite tako, da kamen za pico sedi na višini 1,1 m od tal.
- b. Dvignite pokrov s škatle in ga obrnjenega na glavo odložite nekje v bližini.
- c. Osrednji del zunanje škatle dvignite navzgor in stran, da se embalaža, ki ščiti stranice peči, odpre.
- d. S pomočjo druge osebe previdno dvignite peč in jo postavite obrnjeno na glavo na pokrov škatle, da zaščitite vrh. Prepričajte se, da je vsa embalaža odstranjena iz peči.
- e. Dvignite kartonsko pregrado znotraj škatle, da razkrijete noge peči, digitalni regulator temperature, kamne za pico in druge dele za montažo.

1.1 Pritrditev nog

- a. Zadnjo nogo pritrdite na podnožje s priloženim izvijačem in 4 vijaki M5.
- b. Kabel baterije za vžig priključite v vtičnico na dnu peči poleg noge.
- c. Sprednji nogi pritrdite s 3 vijaki M5 za vsako nogo.

1.2 Namestitev baterije za vžig

- ⓘ Prostor baterije za vžig se nahaja v zadnji nogi.
 - a. Odvijte pokrovček v nasprotni smeri urinega kazalca in namestite priloženo baterijo AA, pri čemer bodite pozorni na pola +/-.
 - b. Privijte pokrovček v smeri urinega kazalca.



Za namestitev upoštevajte navodila za sestavljanje digitalnega regulatorja temperature.

1.4 Vstavljanje kamnov za pico

- ⓘ Kamni za pico so težki; pazite, da vam ne stisnejo prstov.
 - a. Če je peč obrnjena na glavo: S pomočjo druge osebe previdno obrnite peč pokonci in jo nato postavite na predvideno mesto.
 - b. Z obema rokama previdno dvignite prvi kamen za pico in ga položite tako, da je zaobljen vogal obrnjen proti zadnjemu kotu peči. Kamen za pico potisnite na njegovo mesto in pazite, da ne opraskate police za pico.
 - c. Z obema rokama dvignite drugi kamen za pico in ponovite postopek na drugi strani.
 - d. Če želite odstraniti kamen za pico, z eno roko potisnite odspodaj navzgor skozi luknjo na dnu peči, dokler sprednji del kamna za pico ni nagnjen dovolj visoko, da ga lahko zgrabite z drugo roko in ga nato z obema rokama izvlečete. **Nikoli** ne poskušajte odstraniti kamnov za pico, ko so vroči.

2 Namestitev cevi za plin (če je potrebno)

- ⓘ Vaša peč je opremljena s plinsko cevjo in regulatorjem, najbolj primernim za oskrbo s plinom v vaši regiji nakupa. Če imate drugačne plinsko jeklenko, se obrnite na podporo podjetja Ooni.
 - a. Potisnite cev na nastavek.
 - b. Potisnite objemno sponko po cevi.
 - c. Sponko učvrstite z ustreznim izvijačem.

3 Priključitev na plin

! Preden priključite plinsko jeklenko, obrnite oba kontrolna gumba v položaj OFF (Izklopljeno).

⚠ OPOZORILO

Uporabljajte samo z jeklenkami, lažjimi od 13 kg, z največjim premerom 315 mm in največjo višino 580 mm.

Pri nameščanju ali menjavi plinske jeklenke bodite previdni in to storite daleč od kakršnih koli virov vžiga.

Naprava in plinska jeklenka morata biti med seboj oddaljeni najmanj 635 mm.

Priključite samo pline, ki so navedeni na ploščici za tehnične navedbe.

Plinski regulator za zunanjo uporabo

To je potisni plinski priključek. Prepričajte se, da je črno stikalo v vodoravnem položaju, nato pritisnite gumb pod črnim stikalom. Regulator potisnite na ventil plinske jeklenke, dokler se ne zaskoči.

Plinski regulator tipa POL

To je plinski priključek z navojem v nasprotni smeri urinega kazalca. Prepričajte se, da je ventil plinske jeklenke v celoti zaprt, nato pa regulator tesno privijte na ventil plinske jeklenke.

3.1 Priključitev plinske jeklenke

- Ventil plinske jeklenke mora biti v položaju OFF (Izklopljeno).
- Prepričajte se, da sta tudi kontrolna gumba peči v položaju OFF (Izklopljeno).
- Preglejte priključke ventilov, vrata in sklop regulatorja. Odstranite morebitne tujke in preverite, da cev ni poškodovana.
- Sklop regulatorja priključite na ventil, tako da regulator potisnete na ventil in vrtite matico v nasprotni smeri urinega kazalca.
- Popolnoma odprite ventil jeklenke z obračanjem črnega stikala na regulatorju v nasprotni smeri urinega kazalca.

3.2 Preverjanje za morebitno uhajanje plina

- Vsakič, ko ponovno priključite priključek ali zamenjate plinsko jeklenko, preverite za morebitno uhajanje plina z razpršilom za odkrivanje uhajanja ali z raztopino detergenta za pomivanje posode in vode.
- S krtačko ali razpršilko nanesite raztopino na priključke in regulator. Preglejte plinsko cev in raztopino nanesite na morebitne razpoke.
- Če prihaja do uhajanja plina, se bodo v raztopini začeli pojavljati mehurčki. Če opazite uhajanje plina na priključku cevi, ga privijte in ponovno preverite, ali pušča. Če uhajanje ni odpravljeno ali če plin uhaja skoti razpoko v cevi, peči **ne** uporabljajte. Za pomoč se obrnite na podporo podjetja Ooni.
- Če odkrijete uhajanje plina, peči **ne** uporabljajte; odstranite plinsko jeklenko. Če odkrijete, da plin uhaja v peči ali na cevi, se obrnite na podporo podjetja Ooni. Če odkrijete, da plin uhaja na ventilu plinske jeklenke, se obrnite na svojega dobavitelja plina.

! Nadomestni regulatorji morajo biti certificirani v skladu z EN16129, cevi pa v skladu z EN16436, z največjo dolžino 1,5 m.

3.3 Odklop plinske jeklenke

- Kontrolna gumba plinskega gorilnika obrnite v položaj OFF (Izklopljeno).
- Črno stikalo zasukajte v smeri urinega kazalca.
- Pritisnite gumb na regulatorju, da ga sprostite z vrha plinske jeklenke.
- Ko jeklenke ne uporabljate, namestite zaščitni pokrovček na izpostavljeni ventil plinske jeklenke.

⚠ OPOZORILO

Če zavohate plin, zaprite plinsko jeklenko ali regulacijski ventil, obrnite kontrolna gumba na peči v položaj OFF (Izklopljeno) in ugasnite vse odprte plamene.

Puščanja plina nikoli ne preverjajte z odprtim plamenom in med preskušanjem ne poskušajte vžgati gorilnikov.

4 Prižiganje peči Koda 2 Max

⚠ OPOZORILO

Pri vžigu stojte ob strani. Nikoli ne glejte neposredno v odprtino peči ali v plamen.



se nikoli ne dotikajte zunanjih kovinskih površin, kamna za pico ali stekla.

Če se kateri od gorilnikov ne vžge, kot bi se moral, glejte vodnik za odpravljanje težav. Ugasnite plin in počakajte 5 minut, preden poskusite ponovno prižgati. Upravljajte samo s kontrolnima gumboma; ko je peč vklopljena,

Med uporabo peči in rokovanjem s posebej vročimi kuhalnimi aparati nosite toplotno odporne zaščitne rokavice.

4.1 Vžig

- Levi gumb upravlja levi gorilnik; desni gumb upravlja desni gorilnik.
 - Če želite aktivirati iskro in prižgati plin, potisnite enega od kontrolnih gumbov in ga pridržite pritisnjene ter ga hkrati počasi zavrtite v nasprotni smeri urinega kazalca. Ko se plin vžge, držite gumb pritisnjen še 5 sekund, da ohranite plamen.
 - Preverite, ali se je plin vžgal.
 - Če je odgovor pritrdilen, pojdite na korak 4.3.
 - Če se gorilnik ne prižge, preklopite v položaj OFF (Izklopljeno), počakajte 5 minut in poskusite znova.
 - Če se gorilnik po drugem poskusu ne prižge, preklopite v položaj OFF (Izklopljeno), počakajte 5 minut in sledite koraku 4.2.
 - Če se plameni pravilno vžgejo, bi morali biti videti kot na ilustraciji.
 - Če eden ali oba gorilnika nehote ugasneta, glejte poglavje o odpravljanju težav.

4.2 Prižiganje peči z držalom za vžigalice

- Pri prižiganju nikoli ne glejte neposredno v peč; vedno stojte ob strani in ves čas nosite rokavice.
- Če se gorilniki po več poskusih uporabe kontrolnih številčnic ne prižgejo, jih lahko prižgete z vžigalico. Priloženo držalo za vžigalice je pritrjeno na podnožje na nasprotni strani nadzorne plošče.
 - Če ste gorilnike že poskusili prižgati s kontrolnima gumboma, ju preklopite v položaj OFF (Izklopljeno) in počakajte 5 minut, da se plin razprši.
 - V držalo za vžigalice vstavite vžigalico, jo vžgite in jo skozi odprtino peči pritaknite k enemu od gorilnikov.
 - Potisnite kontrolni gumb ustreznega gorilnika, in ga počasi obrnite do konca. Gorilnik bi se moral takoj prižgati.
 - Kontrolni gumb držite pritisnjen še 5 sekund po vžigu, nato pa ga sprostite.
 - Če se gorilnik v nekaj sekundah ne prižge, zasučite kontrolni gumb v položaj OFF (Izklopljeno), počakajte 5 minut in poskusite znova.

4.3 Uporaba plinskih gorilnikov

- Obrnite kontrolni gumb, da ustrezno prilagodite plamen in temperaturo.
 - Plinski gorilnik je IZKLOPLJEN.
 - Plinski gorilnik je nastavljen na **največji** plamen.
 - Plinski gorilnik je nastavljen na **najmanjši** plamen.
- Ponovite postopek (začnite pri koraku 4.1), da prižgete drugi gorilnik.
- Če ga želite izklopiti, pritisnite **kontrolni gumb** in ga zavrtite v smeri urinega kazalca, dokler se gumb ne zaustavi in se ustrezni plamen ne ugasne.

4.4 Priprava peči

- Peč morate pred prvo peko v njej ustrezno pripraviti.
- Ko vstavljate roko v peč, vedno nosite rokavice.
 - Če želite peč pripraviti, naj deluje pri najvišji temperaturi 30 minut.
 - Peč izklopite in pustite, da se popolnoma ohladi, nato notranjost obrišite s suhimi papirnatimi brisačami.

4.5 Izkllop peči

- Če želite peč izklopiti po pripravi ali peki, pritisnite kontrolni gumb in ga zavrtite v smeri urinega kazalca, dokler se gumb ne zaustavi in se ustrezni plamen ne ugasne. Ponovite za oba gorilnika.
- Izklopite dovod plina in odklopite regulator.

4.6 Peka v peči

- Če želite peč in kamne za pico predgreti, vklopite oba gorilnika pri polni moči in naj delujeta vsaj 30 minut.
- Pico in druge suhe jedi na osnovi kruha pecite samo neposredno na kamnu za pico. Za peko mesa, zelenjave ali drugih jedi uporabite posodo iz litega železa Ooni in ponve Ooni ali druge kuhalne uradne dodatke podjetja Ooni.
- Peč je opremljena z dvema ločenima gorilnikoma, ki omogočata peko samo na eni strani peči, na obeh straneh pri enaki temperaturi ali na obeh straneh pri različnih temperaturah, kar omogoča različne načine priprave pice.

! **Nikoli ne** posegajte v peč, da bi odstranili ostanke hrane, ki so padli na kamen za pico. Pustite jih, naj zgorijo, nato pa jih odstranite, ko se peč ohladi. Za dodatne nasvete glejte postopek čiščenja kamna za pico v razdelku za vzdrževanje v tem priročniku.

i Toplo priporočamo uporabo digitalnega infrardečega termometra Ooni za natančno merjenje temperature kamna za pico. Vaš kamen za pico se bo segrel počasneje kot zrak v peči. (Za peko odlične pice potrebujete ravnovesje obojega.) Zato je pomembno, da uporabite digitalni infrardeči termometer Ooni in digitalni regulator temperature, da zagotovite, da sta temperatura kamna za pico in temperatura zraka približno enaki.

i Za vse, kar morate vedeti o peki s pečjo Koda 2 Max, prenesite aplikacijo Ooni.

5 Namestitev vizirja (če je potrebno)



Iskanje video navodil

! Nosite zaščitne rokavice in poskrbite, da bo peč hladna.

- Odprite tečaj s ključem torx in sprostite vijak v nasprotni smeri urinega kazalca.
- Z obema rokama usmerite desno stran vizirja v nosilec oblike črke U v zgornjem desnem kotu odprtine peči.
- Levo stran vizirja postavite v vdolbino na levem tečaju.
- Levi palec položite pod tečaj in ga nežno potisnite navzgor, dokler ne leži plosko z ohišjem peči. Tečaj držite v tem položaju.
- S ključem torx privijte vijak v smeri urinega kazalca in tako zaklenite tečaj.
- Prepričajte se, da je tečaj zaklenjen na svojem mestu.

5.1 Odstranjevanje vizirja

Za globinsko čiščenje ali peko večjih jedi v peči sledite tem korakom, da odstranite vizir:

! Nosite zaščitne rokavice in poskrbite, da bo peč hladna.

- Levi palec postavite nad vijak, da podprete tečaj.
- Uporabite ključ torx in sprostite vijak v nasprotni smeri urinega kazalca ter tako odklenite tečaj.
- Tečaj nežno spustite z levim palcem, kar bo omogočilo, da se vizir spusti.
- Z obema rokama previdno dvignite levo stran vizirja in povlecite naprej, da sprostite vizir iz desnega nosilca.
- Za zapiranje tečaja položite levi palec pod tečaj in ga nežno potisnite navzgor, dokler ne leži plosko z ohišjem peči. Tečaj držite na mestu in vijak privijte v smeri urinega kazalca, da se zaklene.
- Prepričajte se, da je tečaj zaklenjen na svojem mestu.

6 Navodila za nego in vzdrževanje

▲ OPOZORILO

Čiščenja ali vzdrževanja nikoli ne izvajajte, ko je peč vroča ali v uporabi.

Pri čiščenju peči vedno nosite rokavice.

Za čiščenje katerega koli dela peči ne uporabljajte abrazivnih čistil ali abrazivnih čistilnih gobic.

Na barvanih površinah ne uporabljajte kemičnih čistil.

Pri čiščenju notranjosti peči bodite previdni zaradi morebitnih ostrih robov na peči.

Pri shranjevanju na prostem peč vedno pokrijte.

6.1 Čiščenje notranjosti

- Po vsaki uporabi peč izklopite in pustite, da se popolnoma ohladi, preden s suhimi papirnatimi brisačami obrišete notranje površine in vzdolž cevi gorilnika.
- Če je stekleni vizir umazan, ga lahko previdno očistite z vlažno krpo ali suho papirnato brisačo. Pri trdovratnih madežih odstranite vizir v skladu s priloženimi navodili (korak 5.1).

6.2 Čiščenje zunanosti

- Zunanji del ohišja peči Koda 2 Max lahko obrišete s toplo milnico in takoj posušite. Izogibajte se abrazivnim čistilnim sredstvom ali tistim z močnimi kemikalijami.
- Takoj jo osušite in pokrijte s pokrivalom Koda 2 Max Cover.

6.3 Čiščenje kamnov za pico

! **nikoli** ne uporabljajte kemičnih čistil ali mil. Kamnov za pico **nikoli** ne izpostavljajte vodi.

Kamnov za pico ni treba pomivati; povsem normalno je, da se njihov videz sčasoma spremeni.

- Peč naj deluje s polno močjo 45 minut prazna, ne da bi v njej pekli. Kamen za pico se bo pri visokih temperaturah očistil samodejno, morebitni ostanke ali koščki hrane pa bodo postali pepel.
- Pustite, da se peč popolnoma ohladi, nato pepel očistite s krtačo Ooni Pizza Oven Brush. Opomba: Kamni za pico v peči so simetrični in obojestranski, tako da jih lahko med uporabo obrnete (ko se ohladijo) in vsi trdovratni ostanke se pri naslednji peki ožgejo in očistijo od spodaj.

6.4 Zamenjava baterije za vžig

- Prostor baterije za vžig se nahaja v zadnji nogi.
 - Če želite odstraniti staro baterijo, odvijte pokrovček v nasprotni smeri urinega kazalca in staro baterijo zamenjajte z novo, pri čemer bodite pozorni na pola +/-.
 - Privijte pokrovček v smeri urinega kazalca.
 - Staro baterijo varno odložite med odpadke.
- i** Če peči ne boste uporabljali več kot mesec dni, odstranite baterijo.

Ko izdelek registrirate na ooni.com/warranty v 60 dneh od nakupa, brezplačno podaljšate 1-letno garancijo na 5 let.*

*Veljajo pogoji in določila

Odpravljanje težav

Težava	Možen vzrok	Rešitev
Peč se ne vžge	<ol style="list-style-type: none"> 1. Nepravilna namestitvev. 2. Nezadosten pretok plina. 3. Regulator ni bil pritrjen pravilno. 4. Pri vžigu ni iskre. 5. Vidi se iskra ali zasliši zvočni klik, vendar se plin ne vžge. 	<ol style="list-style-type: none"> 1. Preverite, ali je peč postavljena v skladu s korakom 1. 2. Prepričajte se, da plinska jeklenka vsebuje plin in je v pokončnem položaju; prazna ali skoraj prazna jeklenka lahko vpliva na zmogljivost. Preverite ali so na cevi za plin morda kje kakšne prekinitve. 3. Prepričajte se, da je regulator pravilno pritrjen na plinsko jeklenko. 4. Preverite, ali je baterija za vžig vstavljena, ali je pravilno vstavljena in ali je napolnjena (korak 1.2). Prepričajte se, da je vžigalni kabel pravilno vstavljen (korak 1.1). 5. Obrnite se na podporo za stranke podjetja Ooni. Po potrebi lahko peč prižgete tudi z vžigalico in držalom za vžigalice (korak 4.2).
Gorilnika peči se prižgeta, vendar ne ostaneta prižgana.	<ol style="list-style-type: none"> 1. Naprava za nadzor plamena (FSD) ni vklopljena. 2. Termočlen naprave FSD je umazan. 3. Termočlen naprave FSD je v okvari. 	<ol style="list-style-type: none"> 1. Natančno sledite korakom prižiganja (korak 4). Pazite, da pritisnete kontrolni gumb in ga držite vsaj 5 sekund po vžigu, da vklopite napravo za nadzor plamena (FSD). 2. Izklopite dovod plina, počakajte, da se peč ohladi, termočlen naprave FSD nežno očistite z vlažno krpo in pustite, da se popolnoma posuši, preden peč ponovno prižgete. (Za lažji dostop boste morda morali odstraniti vizir.) 3. Če s korakom 1 in 2 težave ne odpravite, se obrnite na podporo za stranke podjetja Ooni.
Moja peč se ne segreje dovolj.	<ol style="list-style-type: none"> 1. Nezadosten pretok plina. 2. Tlak plinske jeklenke/regulatorja. 3. Namestitvev in pozicioniranje peči. 4. Vremenske razmere. 5. Plinski gorilnik se ne prižiga uspešno (običajno ga spremlja glasen zvok). 6. Vizir je bil odstranjen. 	<ol style="list-style-type: none"> 1. Prepričajte se, da plinska jeklenka vsebuje plin in je v pokončnem položaju; prazna ali skoraj prazna jeklenka lahko vpliva na zmogljivost. Preverite ali so na cevi za plin morda kje kakšne prekinitve. 2. Izberite ustrezno plinsko jeklenko (korak 3) in tlak regulatorja (glede na ploščico za tehnične navedbe). 3. Glejte navodila za namestitvev (korak 1). Peč uporabljajte na območju, zaščitenem pred vetrom, ali pa jo vsaj postavite tako, da je odprtina obrnjena stran od vetra. 4. Na čas predgrevanja in najvišjo temperaturo lahko vplivata lokacija in vremenske razmere. Pričakovani čas predgrevanja prilagodite tako, da upoštevate različne okoljske pogoje. Če je bila peč izpostavljena vlagi ali mrazu, lahko predgrevanje traja dlje. Peč pokrijte z nepremočljivim pokrivalom, kamne za pico pa ob daljši neuporabi prinesite v zaprte prostore. 5. Sledite korakom za izklop plinskega gorilnika, počakajte 5 minut in nato ponovno vžgite peč (korak 4.1). 6. Pri peki brez vizirja lahko vplivate na čas predgrevanja in najvišjo temperaturo. Ponovno namestite vizir, da zagotovite želeno temperaturo.
Pretirano sajast plamen/saje na notranjosti peči in vizirju.	<ol style="list-style-type: none"> 1. Sežiganje ostankov hrane. 2. Nepravilna namestitvev ali nezdržljiva plinska jeklenka ali regulator. 3. Blokirana plinska šoba venturi. 	<ol style="list-style-type: none"> 1. Smernice za kuhanje najdete v aplikaciji Ooni. Izogibajte se uporabi prevelike količine moke za izmet pice in odstranite vse ostanke hrane, ki padejo na kamen za pico. S krtačo Ooni Pizza Oven Brush očistite kamen za pico po peki. 2. Prepričajte se, da je peč pravilno sestavljena in da uporabljate pravilno plinsko jeklenko (korak 3) in regulator (glede na ploščico za tehnične navedbe). 3. Obrnite se na podporo za stranke podjetja Ooni.
Težave pri peki		 <p>Skenirajte za prenos aplikacije Ooni, kjer najdete nasvete za pripravo pice, recepte in odpravljanje težav.</p> <p>Na našo podporo za stranke podjetja Ooni se lahko obrnete tudi prek spletne strani support.ooni.com</p>

Če težave ne odpravite, se obrnite na podporo za stranke podjetja Ooni na support.ooni.com.

Model: UU-P2B800 Ooni Koda 2 Max	I3+ (28-30/37)	I3B/P(30)	
Ooni Limited, Unit 5, Ooni Park, 189 West Main Street, Broxburn, EH52 5LH, UK	Butane	Propane	Butane, propane or their mixture
	28-30 mbar	37 mbar	28-30 mbar
Read the instructions before using this appliance. Use outdoors only. WARNING: Accessible parts may be very hot, keep young children away. Pizza oven PIN: 2575DP40644	11kw (801 g/h)	11kw (801 g/h)	
	Injector size/Marking: 1.2mm x 2 / 1.20		
	A (outdoors use only)		
	CY, GR, ES, TR	BG, CZ, DK, EE, GR, ES, FI, HR, HU, IL, IS, IT, LT, LV, NL, NO, PL, PT, RO, SA, SE, SI, SK, TR	

Bu kılavuz, fırınınızın güvenli çalışması için gerekli olan önemli bilgiler içermektedir. Ooni Koda 2 Max fırınınızı monte etmeden, kurmadan, kullanmadan veya üzerinde servis işlemi yapmadan önce bu kılavuzu tamamen okuyun. Bu talimatlara uyulmaması maddi zarara, yangına, ciddi bedensel yaralanmaya, hatta ölüme yol açabilir.

Bu kılavuzu lütfen gelecekte başvurmak üzere saklayın.

⚠ UYARI

Cihazı kullanmadan önce talimatları okuyun ve gelecekte başvurmak üzere saklayın.

Yalnızca açık havada kullanın.

Erişilebilir durumdaki parçalar çok sıcak olabilir. Küçük çocukları uzak tutun.

Bu cihaz, kullanım sırasında yanıcı maddelerden uzak tutulmalıdır.

Cihazı, kullanım sırasında başka bir yere taşımayın.

Kullandıktan sonra gaz tüpündeki gaz beslemesini kapatın.

Gaz tüpünü takarken veya değiştirirken dikkatli olun ve bu işlemi her türlü ateşleme kaynağından uzakta yapın.

Cihazın üzerinde değişiklik yapmayın.

Bu cihaz, kullanım sırasında aşırı derecede sıcak olur.

Üzerini örtmeden veya başka bir yere taşımadan önce fırının tamamen soğumasını bekleyin.

Yalnızca kontrol düğmelerini kullanarak çalıştırın. Fırın açıkken asla dış metal yüzeylere, pizza taşına veya cama dokunmayın.

Kurulum sırasında fırının ağızının rüzgârdan etkilenmeyecek bir yöne baktığından emin olun. Fırını herhangi bir yapıdan veya yanıcı malzemeden en az bir metre uzağa yerleştirin. Fırını, fırtınalı havalarda veya yoğun kar yağışı sırasında kullanmayın.

Gaz tüpünü bağlamadan önce iki kontrol düğmesini de KAPALI konumuna çevirin.

Yalnızca isim plakasında belirtilen gazları bağlayın.

Yalnızca 13 kg'ın altında, en büyük çapı 315 mm ve en büyük yüksekliği 580 mm olan tüplerle kullanın.

Gaz hortumu, en fazla 1,5 m uzunluğunda ve EN16436 sertifikalı olmalıdır.

Herhangi bir zamanda gaz kokusu alırsanız gaz tüpünü veya dedantör vanasını kapatın, fırının üzerindeki kontrol düğmelerini KAPALI konuma getirin ve varsa açık alevleri söndürün.

Fırını kullanırken veya fırının yakınında dururken bol giysiler giymeyin.

Yedek gaz tüplerini asla fırının altında veya yakınında saklamayın.

Asla çıplak alevle kaçak kontrolü yapmayın veya test sırasında brülörleri ateşlemeye çalışmayın.

Fırını yakarken yan tarafta durun. Asla doğrudan fırının ağızına veya aleve bakmayın.

Pizza taşı yüzeyinde asla kimyasal temizlik maddeleri veya kimyasal sabunlar kullanmayın.

Çatlamasına neden olabileceğinden pizza taşının üzerine asla su dökmeyin.

Fırını kullanırken ve özellikle sıcak pişirme aletleriyle çalışırken ısıya karşı koruyucu eldiven takın.

Fırın sıcakken veya kullanılırken asla temizlik ya da bakım yapmaya çalışmayın.

Fırının herhangi bir parçasını temizlemek için aşındırıcı temizlik maddeleri veya bulaşık süngeri kullanmayın.

Yalnızca Ooni onaylı veya resmi aksesuarları ve yedek parçaları kullanın. Kullanmazsanız yaralanma veya fırınınızın ya da mülkünüzün hasar görmesi söz konusu olabilir.

Fırın anormal şekilde çalışıyorsa fırını kapatın ve Ooni destek ekibiyle iletişime geçin.

Gaz hortumunu, hasarlıysa veya ülkedeki kurullarca zorunlu tutulduğunda değiştirin.

Cihazın sızdırmazlığı sağlanmış sistemleri üzerinde değişiklik yapılmamalıdır.

Kenarlar keskin olabileceğinden, fırını kullanırken veya temizlerken dikkatli olun.

Prvi koraki

o Kaj je v škatli:

a	Peč Ooni Koda 2 Max	i	Digitalni regulator temperature
b	Kamen za pico (x2)	j	Montažni nosilec
c	Sprednja noga (x2)	k	Narebrena matica
d	Zadnja noga	l	Kabel temperature okolice (x2)
e	Baterija AA za vžig	m	Sonda za hrano (x2)
f	Ključ torx	n	Baterije AA (x2)
g	Vijaki M5 (x10)	o	Vijaki nosilcev
h	Držalo za vžigalice		
	Navodila za montažo Koda 2 Max		Navodila za sestavljanje digitalnega regulatorja temperature

⚠ **DİKKAT:** Fırınınız çok ağırdır ve kaldırmak, monte etmek ve konumlandırmak için iki kişi gerekir.

Fırını pizza taşları yerindeyken **KALDIRMAYIN**.

Fırını **HER ZAMAN** tabanın alt tarafından tutun, **ASLA** üst kabuğun iç kısmından tutmayın.

1 Kurulum ve montaj

- Kurulum için uygun bir konum ve yüzey seçin.
 - Ooni Büyük Modüler Masa ya da başka bir sağlam metal veya ahşap yüzey, fırını desteklemek için idealdir. Fırınınızı plastik veya cam masaların üzerine kurmayın. Her zaman masanın fırının ağırlığına dayanabileceğinden emin olun.
 - Yüzey, fırının ağızının rüzgârdan etkilenmeyeceği bir yöne bakmasına izin vermeli ve herhangi bir yapıdan veya yanıcı malzemeden bir metre uzakta olmalıdır.
 - Fırını, pizza taşı yerden 1,1 m yükseklikte duracak şekilde yerleştirmenizi öneririz.
- Kapağı kaldırarak kutudan çıkarın ve yakın bir yere baş aşağı şekilde yerleştirin.
- Kutunun dış orta bölümünü fırının kenarlarını koruyan ambalajın açılmasına izin verecek şekilde yukarıya kaldırarak uzaklaştırın.
- Fırını başka bir kişinin yardımıyla dikkatlice kaldırın ve üst kısmı korumak için kutunun kapağının üzerine baş aşağı şekilde yerleştirin. Fırının tüm ambalajlarını mutlaka çıkarın.
- Fırın ayaklarını, Dijital Sıcaklık Merkezi'ni, pizza taşlarını ve monte edilecek diğer parçaları çıkarmak için kutunun içindeki karton ayracı kaldırın.

1.1 Bacakların takılması

- Fırınla birlikte verilen tornavidayı kullanarak arka ayağı 4 adet M5 vidayla tabana takın.
- Ateşleme pili kablosunu fırının tabanında, ayağın yanında yer alan sokete takın.
- İki ön ayağın her birini 3 adet M5 vida kullanarak takın.

1.2 Ateşleme pilinin takılması

- Ateşleme pili bölmesi arka bacağın içinde yer alır.
 - Kapağı saat yönünün tersine doğru çevirerek sökün ve verilen AA pili +/- yönlerine dikkat ederek takın.
 - Kapağı saat yönünde çevirerek geri takın.



1.3

Takmak için Dijital Sıcaklık Merkezi montaj talimatlarına uyun.

1.4 Pizza taşlarının yerleştirilmesi

- Pizza taşları ağırdır. Parmaklarınızı sıkıştırmamak için dikkatli olun.
 - Fırınınız baş aşağı durumdaysa: İkinci bir kişinin yardımıyla fırını dikkatlice dik konuma getirin ve ardından istediğiniz yere yerleştirin.
 - İlk pizza taşını iki elinizi kullanarak dikkatlice kaldırın ve yuvarlak köşesi fırının arka köşesine bakacak şekilde yerleştirin. Pizza çıkıntısını çizmemek için dikkatli olun ve pizza taşını kaydırarak yerine yerleştirin.
 - İki elinizi birden kullanarak ikinci pizza taşını alın ve işlemi diğer tarafta tekrarlayın.
 - Pizza taşlarından herhangi birini çıkarmak için pizza taşının ön kısmı elinizle kavrayıp kaydırarak dışarı çıkarmanıza yetecek kadar eğim alıncaya kadar fırının tabanındaki delikten yukarıya doğru itmek üzere bir elinizi kullanın. Pizza taşlarını **asla** sıcakken çıkarmaya çalışmayın.

2 Gaz hortumunun takılması (gerekirse)

- Fırınınız, satın aldığınız bölgede bulunan gaz kaynağına en uygun gaz hortumu ve dedantör ile birlikte sağlanır. Başka bir gaz tüpünüz varsa Ooni destek ekibiyle iletişime geçin.
 - Hortumu kancanın üzerine doğru itin.
 - Kelepçeyi hortumun üzerine kaydırın.
 - Kelepçeyi uygun tornavidayla sıkın.

3 Gazın bağlanması

- ! Gaz tüpünü bağlamadan önce iki kontrol düğmesini de KAPALI konumuna çevirin.

! UYARI

Yalnızca 13 kg'ın altında, en büyük çapı 315 mm ve en büyük yüksekliği 580 mm olan tüplerle kullanın.

Gaz tüpünü takarken veya değiştirirken dikkatli olun ve bu işlemi her türlü ateşleme kaynağından uzakta yapın.

Cihaz ve gaz tüpü arasında en az 635 mm mesafe olmalıdır.

Yalnızca isim plakasında belirtilen gazları bağlayın.

Geçmeli dedantör

Bu geçmeli bir gaz bağlantısıdır. Siyah düğmenin yatay konumda olduğundan emin olun, ardından siyah düğmenin altında bulunan düğmeye basın. Dedantörü yerine oturup kilitlenene kadar gaz tüpü vanasının üzerine doğru itin.

Ayarlı dedantör

Bu, saat yönünün tersine doğru dişlere sahip bir gaz bağlantı elemanıdır. Gaz tüpü vanasının tamamen KAPALI olduğundan emin olun, ardından dedantörü kadar çevirerek gaz tüpü vanası bağlantı elemanına takın ve sıkın.

3.1 Gaz tüpünün bağlanması

- Gaz tüpü vanası KAPALI konumda olmalıdır.
- Fırın kontrol düğmelerinin de KAPALI konumda olduğundan emin olun.
- Vana bağlantılarını, portu ve dedantör tertibatını kontrol edin. Her türlü kiri temizleyin ve hortumda hasar olup olmadığını kontrol edin.
- Tırtıllı somunu saat yönünün tersine doğru çevirerek dedantörü vananın üzerine itin ve dedantör tertibatını vanaya bağlayın.
- Dedantörün üzerindeki siyah düğmeyi saat yönünün tersine doğru çevirerek tüp vanasını tamamen açın.

3.2 Kaçak testi

- Bir bağlantı elemanını yeniden bağladığınız her seferde veya gaz tüpünü değiştirdiğinizde, kaçak belirleme spreyi veya bulaşık deterjanı ve su çözeltisi kullanarak, gaz kaçağı olup olmadığını kontrol edin.
- Çözeltiyi bağlantılara ve dedantöre uygulamak için bir fırça veya sprey şişesi kullanın. Gaz hortumunu inceleyin ve çözeltiyi bulduğunuz çatlaklara uygulayın.
- Kaçak varsa çözelti kabarcıklar çıkarır. Hortum bağlantı elemanında kaçak görürseniz bağlantı elemanını sıkın ve kaçak olup olmadığını yeniden kontrol edin. Kaçak devam ederse veya kaçak hortumdaki bir çatlaktan kaynaklanıyorsa varsa fırını **çalıştırmayın**. Yardım için Ooni destek ekibine başvurun.
- Kaçak tespit ederseniz fırını **çalıştırmayın**; gaz tüpünü çıkarın. Fırında veya hortumda kaçak tespit ederseniz Ooni destek ekibiyle iletişime geçin. Gaz tüpü vanasında kaçak tespit ederseniz gaz tedarikçinizle iletişime geçin.

- ! Yedek dedantörler EN16129, hortumlar ise 1,5 m uzunlukla EN16436 sertifikalı olmalıdır.

3.3 Gaz tüpünün bağlantısının kesilmesi

- Gaz brülörü kontrol düğmelerini KAPALI konumuna çevirin.
- Dedantörün üzerindeki siyah düğmeyi saat yönünde çevirin.
- Dedantörü gaz tüpünün üstünden kurtarmak için dedantörün üzerindeki düğmeye basın.
- Gaz tüpü kullanılmadığında, toz kapağını açıkta kalan gaz tüpü vanasının üzerine yerleştirin.

! UYARI

Herhangi bir zamanda gaz kokusu alırsanız gaz tüpünü veya dedantör vanasını kapatın, fırının üzerindeki kontrol düğmelerini KAPALI konuma getirin ve varsa açık alevleri söndürün.

Asla çıplak alevle kaçak kontrolü yapmayın veya test sırasında brülörleri ateşlemeye çalışmayın.

4 Koda 2 Max'i yakma

! UYARI

Fırını yakarken yan tarafta durun. Asla doğrudan fırının ağızına veya aleve bakmayın.

Brülörlerden biri beklendiği gibi ateşlenmezse sorun giderme kılavuzuna bakın. Gazı kapatın ve tekrar yakmayı denemeden önce 5 dakika bekleyin.

Yalnızca kontrol düğmelerini kullanarak çalıştırın; fırın açıkken asla dış metal yüzeylere, pizza taşına veya cama dokunmayın.

Fırını kullanırken ve özellikle sıcak pişirme aletleriyle çalışırken ısıya karşı koruyucu eldiven takın.

4.1 Ateşleme

- i Sol düğme sol brülörü, sağ düğme ise sağ brülörü kontrol eder.

- Gazı kıvılcımla yakmak için düğmeyi saat yönünün tersine doğru yavaşça döndürürken kontrol düğmelerinden birini basılı tutun. Yandıktan sonra alevi sürdürmek için 5 saniye boyunca basılı tutmaya devam edin.
- Gazın tuttuğundan emin olun.
 - Tutuştıysa adım 4.3'e gidin.
 - Brülör ateşlenmezse KAPALI konumuna geçin, 5 dakika bekleyin ve ardından tekrar deneyin.
 - İkinci denemeden sonra brülör ateşlenmezse KAPALI konumuna geçin, 5 dakika bekleyin ve ardından adım 4.2'yi izleyin.
- Ateşleme düzgün yapıldıysa alevler resimdeki gibi görünmelidir.
- Brülörlerden birini veya ikisini birden yanlışlıkla söndürürseniz lütfen sorun giderme bölümüne bakın.

4.2 Fırının kibrit tutacağı ile yakılması

- ! Yakarken asla doğrudan fırına bakmayın; her zaman kenarda durun ve işlem boyunca eldiven takın.

i Brülörleri, kontrol düğmeleriyle yapılan birkaç denemeden sonra yanmazlarsa kibritle yakabilirsiniz. Fırınla birlikte verilen kibrit tutacağı, kontrol panelinin karşı tarafında, tabana takılıdır.

- Brülörleri kontrol düğmelerini kullanarak yakmayı zaten denediyseniz KAPALI konumuna geçin ve gazın dağılması için 5 dakika bekleyin.
- Kibrit tutacağına bir kibrit yerleştirin, kibriti yakın ve fırının ağızından brülörlerden birine dokundurun.
- Brülörün ilgili kontrol düğmesine basın ve yavaşça sonuna kadar çevirin. Brülör hemen ateşlenmelidir.
- Ateşlemeden sonra kontrol düğmesine 5 saniye boyunca basmaya devam edin, ardından bırakın.
- Brülör birkaç saniye içinde yanmazsa kontrol düğmesini KAPALI konumuna getirin, 5 dakika bekleyin ve ardından tekrar deneyin.

4.3 Gaz brülörlerinin kullanılması

- İlgili alevi ve sıcaklığı gerektiği gibi ayarlamak için kontrol düğmesini çevirin.
 - Gaz brülörü KAPALI.
 - Gaz brülörü **en yüksek** aleve ayarlı.
 - Gaz brülörü **en düşük** aleve ayarlı.
- İkinci brülörü yakmak için işlemi tekrarlayın (4.1'den başlayarak).
- Kapatmak için kontrol düğmesini **içeri itin** ve durana ve ilgili alev sönene kadar saat yönünde çevirin.

4.4 Fırınınızın pişirmeye hazırlanması

- i Fırınınızı ilk pişirmeden önce hazırlamanız gerekir.

! Elinizi fırının içine sokarken her zaman eldiven takın.

- Bunu yapmak için fırını 30 dakika boyunca en yüksek sıcaklıkta çalıştırın.
- Fırını kapatın ve tamamen soğumasını bekleyin, ardından içini kuru kağıt havluyla silin.

4.5 Fırının kapatılması

- Fırını hazırlama veya pişirme işleminden sonra kapatmak için kontrol düğmesine basın ve durup ilgili alev sönene kadar saat yönünde çevirin. İşlemi iki brülör için de tekrarlayın.
- Gaz beslemesini kapatın ve dedantörü çıkarın.

4.6 Fırınızdaki pişirme işlemi

- Fırını ve pizza taşlarını en az 30 dakika boyunca önceden ısıtmak için iki brülörü de tam güçte açın.
 - Pizza ve diğer kuru, ekmeğe türevi yiyecekleri yalnızca doğrudan pizza taşının üzerinde pişirin. Et, sebze veya diğer yemekleri pişirmek için Ooni Dökme Demir ve Ooni Tavalara ürün yelpazesini veya diğer Ooni tarafından onaylanan pişirme aksesuarlarını kullanın.
 - Fırın, farklı pizza stillerini pişirebilmek için fırının yalnızca bir tarafını, aynı sıcaklıkta iki tarafını birden veya farklı sıcaklıklarda iki tarafını birden pişirmenizi sağlayan iki bağımsız brülörle donatılmıştır.
- !** Pizza taşının üzerine düşen yiyecek kalıntılarını temizlemek için fırının içine **asla** uzanmayın. Yanmaya bırakın, ardından fırın soğuduktan sonra çıkarın. Ek ipuçları için bu kılavuzun bakım bölümündeki pizza taşı temizleme prosedürüne bakın.
- i** Pizza taşı sıcaklığını doğru bir şekilde ölçmek için bir Ooni Dijital Kızılötesi Termometre kullanmanızı kesinlikle öneririz. Pizza taşınız fırının içindeki havadan daha yavaş ısınır. (Harika bir pizza pişirmek için ikisinin dengesine ihtiyacınız vardır.) Bu nedenle, pizza taşı ve hava sıcaklıklarının yakın bir aralıkta olmasını sağlamak için bir Ooni Dijital Kızılötesi Termometre'nin yanı sıra Dijital Sıcaklık Merkezi'ni kullanmak önem taşır.
- i** Koda 2 Max ile pişirme hakkında bilmeniz gereken her şey için Ooni uygulamasını indirin.

5 Gözlem camının takılması (gerekirse)



Video talimatlar için tarayın

- !** Koruyucu eldiven takın ve fırınınızın soğuduğundan emin olun.
- Vidayı saat yönünün tersine doğru gevşetmek için Torx anahtarını kullanarak menteşeyi açın.
 - İki elinizi kullanarak gözlem camının sağ tarafını fırının ağızının sağ üst kısmındaki U şeklindeki braketin içine doğru yönlendirin.
 - Gözlem camının sol tarafını sol menteşedeki girintiye yerleştirin.
 - Sol başparmağınızı menteşenin altına yerleştirin ve fırının gövdesine yaslanana kadar hafifçe yukarı doğru itin. Menteşeyi bu konumda tutun.
 - Vidayı saat yönünde sıkmak için Torx anahtarını kullanın ve menteşeyi kilitleyin.
 - Menteşenin yerine kilitlendiğinden emin olun.

5.1 Gözlem camının çıkarılması

Fırında büyük parçaları derinlemesine temizlemek veya pişirmek amacıyla gözlem camını çıkarmak için şu adımları izleyin:

- !** Koruyucu eldiven takın ve fırınınızın soğuduğundan emin olun.
- Menteşeyi desteklemek için sol başparmağınızı vidanın üzerine yerleştirin.
 - Vidayı saat yönünün tersine doğru gevşetmek için Torx anahtarını kullanarak menteşenin kilidini açın.
 - Sol başparmağınızı kullanarak menteşeyi yavaşça indirin, bu da gözlem camının alçalmasını sağlar.
 - Gözlem camının sol tarafını dikkatlice kaldırmak için iki elinizi kullanın ve gözlem camını öne doğru çekerek sağ braketten çıkarın.
 - Menteşeyi kapatmak için sol başparmağınızı menteşenin altına yerleştirin ve fırının gövdesine yaslanana kadar hafifçe yukarı doğru itin. Menteşeyi yerinde tutun ve kilitlemek için vidayı saat yönünde çevirin.
 - Menteşenin yerine kilitlendiğinden emin olun.

6 Bakım ve tutum talimatları

⚠ UYARI

Fırın sıcakken veya kullanılırken asla temizlik ya da bakım yapmaya çalışmayın.

Fırını temizlerken her zaman eldiven takın.

Fırının herhangi bir parçasını temizlemek için aşındırıcı temizlik maddeleri veya bulaşık süngeri kullanmayın.

Boyalı yüzeylerde kimyasal temizlik maddeleri kullanmayın.

Kenarlar keskin olabileceğinden, fırının içini temizlerken dikkatli olun.

Fırını açık havada saklarken her zaman üzerini örtün.

6.1 İç kısmın temizlenmesi

- Her kullanımdan sonra fırını kapatın ve iç yüzeyler ile brülör borularının yanlarını kuru kağıt havluyla silmeden önce fırının tamamen soğumasını bekleyin.
- Gözlem camı kirliyse nemli bir bez veya kuru kağıt havlu kullanarak dikkatlice temizleyebilirsiniz. İnatçı lekelerde, gözlem camını verilen talimatlara (Adım 5.1) göre çıkarın.

6.2 Dış kısmın temizlenmesi

- Koda 2 Max'in dış kabuğu ılık, sabunlu suyla silinebilir ve hemen kurutulabilir. Aşındırıcı temizlik ürünlerinden veya sert kimyasallar içeren ürünlerden kaçınınız.
- Hemen kurulayın ve Koda 2 Max Kılıfı ile örtün.

6.3 Pizza taşlarının temizlenmesi

- !** Pizza taşlarının üzerinde **asla** kimyasal temizlik maddeleri veya kimyasal sabunlar kullanmayın. Pizza taşlarınızı **asla** suya maruz bırakmayın.

Pizza taşlarını yıkamaya gerek yoktur; görünümünün zamanla değişmesi tamamen normaldir.

- Fırını içinde pişirme işlemi yapmadan önce 45 dakika boyunca tam güçte çalıştırın. Pizza taşı yüksek sıcaklıklarda kendi kendini temizler ve her türlü yiyecek kalıntısı veya kir küle dönüşür.
- Fırının tamamen soğumasını bekleyin, ardından külü bir Ooni Pizza Fırını Fırçası ile temizleyin. Not: Fırınızdaki pizza taşları simetrik ve çift taraflıdır, böylece kullanımlar arasında (soğuduktan sonra) ters çevirebilir ve sonraki pişirme işleminde altlarındaki inatçı kalıntıları yakabilirsiniz.

6.4 Ateşleme pilinin değiştirilmesi

- Ateşleme pili bölmesi arka bacağın içinde yer alır.
 - Eski pili çıkarmak için kapağı saat yönünün tersine doğru çevirerek çıkarın ve +/- yönlerine dikkat ederek yeni bir pille değiştirin.
 - Kapağı saat yönünde çevirerek geri takın.
 - Eski pili güvenli bir şekilde bertaraf edin.
- i** Fırını bir aydan fazla süreyle depolayacaksanız pili çıkarın.

Ürününüzü satın alma tarihinden itibaren 60 gün içinde [ooni.com/warranty](https://www.ooni.com/warranty) adresinde kaydettiğinizde 1 yıllık garantinizi ücretsiz olarak 5 yıla* uzatabilirsiniz.*

*Hüküm ve koşullar geçerlidir

Sorun giderme

Sorun	Olası Neden	Çözüm
Fırınım ateşleme yapmıyor	<ol style="list-style-type: none"> Yanlış kurulum. Yetersiz gaz akışı. Dedantörün yanlış takılması. Ateşlemeden kıvılcım çıkmaması. Kıvılcım veya duyulabilir tık sesi var ancak gaz tutuşmuyor. 	<ol style="list-style-type: none"> Fırının 1. adıma göre kurulduğundan emin olun. Gaz tüpünün yakıt içerdiğinden ve dik konumda olduğundan emin olun; boş veya azalmış bir tüp performansı etkileyebilir. Gaz hortumunda bükülme olup olmadığını kontrol edin. Dedantörün gaz tüpüne düzgün şekilde takıldığından emin olun. Ateşleme pilinin yerinde olduğundan, doğru takıldığından ve şarjlı olduğundan emin olun (adım 1.2). Kıvılcım kablosunun doğru takıldığından emin olun (adım 1.1). Lütfen Ooni müşteri destek ekibiyle iletişime geçin. Gerekirse bir kibrit ve kibrit tutacağı (adım 4.2) ile de yakabilirsiniz.
Fırının brülörleri tutuşuyor ama yanmaya devam etmiyor.	<ol style="list-style-type: none"> Alev Denetleme Cihazı (FSD) devreye girmemiştir. FSD termokupl kirlidir. FSD termokupl arızalıdır. 	<ol style="list-style-type: none"> Yakma adımlarına (4. adım) dikkatlice uyun. Alev Denetleme Cihazı'nı (FSD) devreye sokmak için ateşlemeden sonra kontrol düğmesini mutlaka en az 5 saniye boyunca basılı tutun. Gaz beslemesini kapatın, fırının soğumasını bekleyin, FSD termokuplunu nemli bir bezle yavaşça temizleyin ve yeniden yakmadan önce tamamen kurumasını bekleyin. (Daha kolay erişim için gözlem camını çıkarmanız gerekebilir.) 1. ve 2. adımlar sorunu gidermezse Ooni müşteri destek ekibiyle iletişime geçin.
Fırınım yeterince ısınmıyor.	<ol style="list-style-type: none"> Yetersiz gaz akışı. Gaz tüpü/dedantör basıncı. Fırının kurulumu ve konumlandırılması. Hava koşulları. Gaz brülörü arkadan başlayarak yanıyor (genellikle yüksek bir ses eşlik ediyor). Gözlem camı çıkarılmıştır. 	<ol style="list-style-type: none"> Gaz tüpünün yakıt içerdiğinden ve dik konumda olduğundan emin olun; boş veya azalmış bir tüp performansı etkileyebilir. Gaz hortumunda bükülme olup olmadığını kontrol edin. Uygun bir gaz tüpü (3. adım) ve dedantör basıncı (isim plakasına göre) seçin. Kurulum talimatlarına (1. adım) bakın. Fırını rüzgâra karşı korunaklı bir alanda kullanın veya en azından ağız rüzgârdan etkilenmeyecek şekilde konumlandırın. Ön ısıtma süresi ve en yüksek sıcaklık, konumdan ve hava koşullarından etkilenebilir. Beklenen ön ısıtma süresini değişen ortam koşullarını hesaba katacak şekilde ayarlayın. Fırınınız neme veya soğuğa maruz kaldıysa ön ısıtma daha uzun sürebilir. Su geçirmez bir örtünün altında saklayın ve uzun süre kullanılmayacak pizza taşlarını içeride bir yere koyun. Gaz brülörünü kapatma adımlarını izleyin, 5 dakika bekleyin ve ardından fırını yeniden ateşleyin (adım 4.1). Gözlem camı olmadan pişirme sırasında ön ısıtma süresi ve en yüksek sıcaklık bu durumdan etkilenebilir. Gerekli sıcaklıklara ulaşılmasını sağlamak için gözlem camını takın.
Fırının iç kısmında ve gözlem camında aşırı isli alev/kurum.	<ol style="list-style-type: none"> Yanan yiyecek artıkları. Yanlış kurulum ya da uyumsuz gaz tüpü veya dedantör. Tıkanmış gaz difüzörü. 	<ol style="list-style-type: none"> Pişirme yönergeleri için Ooni uygulamasına bakın. Pizzanızı fırının içine atmak için çok fazla un kullanmaktan kaçının ve pizza taşının üzerine düşen yiyecek artıklarını temizleyin. Pişirme işlemleri arasında pizza taşını temizlemek için bir Ooni Pizza Fırını Fırçası kullanın. Fırınınızın doğru şekilde monte edildiğinden ve doğru gaz tüpü (3. adım) ile dedantör (isim plakasına göre) kullandığınızdan emin olun. Ooni müşteri destek ekibiyle iletişime geçin.
Pişirme Sorunları		 <p>Pizza ipuçları, tarifler ve sorun giderme için Ooni uygulamasını indirmek üzere tarayın.</p> <p>Ayrıca support.ooni.com adresinden Ooni müşteri destek ekibimizle de iletişime geçebilirsiniz.</p>

Sorun devam ederse lütfen support.ooni.com adresinden Ooni müşteri destek ekibiyle iletişime geçin.

Model: UU-P2B800 Ooni Koda 2 Max	I3+ (28-30/37)	I3B/P(30)	
Ooni Limited, Unit 5, Ooni Park, 189 West Main Street, Broxburn, EH52 5LH, UK	Butane	Propane	Butane, propane or their mixture
	28-30 mbar	37 mbar	28-30 mbar
Read the instructions before using this appliance. Use outdoors only. WARNING: Accessible parts may be very hot, keep young children away. Pizza oven PIN: 2575DP40644	11kw (801 g/h)	11kw (801 g/h)	
	Injector size/Marking: 1.2mm x 2 / 1.20		
	A (outdoors use only)		
	CY, GR, ES, TR	BG, CZ, DK, EE, GR, ES, FI, HR, HU, IL, IS, IT, LT, LV, NL, NO, PL, PT, RO, SA, SE, SI, SK, TR	

